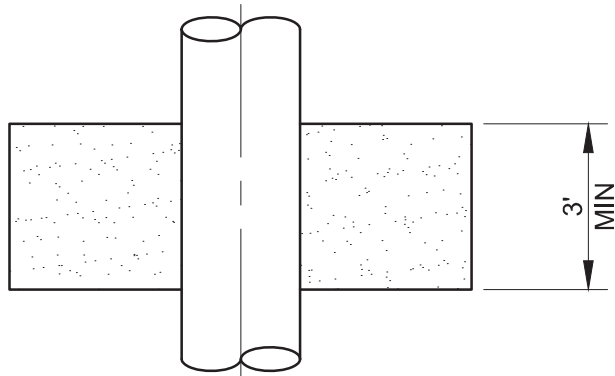
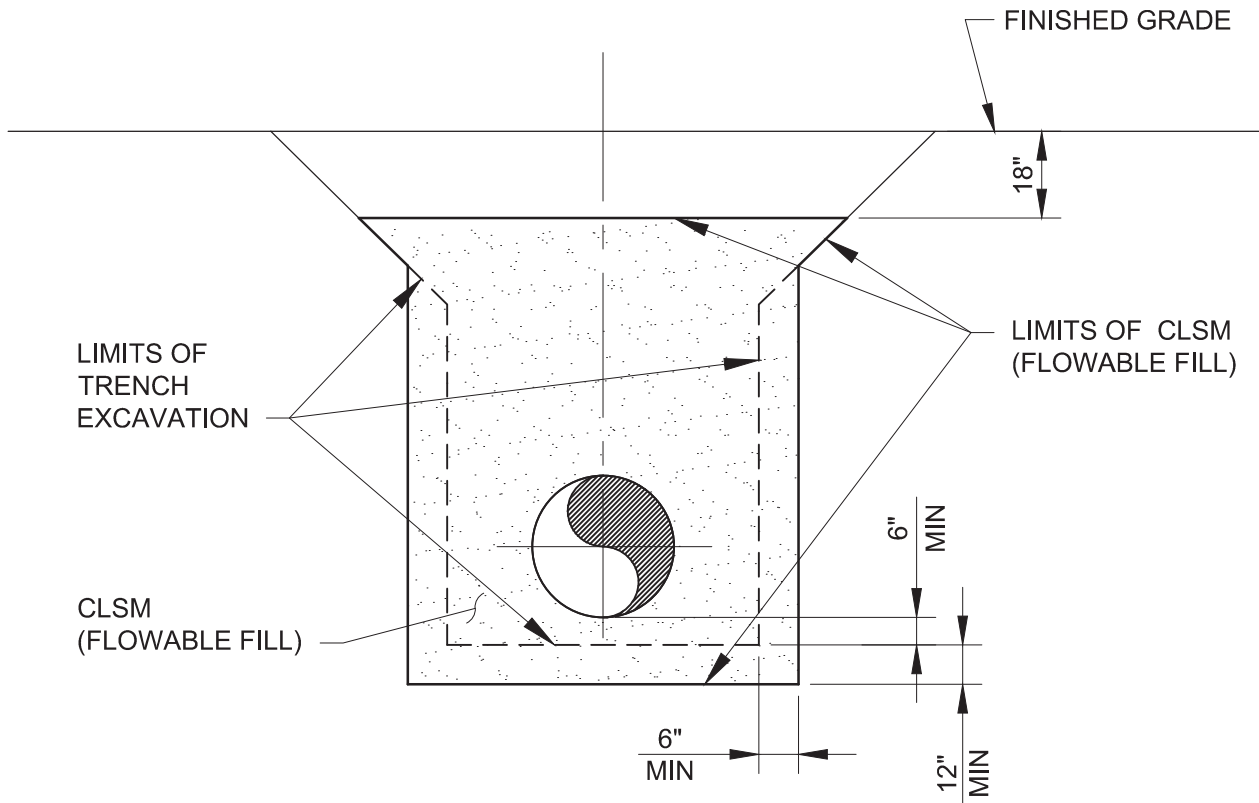


- NOTES:**
- TRENCH ZONE**  
 WATER MAIN, FIRE LINE, AND APPURTENANCES:  
 BACKFILL AND COMPACT PER PCMC DESIGN STANDARDS AND CONSTRUCTION SPECIFICATIONS UNLESS OTHERWISE REQUIRED BY SPECIAL CONDITIONS  
 WATER SERVICE - NEW PAVEMENT AND LANDSCAPE AREA:  
 BACKFILL AND COMPACT PER PCMC DESIGN STANDARDS AND CONSTRUCTION SPECIFICATIONS UNLESS OTHERWISE REQUIRED BY SPECIAL CONDITIONS  
 WATER SERVICE - EXISTING ROADWAY AND PAVED AREA:  
 BACKFILL TO PAVEMENT DEPTH WITH CONTROLLED LOW-STRENGTH MATERIAL (CLSM), "FLOWABLE FILL", 100 PSI MINIMUM AND 150 PSI MAXIMUM MIX DESIGN.
  - PIPE ZONE**  
 BACKFILL MATERIAL SHALL BE TAMPED IN LAYERS AROUND THE PIPE AND TO A SUFFICIENT HEIGHT ABOVE THE PIPE TO ADEQUATELY SUPPORT AND PROTECT THE PIPE. THE MATERIAL AND BACKFILL ZONES SHALL BE AS SPECIFIED BY THE APPLICABLE AWWA STANDARD FOR THAT PIPE TYPE. DO NOT DROP PIPE OR ACCESSORIES INTO THE TRENCH. AS A MINIMUM:  
 WATER MAIN, FIRE LINE, AND APPURTENANCES:  
 SAND OR 3/4" MAXIMUM PARTICLE SIZE ROADBASE COMPACT TO 96% OF MODIFIED PROCTOR DENSITY  
 WATER SERVICE:  
 SAND COMPACTED TO 96% OF MODIFIED PROCTOR DENSITY
  - PIPE BEDDING**  
 WATER MAIN, FIRE LINE, AND APPURTENANCES:  
 SAND OR 3/4" ROADBASE COMPACT TO 96% OF MODIFIED PROCTOR DENSITY  
 WATER SERVICE:  
 SAND COMPACTED TO 96% OF MODIFIED PROCTOR DENSITY  
 A CONTINUOUS AND UNIFORM BEDDING SHALL BE PROVIDED IN THE TRENCH FOR ALL BURIED PIPE. STONES LARGER THAN 3/4" AS DESCRIBED IN NOTE 2 SHALL BE REMOVED FOR A DEPTH OF AT LEAST 6 INCHES BELOW THE BOTTOM OF THE PIPE.
  - PROVIDE TRENCH PLATING AS REQUIRED FOR CLSM BACKFILL INSTALLATIONS
  - COMPLY WITH APPLICABLE PARK CITY SOILS ORDINANCE REQUIREMENTS

 PARK CITY MUNICIPAL CORPORATION <b>WATER</b>	DATE	<b>WATER TRENCH BEDDING AND BACKFILL</b>	STD. PLAN
	6/2019		<b>580</b>
	REV.		
	1		



**PLAN**  
NTS



**SECTION**  
NTS

**NOTES:**

1. CLSM - CONTROLLED LOW STRENGTH MATERIAL, DESIGN MIX 100-150 PSI



PARK CITY MUNICIPAL CORPORATION  
**WATER**

DATE

3/2014

REV.

0

**WATER TRENCH  
CUT-OFF WALL**

STD. PLAN

**581**