

EXTENSION STEM

NOTES:

1. REFER TO STD. PLAN 570 S FOR LEGEND ITEMS, APPROVED PARTS LIST, AND DETAIL NOTES.

 <p>PARK CITY MUNICIPAL CORPORATION WATER</p>	DATE	BURIED VALVE AND VALVE BOX	STD. PLAN
	3/2014		570
	REV.		
	0		

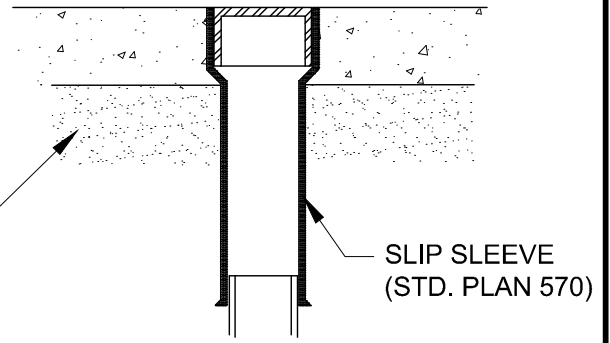
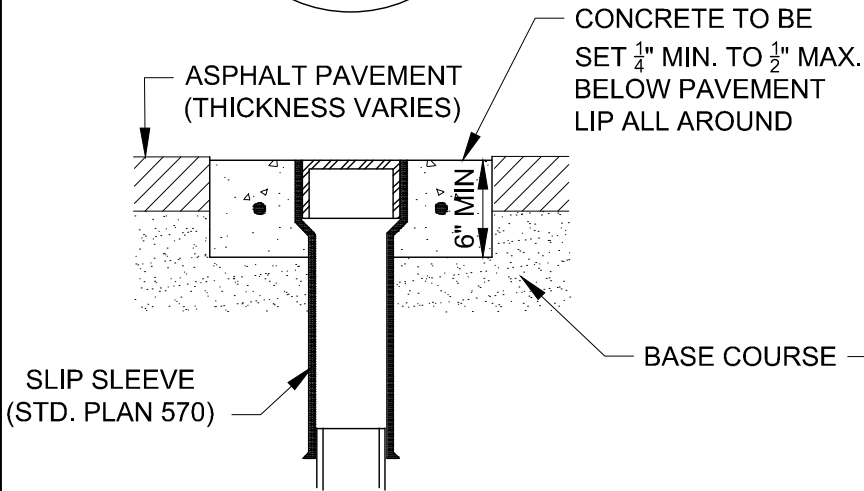
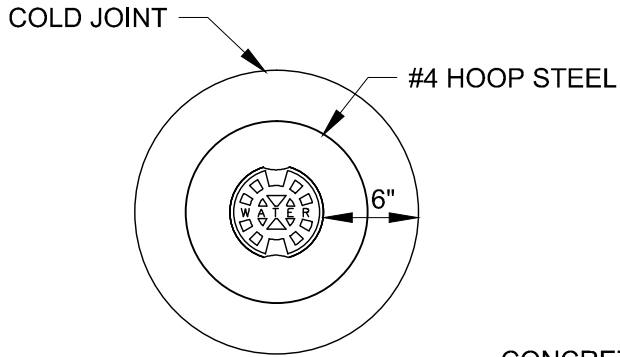
LEGEND AND APPROVED PARTS LIST

ITEM	DESCRIPTION	ACCEPTABLE MANUFACTURER	MODELS
①	BUTTERFLY VALVE, NRS, AWWA C504 CLASS 250B, 250 PSI, SST BONNET BOLTS, FLANGED END CONNECTIONS	MUELLER	LINESEAL XP11, 5227 SERIES
		CLOW	MODEL 4500
②	GATE VALVE, NRS, AWWA C509, 250 PSI, SST BONNET BOLTS, END CONNECTIONS PER FOLLOWING: ON TEES: FLG x FLG IN-LINE VALVES: MJ x MJ OTHERS: MJ x MJ, OR PER DESIGN	MUELLER	SERIES 2360
		CLOW	MODEL 2639
③	POLYETHYLENE ENCASUREMENT, HIGH DENSITY CROSS LAMINATED (HDCL) POLYETHYLENE FILM, AWWA C105 & AWWA C703E METHOD C	CHRISTY'S OR APPROVED EQUAL	AWWA C703E METHOD C (4 MIL)
④	VALVE BOX, CAST IRON, TWO PIECE, SLIP TYPE WITH CAST IRON DROP-IN COVER MARKED AS FOLLOWS: ISOLATION VALVE: "WATER" BUTTERFLY VALVE: "BFV" ZONE VALVE: "ZONE" FIRE LINE VALVE: "FIRE" VALVE BOX RISER: LIMIT ONE PER VALVE BOX	D&L SUPPLY OR APPV'D EQUAL	BOX AND LID: M-8042 RISER: M-8049 THRU M-8055 EXTENSION: M-8070

DETAIL NOTES

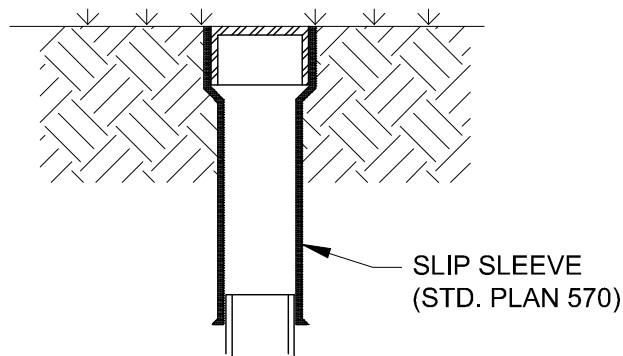
1. VALVES TO BE RATED FOR WORKING AND TEST PRESSURE OF WATER MAIN
2. PROVIDE FUSION BONDED EPOXY COATING ON GATE VALVE AND BUTTERFLY VALVE INTERIOR AND EXTERIOR
3. PROVIDE 316 SST BOLTS AND NUTS WITH ANTI-SEIZE LUBRICANT ON FLANGED CONNECTIONS
4. DO NOT LOCATE VALVE AND VALVE BOX WITHIN CURB OR GUTTER
5. CENTER VALVE BOX ON VALVE OPERATING NUT
6. SET VALVE BOX PLUMB WITHOUT DEFLECTIONS IN VALVE BOX JOINTS
7. PROVIDE ADDITIONAL SLIP BASE FOR VALVE BOX ON 7' BURY WATER MAIN
8. APPLY WAX TAPE COATING SYSTEM TO VALVE BONNET BOLTS AND ALL OTHER BURIED BOLTS AND NUTS, AWWA C217. SYSTEM TO INCLUDE FILLER MATERIAL, TAPE COATING, AND PROTECTIVE OUTERWRAP. DENSO NORTH AMERICA, TRENTON, OR APPROVED EQUAL (STD. PLAN 534)

 PARK CITY MUNICIPAL CORPORATION WATER	DATE	<h2 style="margin: 0;">BURIED VALVE AND VALVE BOX</h2>	STD. PLAN
	4/2014		570 S
	REV.		



ASPHALT PAVEMENT

CONCRETE PAVEMENT



LANDSCAPED AREA



PARK CITY MUNICIPAL CORPORATION
WATER

DATE

3/2014

REV.

0


**VALVE BOX
COLLAR**

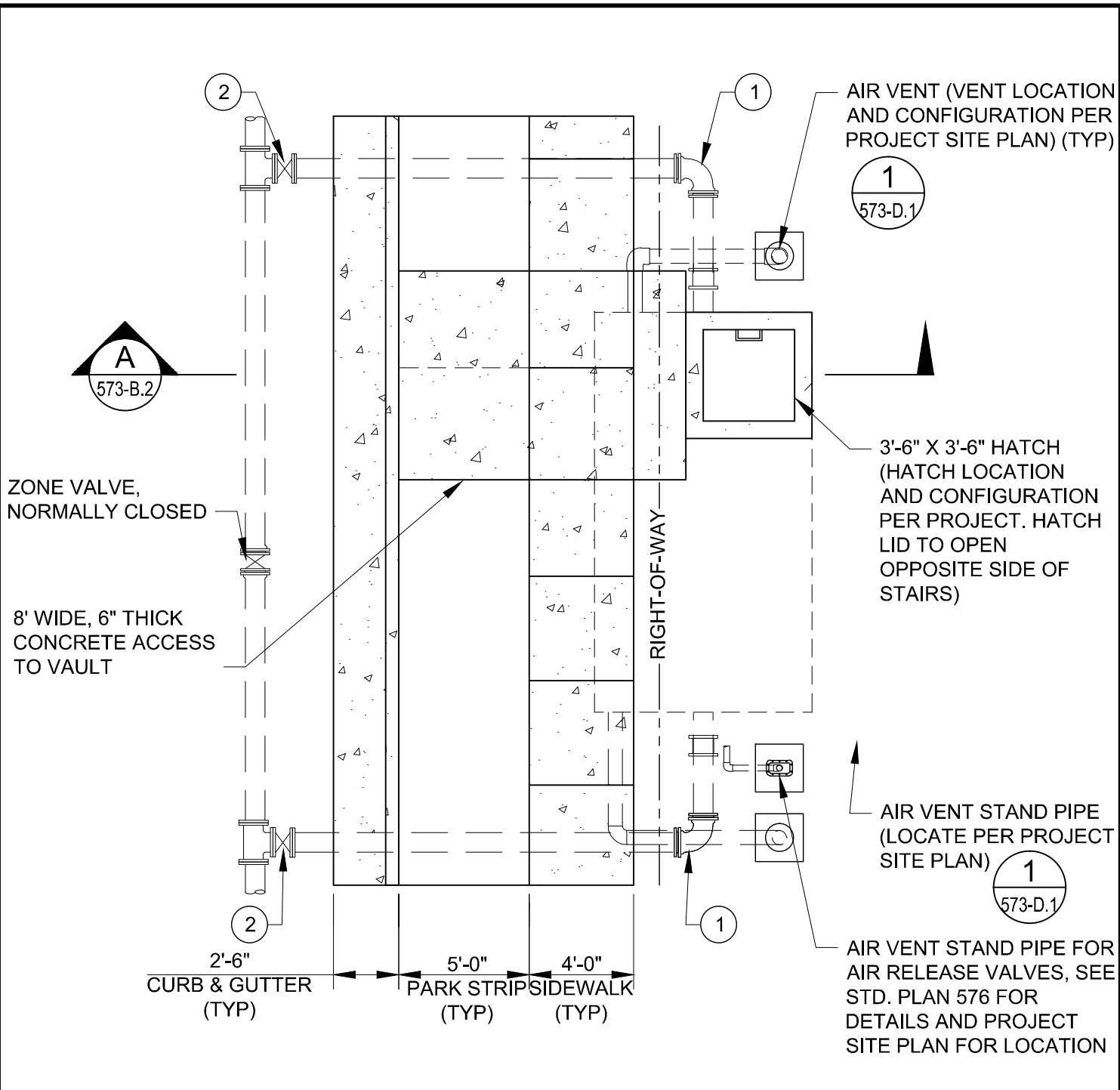
STD. PLAN

572

GENERAL NOTES

1. ALL WORK SHALL CONFORM TO PARK CITY DESIGN STANDARDS, CONSTRUCTION SPECIFICATIONS, AND STANDARD DRAWINGS.
2. SUBMIT SHOP DRAWINGS TO DESIGN ENGINEER AND CITY ENGINEER FOR APPROVAL PRIOR TO CONSTRUCTION. INCLUDE MECHANICAL, STRUCTURAL, ELECTRICAL AND INSTRUMENT DRAWINGS IDENTIFYING CONDUIT, CONDUCTOR, CABLE, SIZE AND ROUTINGS FOR POWER, GROUNDING, INSTRUMENTATION, AND CONTROLS, OPENINGS, PIPE, VALVES, HATCH, AND ALL VAULT COMPONENTS.
3. VAULT BACKFILL: STRUCTURAL FILL MATERIAL COMPACTED TO 95% MINIMUM OF MODIFIED PROCTOR DENSITY.
4. DUCTILE IRON PIPE, FITTINGS, COUPLERS, FLANGES, ETC. SHALL BE IN ACCORDANCE WITH AWWA C153, C111, AND C110 AND RATED FOR A MINIMUM 250 PSI WORKING PRESSURE.
5. FLANGED JOINTS: 125 LB FLANGES, ANSI/AWWA C115/A21.15. "FULL FACE FLANGE-TYTE" GASKET OR "RING FLANGE-TYTE" GASKET (OR PRE-APPROVED EQUAL). GASKETS TO BE HIGH-PERFORMANCE TYPE, 1/8" THICK, AND HAVE AT LEAST (3) BULB TYPE RINGS MOLDED INTO BOTH GASKET FACES, ANSI/AWWA C110/A21.11.
6. FITTINGS: FULL BODY AWWA C110. NO COMPACT FITTINGS. DOMESTIC "MADE IN USA".
7. DUCTILE IRON PIPE AND FITTINGS: UNCOATED. PRIME AND PAINT WITH NSF APPROVED HIGH SOLIDS EPOXY PAINT, TNE MEC POTA-POX N140 OR PRE-APPROVED EQUAL. HIGH PRESSURE SIDE, LIGHT BLUE. LOW PRESSURE SIDE, OFF WHITE.
8. ALL VALVES INSIDE VAULT SHALL BE RATED FOR 250 PSI WORKING PRESSURE, OR HIGHER IF REQUIRED FOR PROJECT.
9. VAULT SHALL BE PRECAST CONCRETE. APPROVAL MUST BE GIVEN TO USE CAST IN PLACE CONCRETE. VAULT SHALL BE DESIGNED FOR HS-20 LOADING. THE LOCATION OF THE PRECAST JOINTS MUST BE APPROVED. SITE SPECIFIC APPROVAL REQUIRED.
10. SEAL ALL JOINTS WITH PREFORMED FLEXIBLE SEALANT CONFORMING TO ASTM C990, AND WRAP WITH EXTERNAL JOINT SEALANT MEETING ASTM C877. FILL JOINTS INSIDE VAULT WITH CAULK OR GROUT.
11. PROVIDE (2) 8 HR DAYS FOR TESTING, STARTUP, AND TRAINING FOR PRV VALVES WITH MANUFACTURER REPRESENTATIVE.
12. SEAL ALL VAULT PENETRATIONS WITH HYDROPHILIC NON-SHRINK GROUT.

 PARK CITY MUNICIPAL CORPORATION WATER	DATE	PRESSURE REDUCING VALVE VAULT	STD. PLAN
	4/2014		573-A
	REV.		
	0		



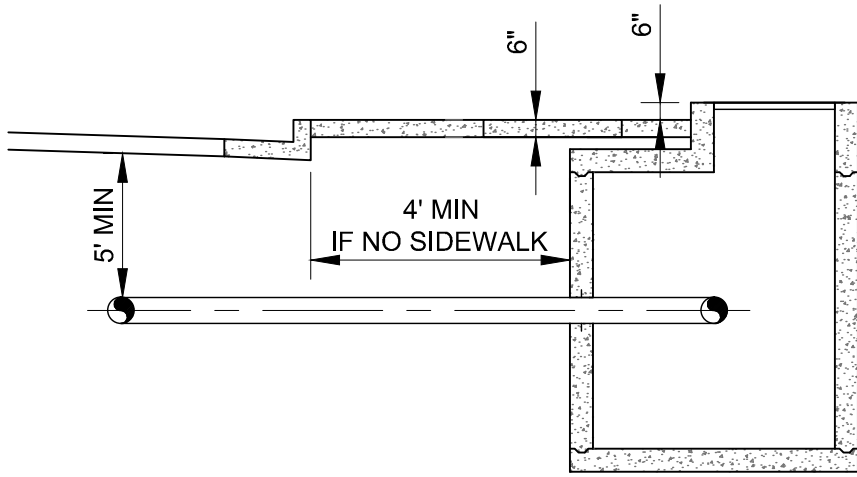
VAULT LOCATION PLAN

NTS

NOTES:

1. FOR GENERAL NOTES, SEE STD. PLAN 573-A, AND FOR (#) KEYED ITEMS, SEE STD. PLAN 573-C.3 AND C.4.
2. SITE SPECIFIC APPROVAL REQUIRED. NEW EASEMENTS WILL BE REQUIRED IF VAULT IS LOCATED OUTSIDE OF PROPERTY LINE.

 PARK CITY MUNICIPAL CORPORATION WATER	DATE	PRESSURE REDUCING VALVE VAULT	STD. PLAN
	4/2014		573-B.1
	REV.		
	0		



VAULT SECTION A
 NTS 573-B.1



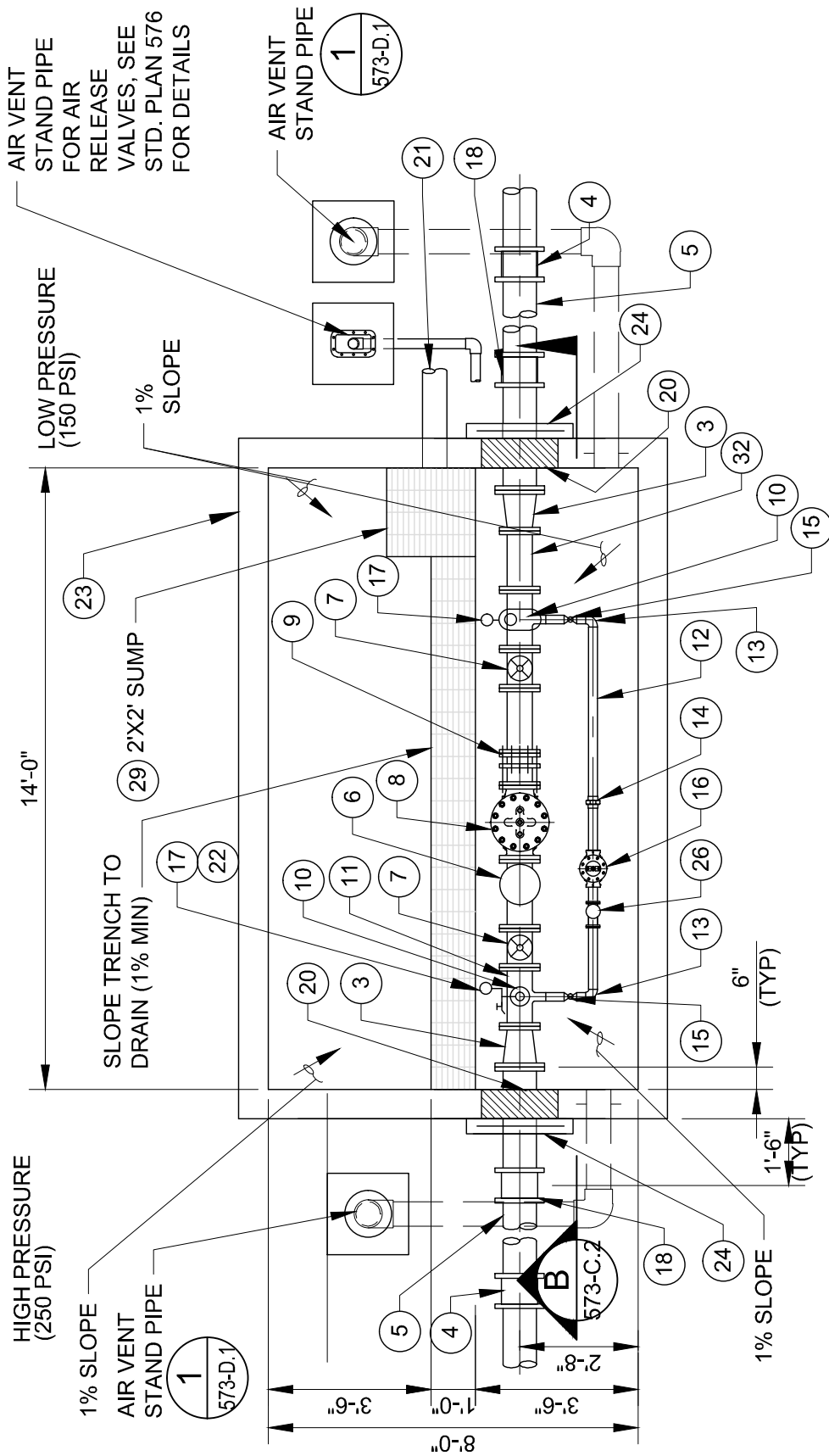
PARK CITY MUNICIPAL CORPORATION
WATER

DATE	4/2014
REV.	0

**PRESSURE REDUCING
 VALVE VAULT**

STD. PLAN

573-B.2



BASIC VAULT - PLAN VIEW

NTS

NOTE:

1. FOR GENERAL NOTES, SEE STD. PLAN 573-A, AND FOR # KEYED ITEMS, SEE STANDARD PLAN 573-C.3 AND C.4.
2. SEE PROJECT SITE PLAN FOR ACTUAL LOCATION OF VENT STAND PIPES, HATCH, SUMP, AND HIGH/LOW PRESSURE SIDES.

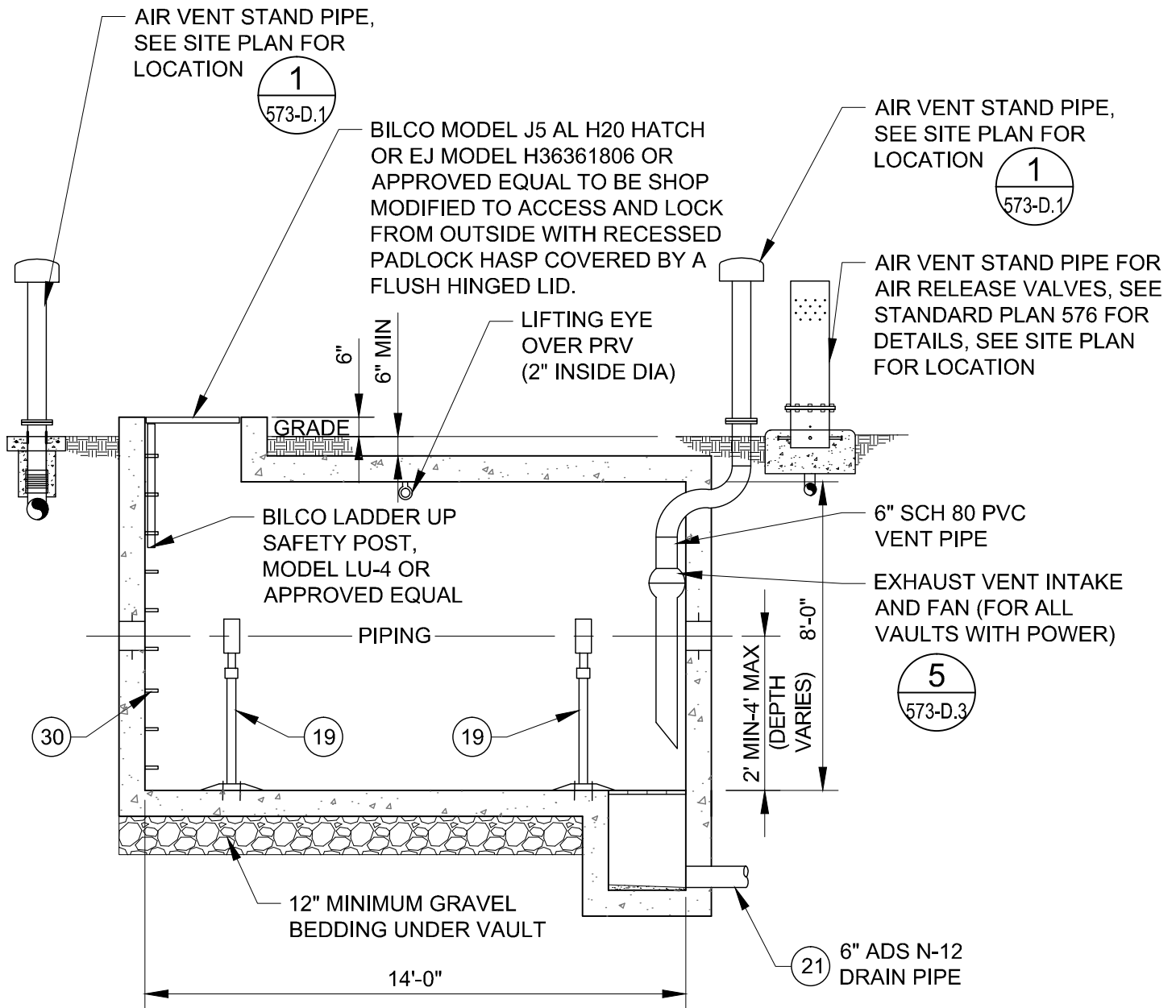


PARK CITY MUNICIPAL CORPORATION
WATER

DATE	4/2014
REV.	0

**PRESSURE REDUCING
VALVE VAULT**

STD. PLAN
573-C.1



VAULT SECTION

B

NTS

573-C.1

NOTES:

- 1. FOR GENERAL NOTES, SEE STD. PLAN 573-A, AND FOR (#) KEYED ITEMS, SEE STD. PLAN 573-C.3 AND C.4.



PARK CITY MUNICIPAL CORPORATION
WATER

DATE

4/2014

REV.

0

**PRESSURE REDUCING
VALVE VAULT**

STD. PLAN

573-C.2

MATERIAL LIST

ITEM	PRESSURE REDUCING VALVE VAULT
①	INSTALL 8" WATER MAIN WITH 90° DI BENDS WITH RETAINER GLANDS AND THRUST BLOCKS
②	INSTALL 8" RESILIENT SEAT VALVE, FL X MJ, W/ TEE AND RETAINER GLANDS AND TRUST BLOCKS ON EXISTING WATER MAIN
③	8"X6" DI REDUCER FL X FL
④	8" DI WATER MAIN, USE FLEXIBLE OR DUCTILE IRON MJ SLEEVES (POWERSEAL MODEL 3506 POWERMAX OR EQUAL) AS NECESSARY TO LEVEL EXISTING LINES
⑤	8" DI PIPE
⑥	6" CLA-VAL X 43 H (H STYLE STRAINER), FLANGED ENDS, 10 MESH SCREEN, CAGE SUPPORT, AND O-RING
⑦	6" RESILIENT SEAT VALVE, FL X FL W/HAND WHEEL AND POSITION INDICATOR
⑧	6" PRESSURE REDUCING VALVE, CLA-VAL MODEL 92-01, STRAINERS, FLOW CONTROL SHUT OFF COCKS, FLOW STABILIZER, STAINLESS STEEL TRIM, FLANGE X FLANGE, AND E-FLOW METER MODEL X144 WITH 4-20mA OUTPUT TO READ AT SCADA (SUBMITTAL REQUIRED, PRESSURE SUSTAINING VALVE IS REQUIRED UNLESS NOTED OTHERWISE)
⑨	6" DISMANTLING JOINT, ROMAC DJ 400, OR EQUAL.
⑩	1" COMBINATION AIR VALVE WITH BALL VALVE ISOLATION, CLA-VAL MODEL 361-CAV564.3 OR EQUAL. VENT ABOVE GRADE. OBTAIN OWNER APPROVAL FOR VENT PIPE ROUTING. SEE STD. PLAN 576 FOR DETAILS (SIMILAR).
⑪	6" X 6" X 2" DI TEE FL X FL X IP THREAD WITH TAP FOR PRESSURE GAUGE (ITEM 17), AND HOSE BIBBS (ITEM 22), AND AIR VALVE (ITEM 10)
⑫	2" BRASS OR RIGID COPPER PIPE, SCHEDULE 40, THREADED, TYPICAL
⑬	2" BRONZE 90° ELBOW, THREADED
⑭	2" BRONZE UNION COUPLING, THREADED
⑮	2" THREADED BRONZE BALL VALVE WITH HANDLE, 300 PSI, MUELLER 300
⑯	2" PRESSURE REDUCING VALVE CLA-VAL 92-01, STRAINERS, FLOW CONTROL SHUT OFF COCKS, FLOW STABILIZER, STAINLESS STEEL TRIM, THD X THD, AND E-FLOW METER MODEL X144 WITH 4-20mA OUTPUT TO READ AT SCADA (SUBMITTAL REQUIRED, PRESSURE SUSTAINING VALVE IS REQUIRED UNLESS NOTED OTHERWISE)
⑰	2" LIQUID FILLED PRESSURE GAUGE, GRADE B, UPSTREAM (0-300 PSI) DOWNSTREAM (0-200 PSI), THREADED, WITH STEM VALVE - SEE STD. PLAN 573-D.1
⑱	8" MJ SOLID SLEEVE, MEGA-LUG RESTRAINTS WITH COR-TEN TEE BOLTS

 PARK CITY MUNICIPAL CORPORATION WATER	DATE	<h3 style="margin: 0;">PRESSURE REDUCING VALVE VAULT</h3>	STD. PLAN
	4/2014		573-C.3
	REV.		
	0		

MATERIAL LIST (CON'T)

ITEM	PRESSURE REDUCING VALVE VAULT
(19)	2" STEEL PIPE SUPPORT STAND, ADJUSTABLE (2 REQUIRED ON 6" PIPE SYSTEM, 2 REQUIRED ON 2" PIPE SYSTEM), SEE STD. PLAN 578
(20)	CORE DRILL OPENING WITH LINK-SEAL PIPE-TO-WALL SEAL. TYPICAL ON ALL OPENING. FILL OUTSIDE OPENINGS WITH NON-SHRINK GROUT AND CAULK
(21)	DRAIN SUMP, PIPE TO DAYLIGHT WITH DRAIN PIPE AND #4 SST RODENT PROTECTION SCREEN ON END OF PIPE. ROUTE AS SHOWN ON SITE PLAN. IF NO PIPE-TO-DAYLIGHT OPTION IS AVAILABLE, INSTALL A SUMP PUMP. SEE STD. PLAN 573-D.2
(22)	3/4" HOSE BIBBS, I.P. THREAD - SEE STD. PLAN 573-D.1
(23)	VAULT IN ACCORDANCE WITH 573-A AND 573-B A. PRECAST CONCRETE VAULT RATED FOR HS-20 LOADING. MAY BE CAST IN PLACE PER CITY APPROVAL. PROVIDE STAMPED STRUCTURAL DRAWINGS B. WATERPROOF OUTSIDE WALLS AND TOP SLAB PER IBC CODE FOR BURIED FOUNDATIONS
(24)	MECHANICAL JOINT DUCTILE IRON RETAINER GLAND WITH CONCRETE THRUST BLOCK, REINFORCE CONCRETE WITH (4) #4 EACH SIDE OF PIPE.
(25)	6"X6"X3" DI TEE FLANGE X FLANGE X FLANGE
(26)	2" CLA-VAC X 43H (H STYLE STRAINER), FLANGED ENDS, 10 MESH SST SCREEN, CAGE SUPPORT, AND O-RING
(27)	3" PRESSURE RELIEF VALVE, CLA-VAL MODEL 50A-01 BKCX WITH MOUNTED LIMIT SWITCH OR MICRO SWITCH WITH SCADA CONNECT FOR "OPEN" ALARM CONDITION, SEE STD. PLAN 573-D.2
(28)	IN-LINE GAUGE PRESSURE TRANSMITTER, ROSEMOUNT MODEL 3051TG 800 PSI ASSEMBLED TO INTEGRAL, 2-VALVE, ROSEMOUNT 306 MANIFOLD. SEE STD. PLAN 573-D.1. 4-20 MA ANALOG
(29)	FRP GRATING, 1-1/2" THICK MIN. AND RATED FOR 300 LB/FT PEDESTRIAN TRAFFIC. INSIDE TRENCH WIDTH TO BE 8" MINIMUM, AND 2-1/2" DEEP.
(30)	VAULT LADDER, SEE DETAIL 7 ON 573-D.4
(31)	SUMP PUMP: 2" SUMP PUMP, TSURUMI MODEL HSZ2.4S-62 OR EQUAL. SUMP PUMP REQUIRED IF DRAIN TO DAYLIGHT NOT AVAILABLE, SEE STD. PLAN 573-D.2
(32)	6" DI PIPE. IF VAULT HAS POWER, THIS ITEM SHALL BE REPLACED WITH ITEMS 25 AND 27.



PARK CITY MUNICIPAL CORPORATION
WATER

DATE

4/2014

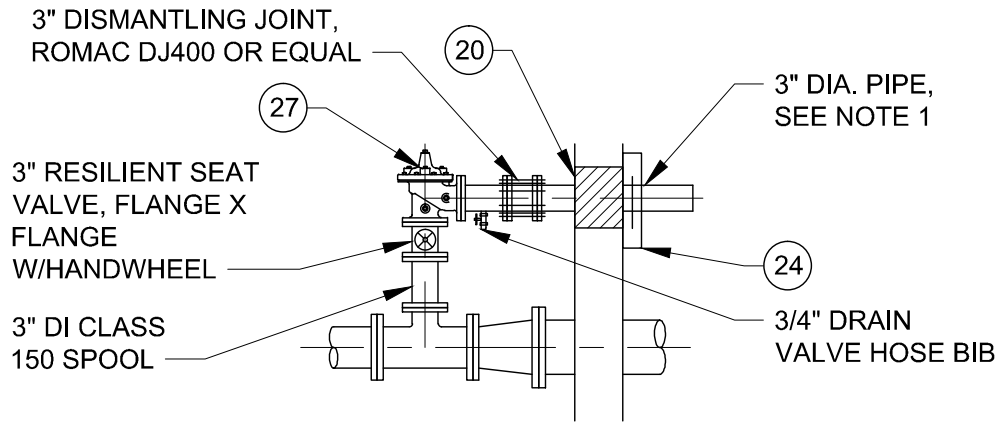
REV.

0

**PRESSURE REDUCING
VALVE VAULT**

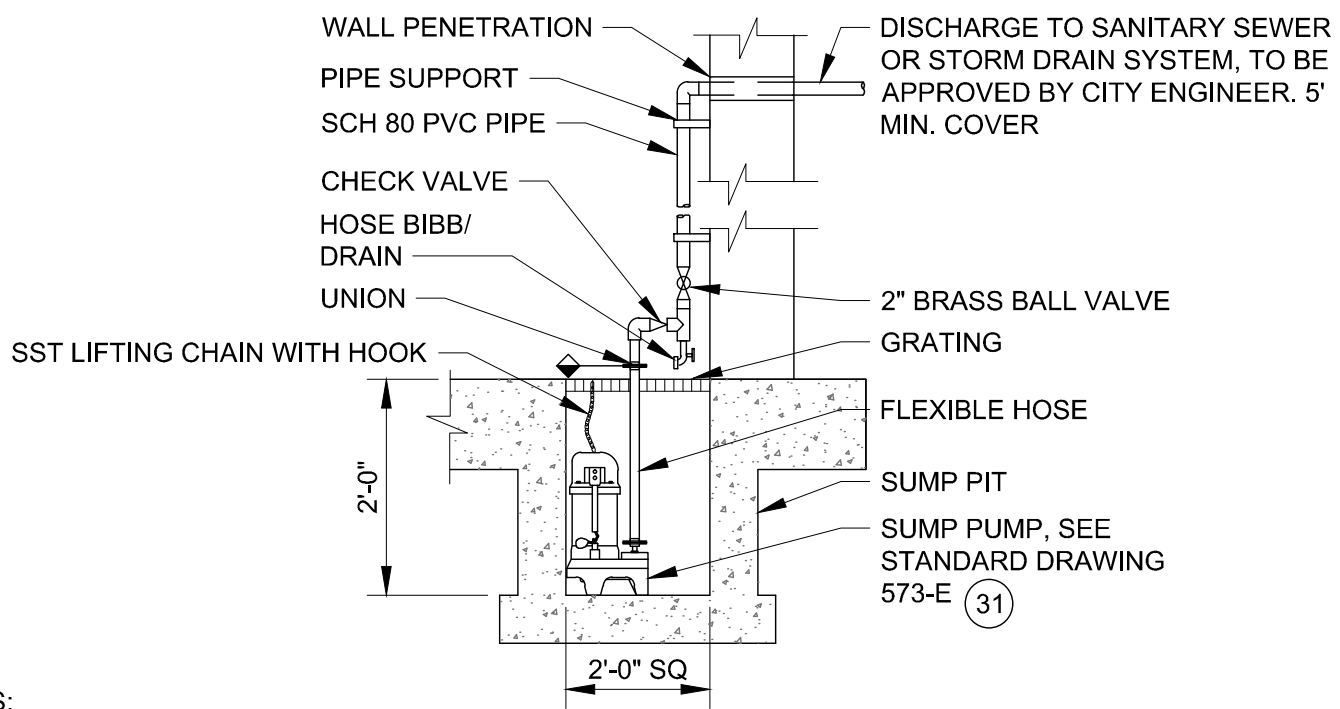
STD. PLAN

573-C.4



- NOTES:
1. ROUTE TO NEAREST APPROVED DISCHARGE LOCATION WITH 12" AIR GAP AND #4 SST MESH SCREEN BETWEEN FLANGES AND EROSION CONTROL. ALL FITTINGS MUST BE FLANGED OR RESTRAINED. 5' MIN COVER.
 2. FOR GENERAL NOTES, SEE STD. PLAN 573-A, AND FOR (#) KEYED ITEMS, SEE STD. PLAN 573-C.3 AND C.4

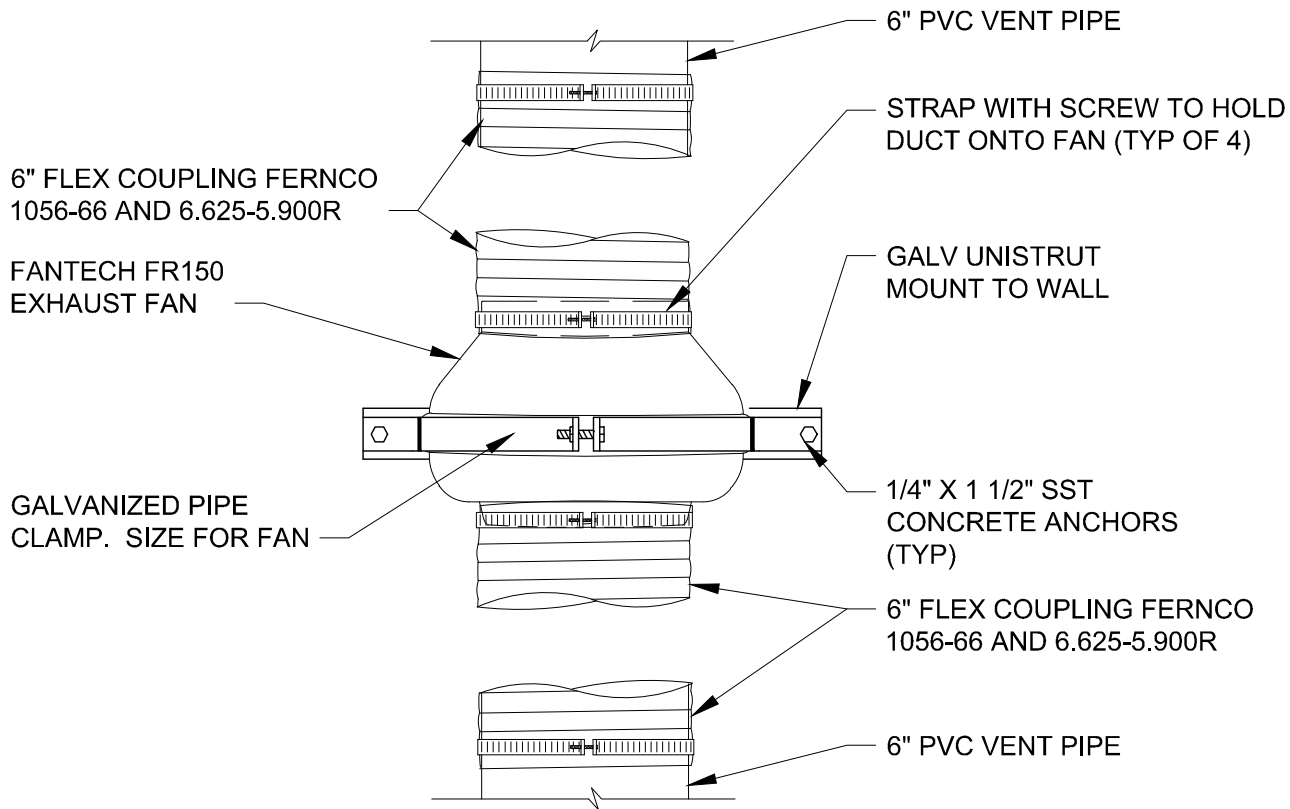
3" PRESSURE RELIEF VALVE DETAIL (3)
 NTS 573-C



- NOTES:
1. SUMP PUMP AND DISCHARGE PIPING SHALL NOT BE USED UNLESS SPECIFICALLY APPROVED BY THE CITY. SUMP SHALL DRAW TO DAYLIGHT UNLESS OTHERWISE APPROVED.
 2. FOR GENERAL NOTES, SEE STD. PLAN 573-A, AND FOR (#) KEYED ITEMS, SEE STD. PLAN 573-C.3 AND C.4

TYPICAL SUMP SECTION DETAIL (4)
 NTS 573-C

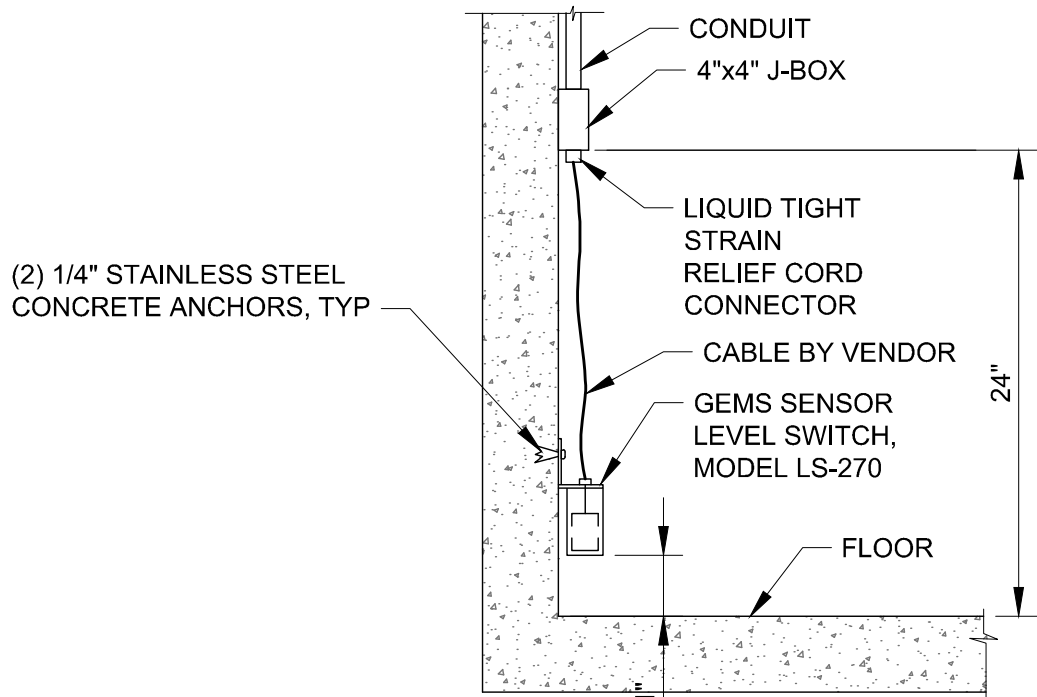
 PARK CITY MUNICIPAL CORPORATION WATER	DATE	PRESSURE REDUCING VALVE VAULT	STD. PLAN
	4/2014		573-D.2
	REV.		
	0		



IN-LINE EXHAUST FAN DETAIL

5
573-C, 573-E

NTS



FLOOD SWITCH INSTALLATION DETAIL

6
573-E

NTS

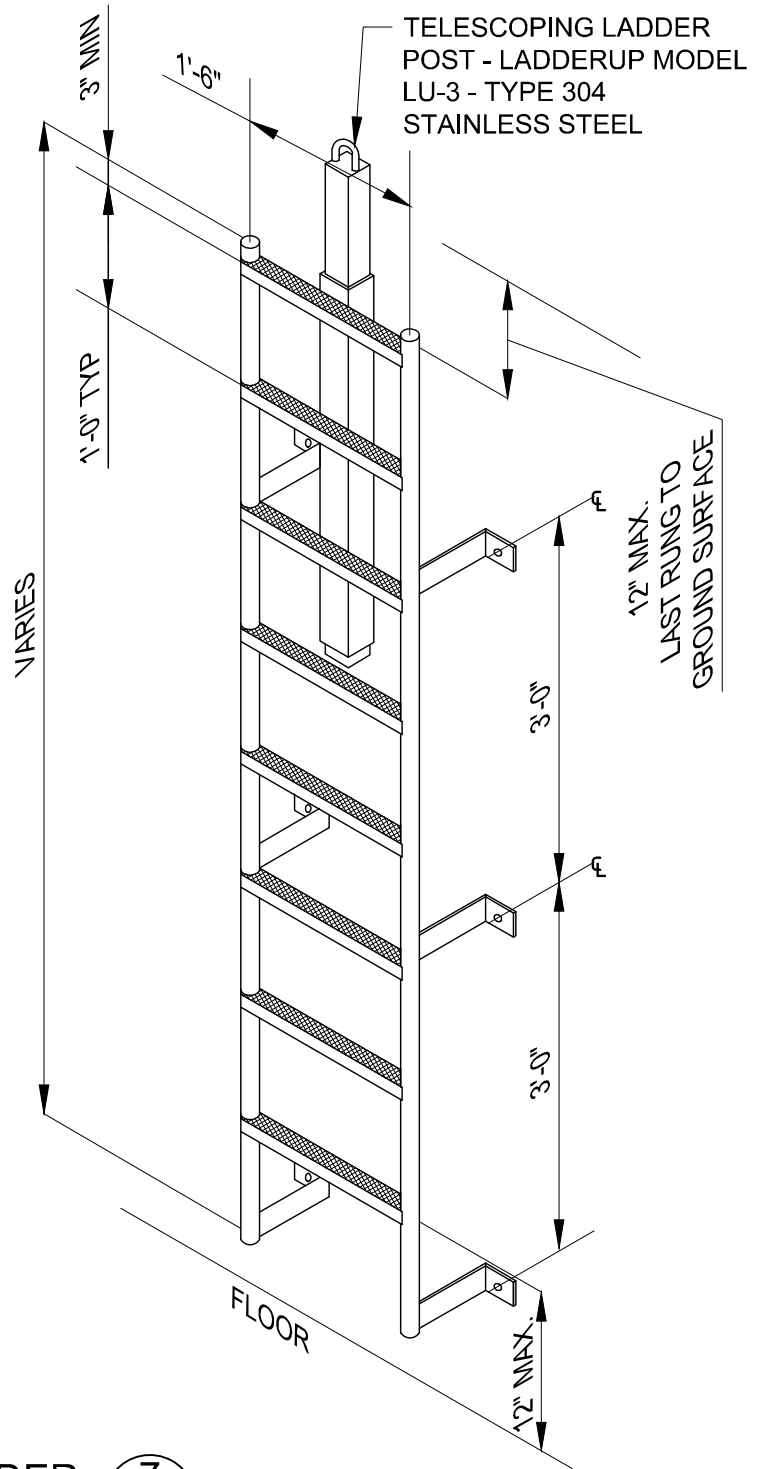
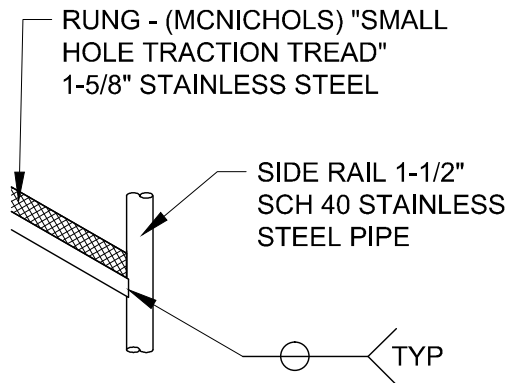
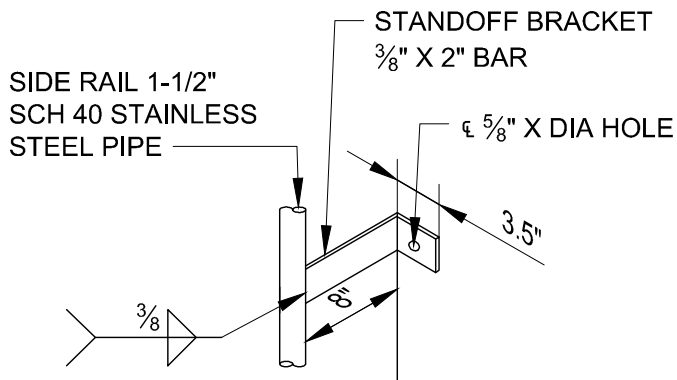


DATE	4/2014
REV.	0

PRESSURE REDUCING VALVE VAULT

STD. PLAN

573-D.3



VAULT LADDER

7
573-C

NTS

NOTE:

- LADDER, ANCHORS, AND BOLTS TO BE STAINLESS STEEL



PARK CITY MUNICIPAL CORPORATION
WATER

DATE

4/2014

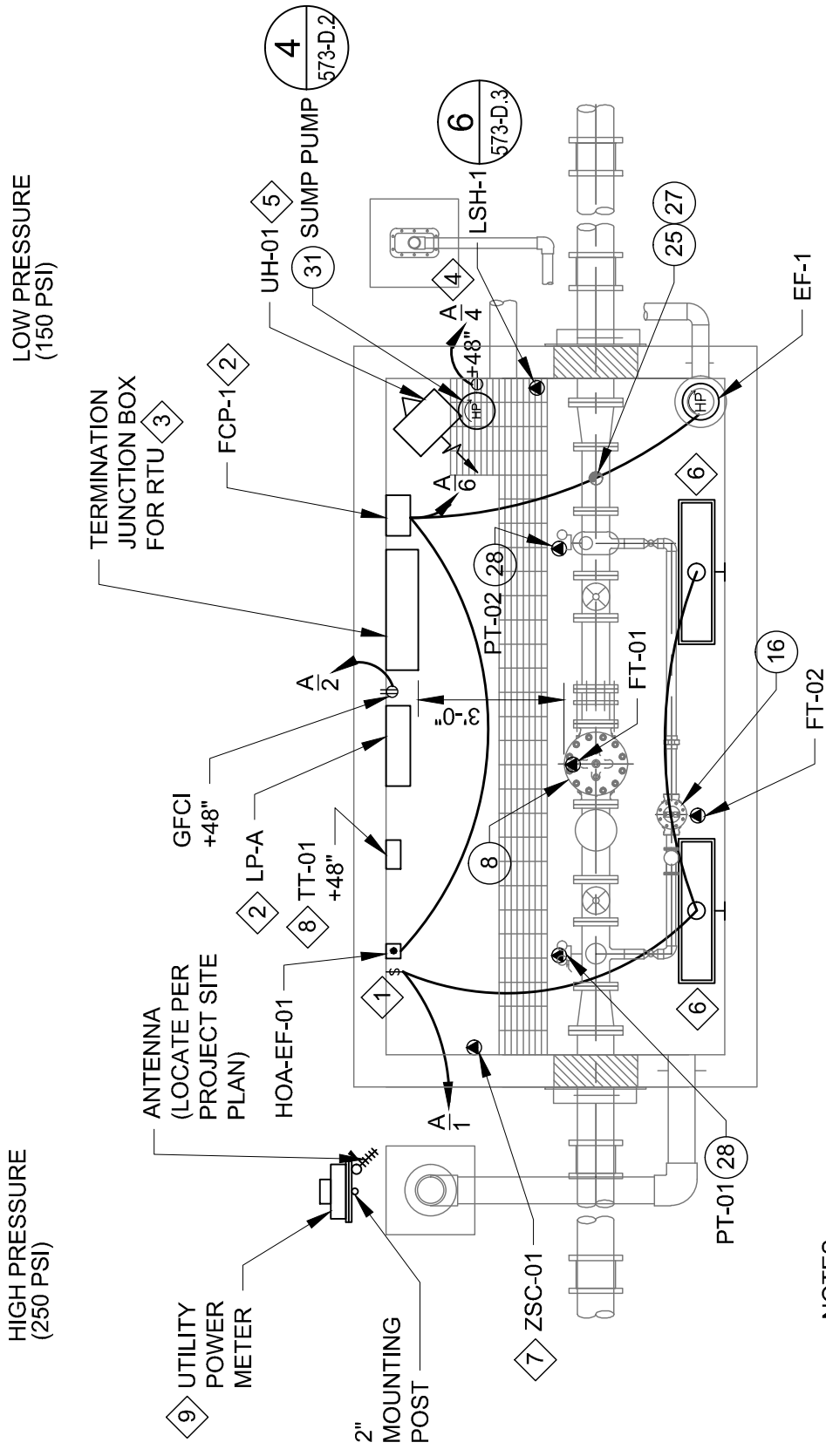
REV.

0

**PRESSURE REDUCING
VALVE VAULT**


STD. PLAN

573-D.4



- NOTES:**
1. SEE STD. PLAN 573-E.3 FOR # KEYED ITEMS.
 2. FOR GENERAL NOTES, SEE STD. PLAN 573-A, AND FOR # KEYED ITEMS, SEE STD. PLAN 573-C.3 AND C.4
 3. SEE STD. PLAN 573-E.2 FOR PANEL SCHEDULE.
 4. SEE STD. PLANS 573-E.4 AND 573-E.5 FOR ONE LINE DIAGRAMS.

TYPICAL VAULT WITH POWER - PLAN VIEW
NTS

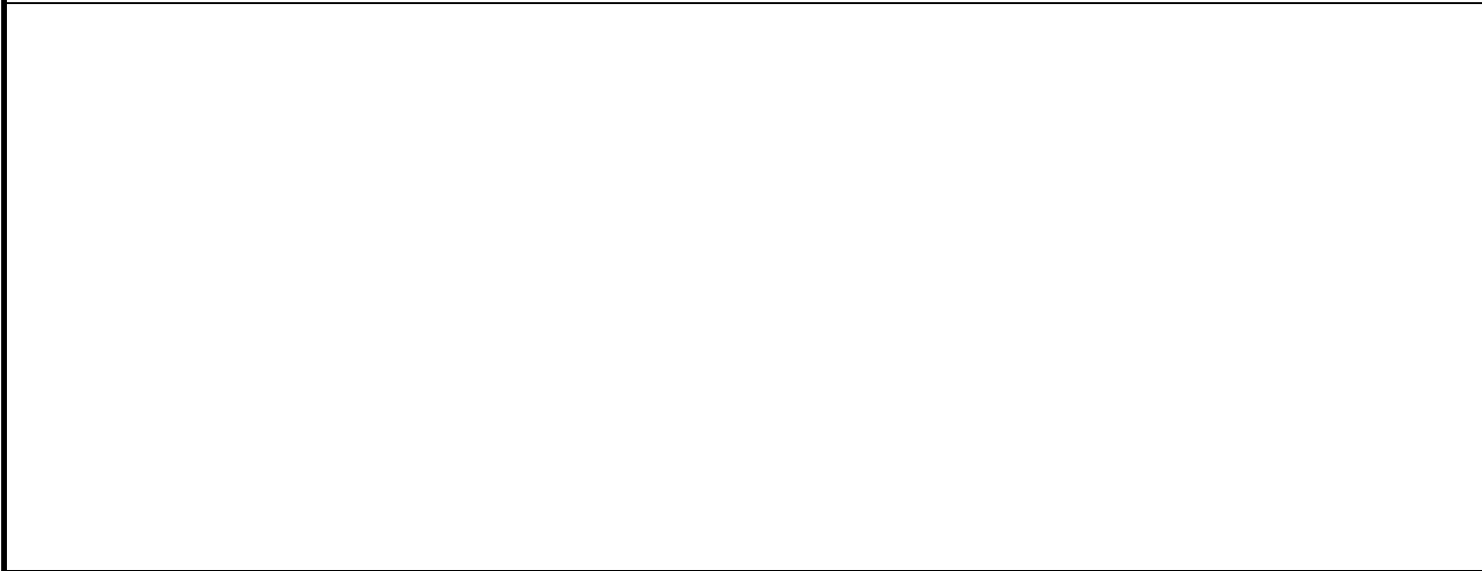
 PARK CITY MUNICIPAL CORPORATION WATER	DATE	PRESSURE REDUCING VALVE VAULT	STD. PLAN
	4/2014		573-E.1
	REV.		
0			

PANEL SCHEDULE LP-A

LOCATION: IN VAULT	MFGR: CULTER HAMMER OR EQUAL	100 AMPS	VOLTS: 120/240
DIMENSIONS: SIZE BY CONTRACTOR	TYPE: PANELBOARD	M.L.O.	PHASE: 1
MOUNTING: SURFACE	NEMA: 3R	50 M.C.B.	WIRES: 3
FEED: TOP		10000 A.I.C.	

					PHASE LOADS										
BRKR		DESCRIPTION	CONT. WATT S	N-CONT. WATTS	NO	A		B		NO	N-CONT. WATTS	CONT. WATTS	DESCRIPTION	BRKR	
A	P					CONT.	N-CONT.	CONT.	N-CONT.					A	P
20	1	LIGHTS		148	1	0	328			2	180		OUTLETS	15	1
20	1	RTU		500	3			0	1246	4	746		SUMP PUMP OUTLET	20	1
20	2	UNIT HEATER (UH-1)	1300		5	1300	560			6	560		FAN CONTROL PANEL	20	1
20	-	-	1300		7			1300	0	8			SPARE	20	1
20	1	SPARE			9	0	0			10			SPARE	20	1
20	1	SPARE			11			0	0	12			SPACE		
		SPACE			13	0	0			14			SPACE		
		SPACE			15			0	0	16			SPACE		
		SPACE			17					18			SPACE		


TOTAL WATTS:	2600	648	1,300	888	1,300	1246	1,486	0
CONTINUOUS LOAD:	2600							
CONTINUOUS LOAD *125%:	3,250							
NON-CONTINUOUS LOAD:	2,134							
DESIGN WATTS:	5,384							
MIN. RATING (AMPS):	15							

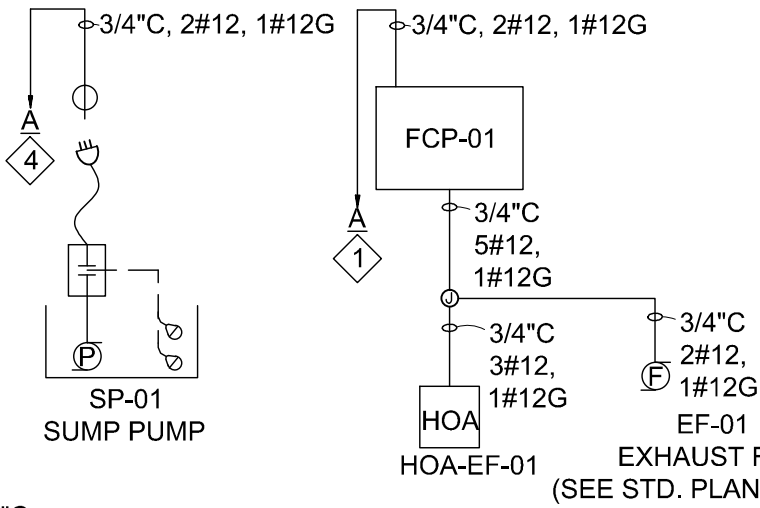


 PARK CITY MUNICIPAL CORPORATION WATER	DATE	<h3 style="margin: 0;">PRESSURE REDUCING VALVE VAULT</h3>	STD. PLAN
	4/2014		<h2 style="margin: 0;">573-E.2</h2>
	REV.		
	0		

PANEL NOTE:

- ① INSTALL WEATHERPROOF LIGHT SWITCH AND NEMA 4X HOA CONTROL BOX IN HATCH OPENING ABOUT 8" FROM TOP OF CONCRETE.
- ② MAINTAIN NATIONAL ELECTRICAL CODE REQUIRED CLEARANCE AND WORKING SPACE AROUND PANELS.
- ③ COORDINATE WITH PCMC FOR RTU PANEL, ANTENNA, AND CABLE REQUIREMENTS. CONTRACTOR TO FURNISH AND INSTALL RTU PANEL, ANTENNA, ANTENNA MAST, CONDUIT, CONDUCTOR, AND CABLE WITH WIRING TERMINATIONS INSIDE THE RTU PANEL. CONTRACTOR TO SIZE RTU RELATED EQUIPMENT FOR 11 I/O POINTS INCLUDING 3 SPARES. (2 FLOW METERS, 2 PRESSURE TRANSDUCERS, 1 TEMPERATURE SENSOR, 1 FLOOD ALARM, 1 ENTRY SECURITY ALARM, 1 PRESSURE RELIEF OPEN ALARM, 2 SPARE DIGITAL INPUTS AND 1 SPARE ANALOG INPUT). PCMC WILL PROVIDE AND INSTALL A PRE-ASSEMBLED AND PRE-WIRED BACKPANEL IN RTU PANEL AND PROVIDE SCADA PROGRAMMING.
- ④ SUMP PUMP RECEPTACLE TO BE A 20 AMP, SIMPLEX, NON-GFCI OUTLET.
- ⑤ UNIT HEATER TO BE A 2600W, 240V, COMFORT HEATER WITH FAN AND INTEGRAL THERMOSTAT CHROMALOX LUH02 21 34 40 1 OR EQUAL. MOUNT ON CEILING USING CEILING MOUNT KIT. LOCATE ON OPPOSITE SIDE OF VAULT FROM HATCH DAYTON MODEL 24U58.
- ⑥ GASKETED AND ENCLOSED INDUSTRIAL FIXTURE, FIBERGLASS HOUSING, WET LOCATION TWO LAMP FLUORESCENT, 120 VOLT, INSTANT START ELECTRONIC BALLAST METALUX VT3-232DR-120V-EB81-WL-U OR EQUAL. MOUNT FIXTURE ON WALL AT ABOUT 7 FEET ABOVE FINISHED FLOOR.
- ⑦ NEMA 4 HEAVY-DUTY LIMIT SWITCH WITH 1NO 1NC CONTACT 5A 120 VAC. SQUARE D COMPANY, CLASS 9007 OR EQUAL.
- ⑧ ROOM TEMPERATURE DISPLAY AND 4-20 mA TRANSMITTER WITH 100 OHM PLATINUM RTD. DEVAR MODEL D-RTTI-0024.
- ⑨ INSTALL UTILITY POWER METER WITH 50 AMP BREAKER ON BACK TO BACK UNISTRUT TO 2" GALVANIZED STEEL POLE ACCORDING TO UTILITY COMPANY STANDARDS.

 PARK CITY MUNICIPAL CORPORATION WATER	DATE	PRESSURE REDUCING VALVE VAULT	STD. PLAN
	4/2014		573-E.3
	REV.		
	0		

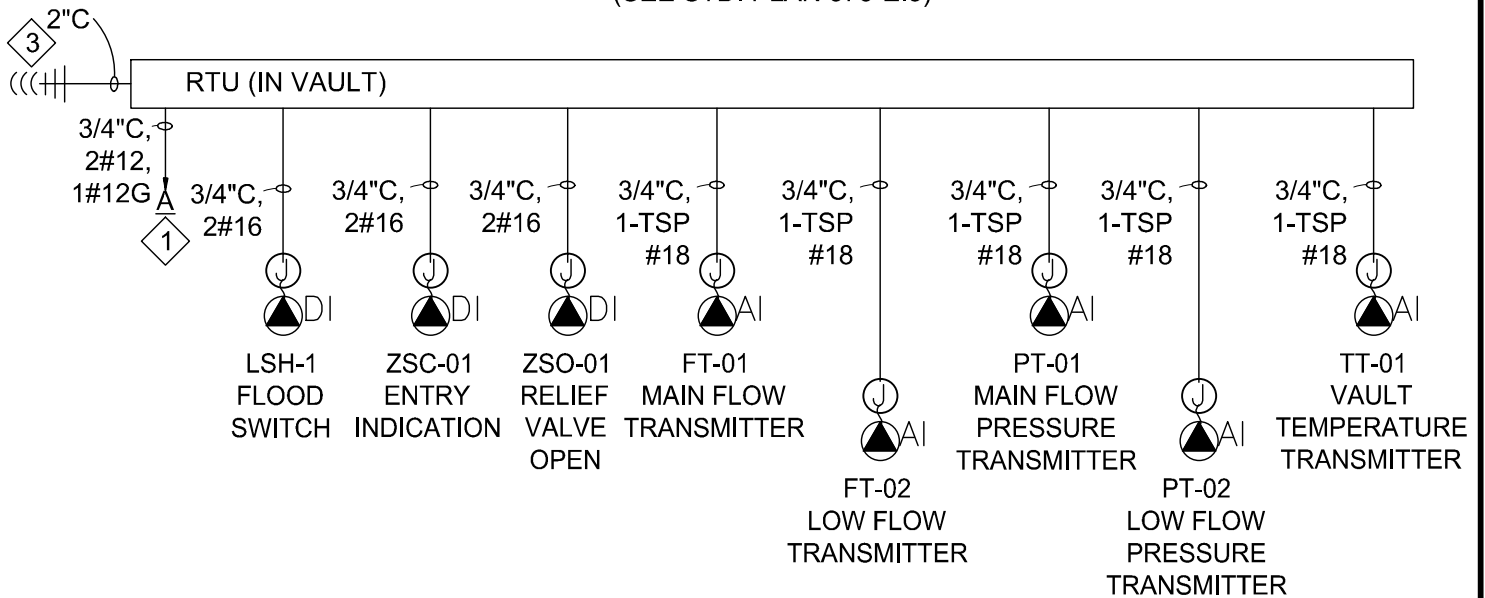


GENERAL NOTES:

1. REFER TO STD. PLAN 573-E.1 FOR EQUIPMENT LOCATIONS, 573-E.2 FOR PANEL SCHEDULE, AND 573-E.3 FOR # KEYED ITEMS.

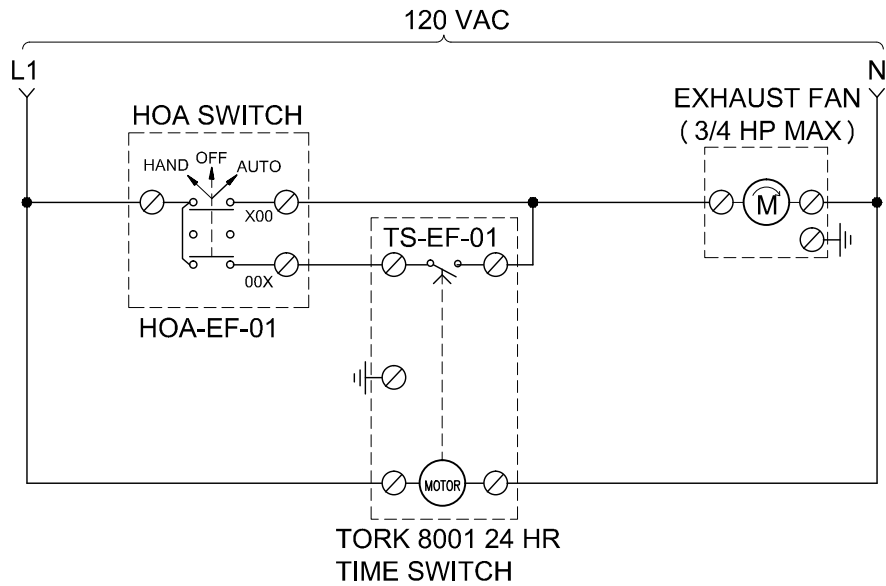
LEGEND

- AI - ANALOG INPUT
- DI - DIGITAL INPUT
- TSP - TWISTED SHIELDED PAIR CABLE



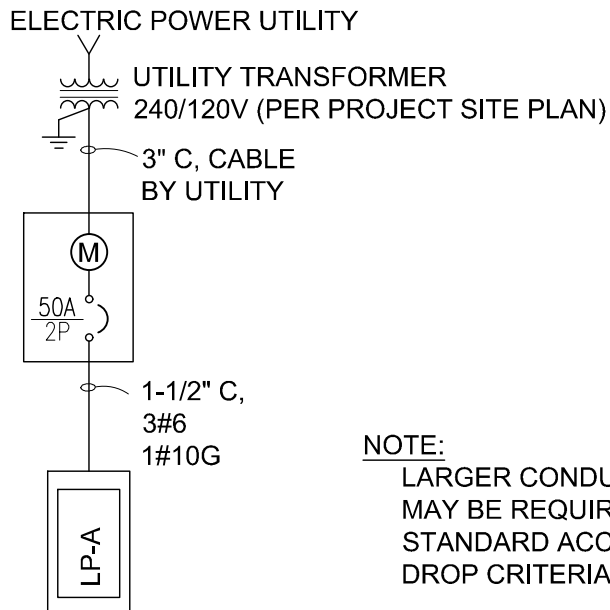
CONTROL ONE-LINE DIAGRAM

<p>PARK CITY 1884 PARK CITY MUNICIPAL CORPORATION WATER</p>	DATE	<p>PRESSURE REDUCING VALVE VAULT</p>	STD. PLAN
	4/2014		<p>573-E.4</p>
	REV.		
	0		



TYPICAL VAULT EXHAUST FAN CONTROL SCHEMATIC

NTS



POWER ONE-LINE

NTS



PARK CITY MUNICIPAL CORPORATION
WATER

DATE

4/2014

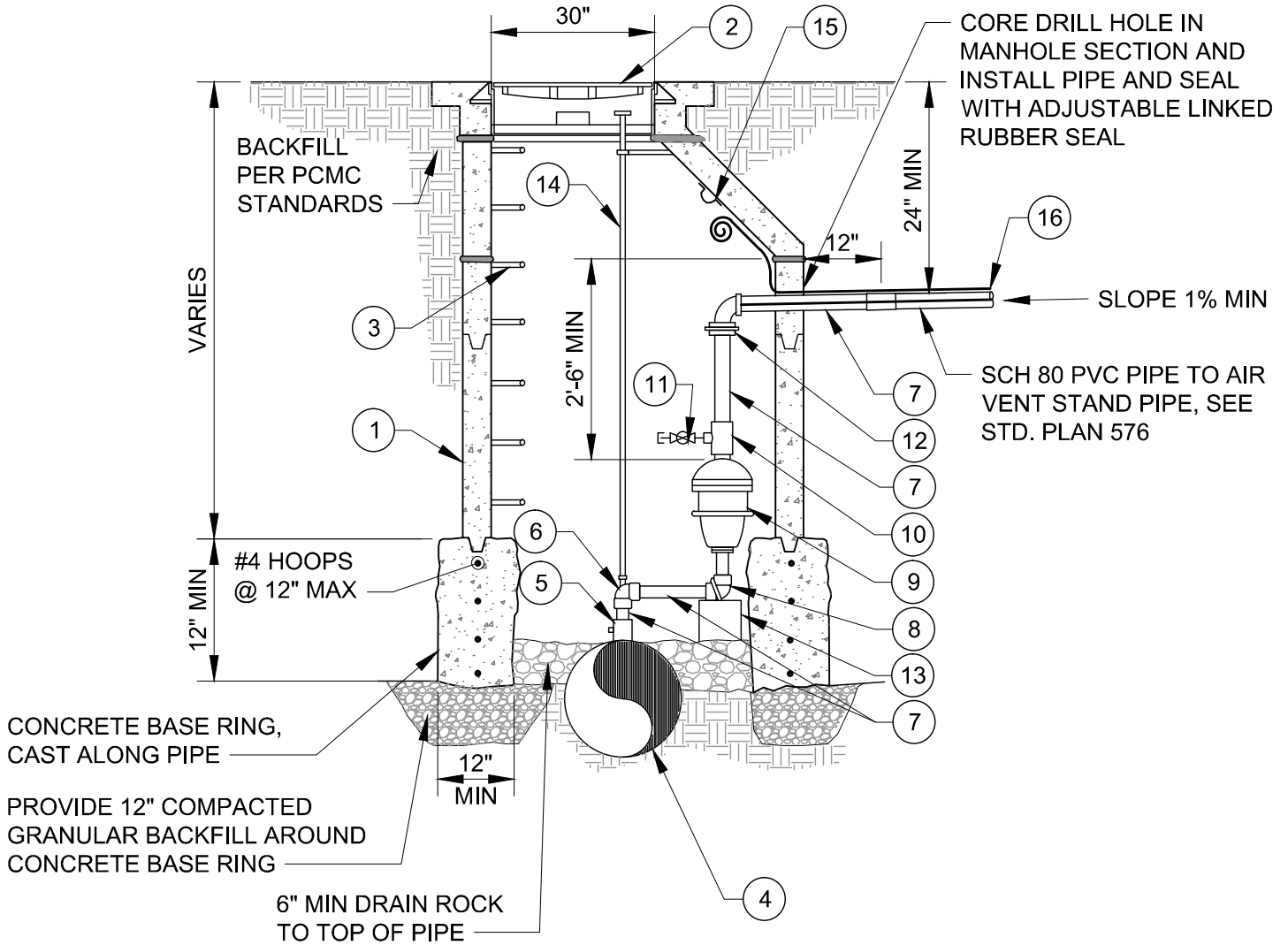
REV.

0

PRESSURE REDUCING VALVE VAULT

STD. PLAN

573-E.5



PARK CITY MUNICIPAL CORPORATION
WATER

DATE

3/2014

REV.

0

AIR RELEASE / CAV VALVE MANHOLE

STD. PLAN

574

LEGEND AND APPROVED PARTS LIST

ITEM	DESCRIPTION	ACCEPTABLE MANUFACTURER	MODELS
①	5' DIA. MANHOLE, PRECAST CONCRETE ECCENTRIC CONE AND WALL SECTIONS		ASTM C 478
②	MANHOLE FRAME AND COVER (STD. PLAN 529)		
③	POLYPROPYLENE ENCASED GRADE 60 STEEL STEPS AT 13" C-C, 13-1/2" TREAD WIDTH	M.A. INDUSTRIES OR APP'D EQUAL	PS2-PFDF
④	VALVE LARGER THAN 2": DUCTILE IRON FLANGED TEE WITH 4" BLIND FLANGE BRONZE AND NPT SERVICE TAP VALVE 2" AND SMALLER: BRONZE SERVICE SADDLE DI MAIN; DOUBLE STRAP PVC MAIN; TWO-PIECE BOLTED	MUELLER	DI PIPE SADDLE: BR2B SERIES, I.P. THDS; PVC PIPE SADDLE: H-13000 SERIES, I.P. THDS
		FORD	DI PIPE SADDLE: STYLE 202B I.P. THDS; PVC PIPE SADDLE: STYLE S902, I.P. THDS
⑤	BRASS CORPORATION STOP, INLET I.P. THREAD, OUTLET F.I.P. THREAD (VALVE INLET SIZE)	MUELLER	B-20046N
		FORD	FB1100-(SERVICE SIZE)-G-NL
⑥	BRONZE ANGLE VALVE, 300 PSI (VALVE INLET DIAMETER)		
⑦	BRASS NIPPLES X LENGTH AS REQUIRED, M.I.P., (VALVE INLET DIAMETER)		
⑧	BRASS 90° ELBOW, F.I.P. (VALVE INLET/OUTLET DIAMETER)		
⑨	COMBINATION AIR VACUUM / RELEASE VALVE, NPT, SIZE PER ENGINEER DESIGN AND APPROVED PLANS		
⑩	BRONZE TEE, F.I.P., THREADED, (VALVE OUTLET DIAMETER X 3/4" DIA.)		
⑪	DRAIN ASSEMBLY: 3/4" DIA. BRASS CLOSE NIPPLE, M.I.P.; 3/4" BRONZE BALL VALVE; 3/4" BRONZE PLUG	MUELLER	SERIES 300 VALVE; H-10035
⑫	BRONZE UNION, (VALVE OUTLET DIAMETER)		
⑬	CAV ASSEMBLY SUPPORT, (1) 16"X8"X8" CMU BLOCK		
⑭	5/8" DIAMETER GALVANIZED STEEL ROD WITH 3" DIAMETER HAND WHEEL TO FORM EXTENSION, TOGETHER WITH A GALVANIZED EYELET STANDOFF		
⑮	LIFTING EYE ABOVE AIR VALVE, GALVANIZED		
⑯	TRACER WIRE: 12 GA. SOLID, BLUE PVC INSULATION; WIRE-WIRE CONNECTORS SILICONE-FILLED WIRE NUTS	IDEAL INDUSTRIES	TWISTER DB PLUS OR APP'D EQUAL

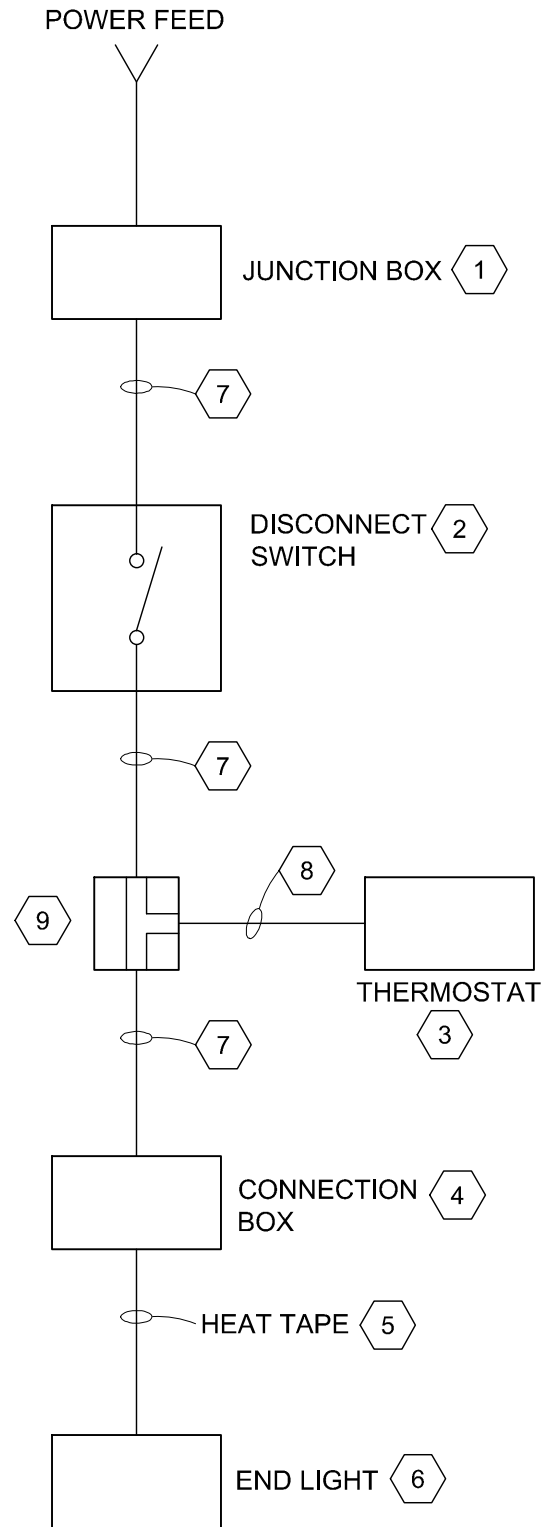
DETAIL NOTES

1. ALL VALVES AND FITTINGS SHALL BE RATED FOR THE SAME WORKING AND TEST PRESSURES AS THE CONNECTED WATERLINE
2. LOCATE VALVE, VAULT, AND AIR VENT PER APPROVED PLANS AND SET VAULT PLUMB
3. REFER TO STD. PLAN 575 FOR HEAT TRACE REQUIREMENTS

 PARK CITY MUNICIPAL CORPORATION WATER	DATE	AIR RELEASE / CAV MANHOLE	STD. PLAN
	4/2014		574 S
	REV.		

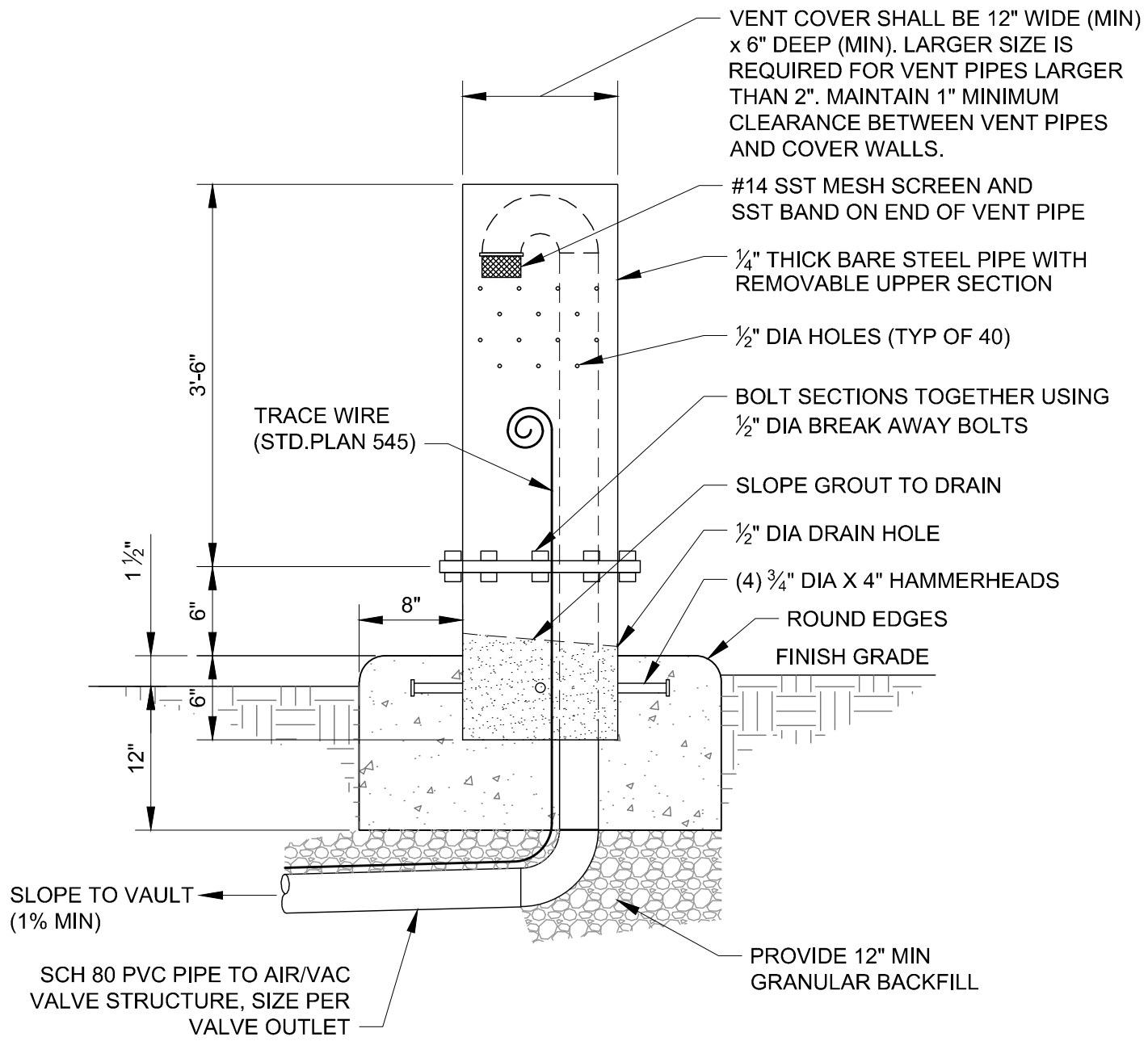
KEY NOTES:

- 1 TYPE 4X NONMETALLIC J-BOX FOR WIRE CONNECTIONS AS NEEDED.
- 2 CROUSE HINDS FS BOX, WITH 20 AMP SINGLE POLE SWITCH, AND A CROUSE HINDS P/N DS185 COVER.
- 3 CHROMALOX NON INDICATING TEMPERATURE CONTROL, 0 TO 150 DEGREES F, P/N PIT-15.
- 4 CHROMALOX PIPE MOUNTED POWER CONNECTION BOX NEMA 4X, P/N RTPC.
- 5 HEAT TAPE 120 VOLT, 5 WATTS PER FOOT, SELF-REGULATING, TINNED COPPER BRAID, WITH A FLUOROPOLYMER OVERJACKET. CONNECT GROUNDING CONDUCTOR TO COPPER BRAID. CHROMALOX P/N SRL 5-1CT HEATING CABLE.
- 6 END KIT WITH INDICATING LIGHT 120 VOLT, CHROMALOX P/N RTPC-SL1.
- 7 3/4" RIGID CONDUIT GALVANIZED WITH TWO #12 CONDUCTORS AND ONE #12 GROUND.
- 8 1/2" RIGID CONDUIT GALVANIZED WITH TWO #12 CONDUCTORS AND ONE #12 GROUND.
- 9 3/4" RIGID T CONDUIT GALVANIZED BODY WITH ONE REDUCER FOR 1/2" CONDUIT.



HEAT TRACE POWER ONE-LINE DETAIL

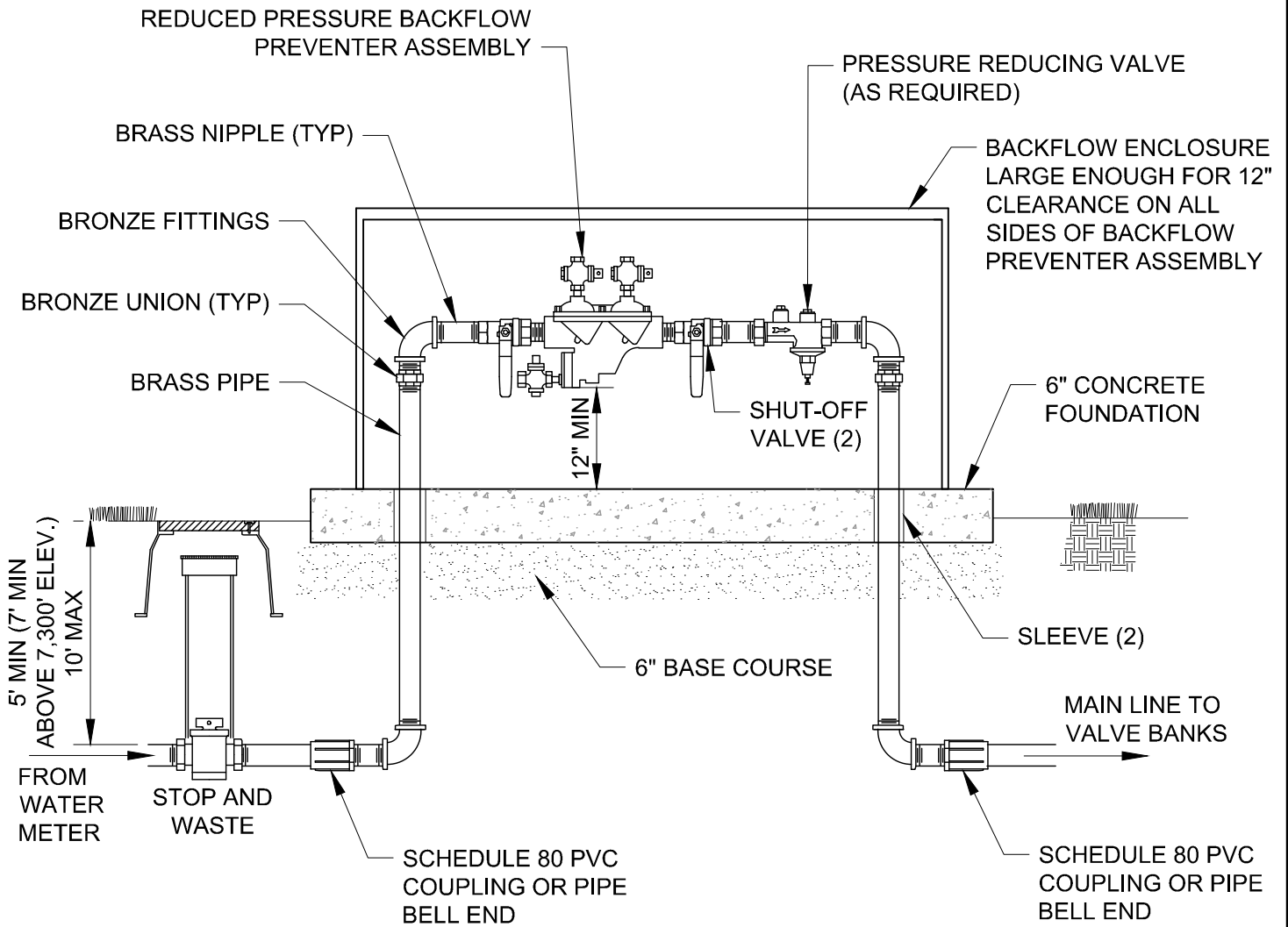
 PARK CITY MUNICIPAL CORPORATION WATER	DATE	HEAT TAPE INSTALLATION FOR AIR RELEASE / CAV VALVE	STD. PLAN
	3/2014		575-B
	REV.		
	0		



NOTES:

1. LOCATE VENT AS SHOWN ON APPROVED PLANS, 1'-6" MINIMUM BEHIND TOP BACK OF CURB / GUTTER OR SIDEWALK.

 PARK CITY MUNICIPAL CORPORATION WATER	DATE	<h2>AIR VENT STAND PIPE</h2>	STD. PLAN
	3/2014		<h1>576</h1>
	REV.		
	0		



LESS THAN 3" DIAMETER



PARK CITY MUNICIPAL CORPORATION
WATER

DATE

4/2014

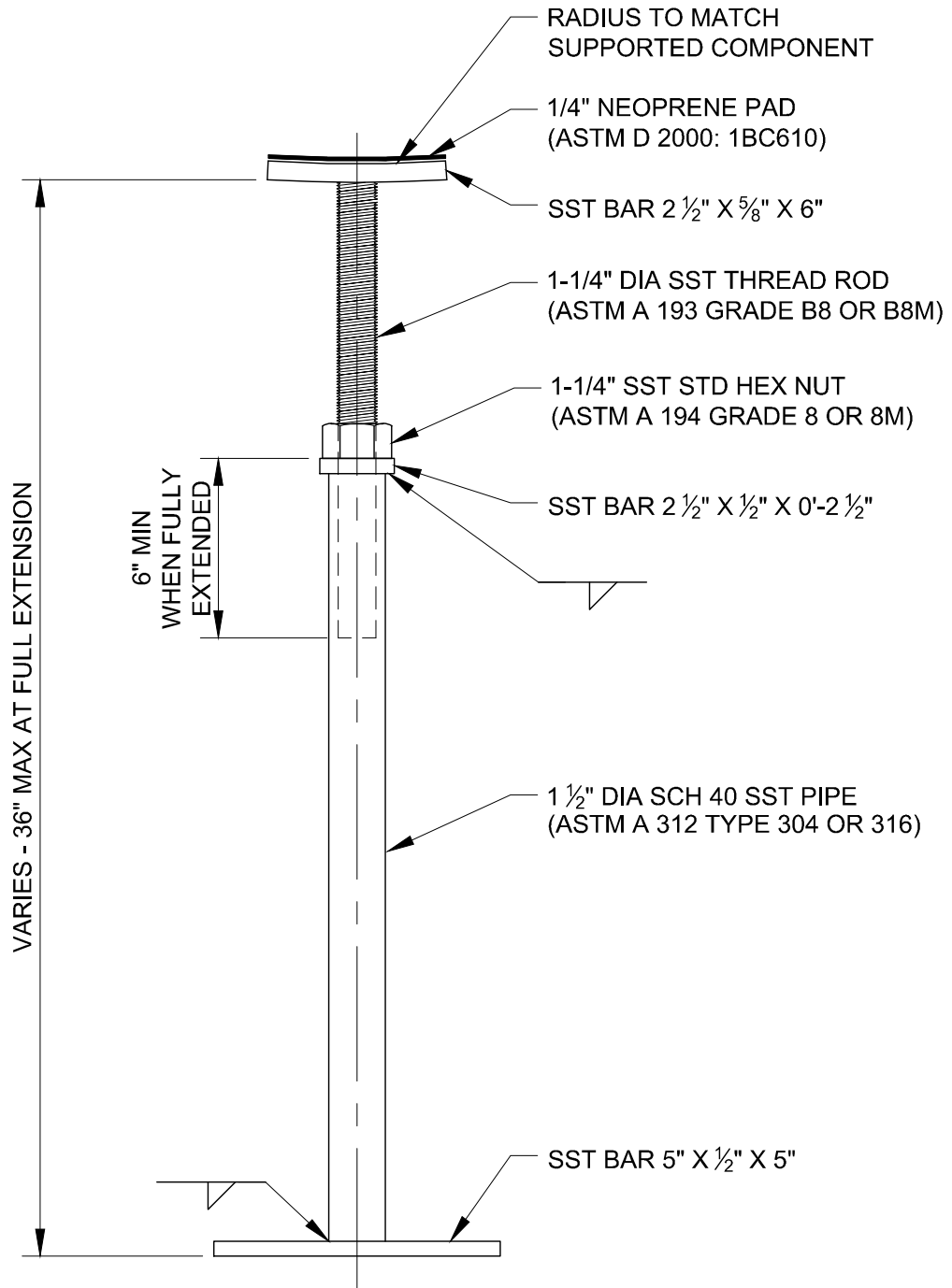
REV.

0

**IRRIGATION BACKFLOW
PREVENTER - OUTSIDE SETTING**


STD. PLAN

577



NOTES:

1. BAR MATERIAL TO BE ASTM A 240 TYPE 304 OR 316 (Fy= 30 KSI MIN.)

 PARK CITY MUNICIPAL CORPORATION WATER	DATE	PIPE SUPPORT	STD. PLAN
	3/2014		578
	REV.		
	0		