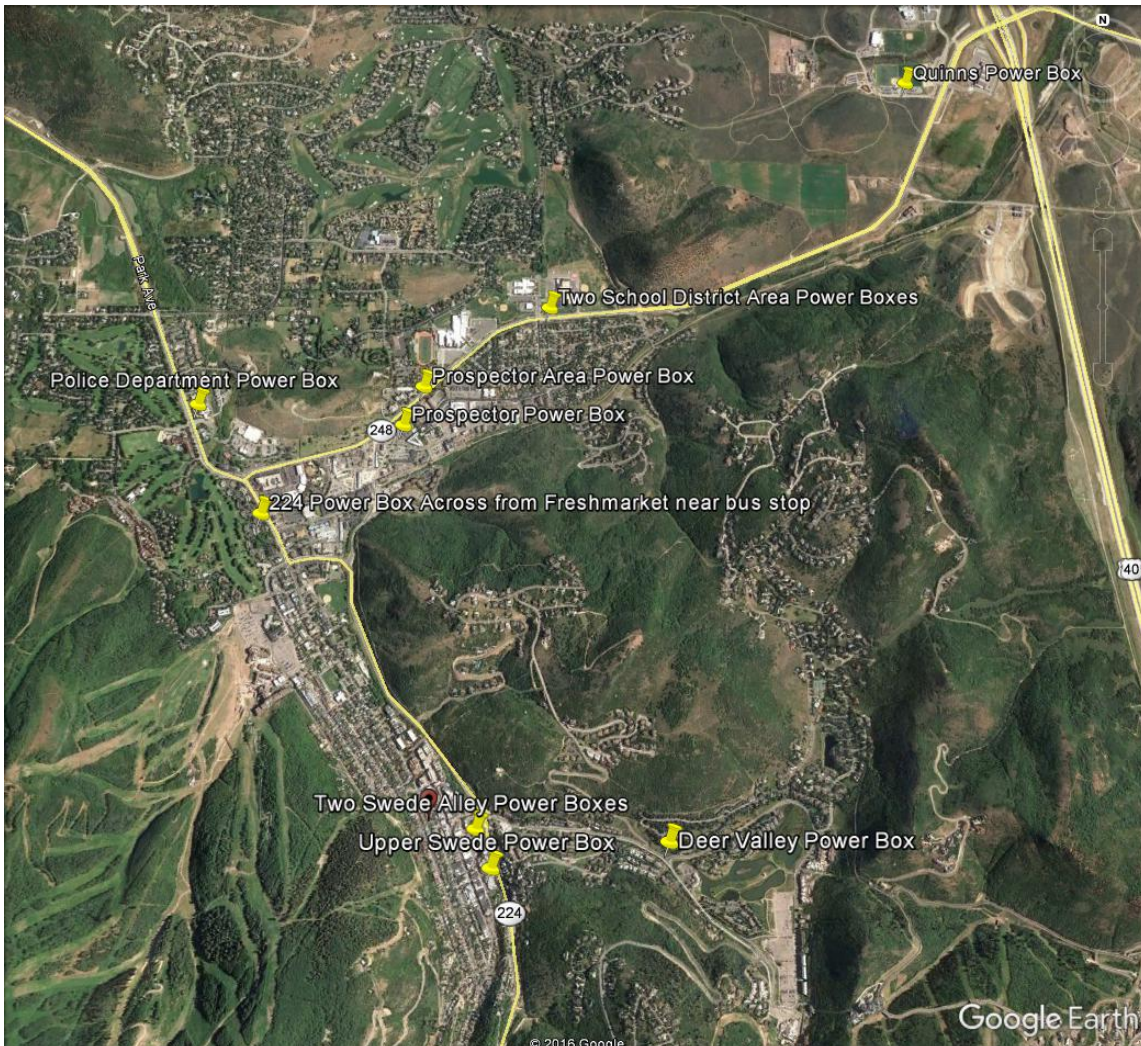


Exhibit A – Utility Box Locations & Measurements

Utility Box Locations & Measurements

Attached is a list of Utility Boxes for the project. 10 Locations will be selected. Manufacture and City Measurements are included. Selected Service Providers should also physically measure the selected locations before printing to verify exact measurements. Please consult map that is also attached in this exhibit.

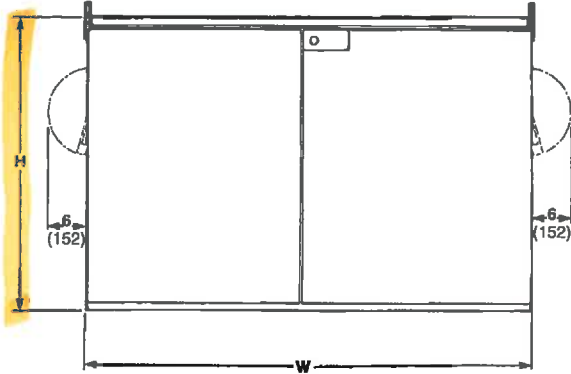
Location	Manufacturer Drawing#	City Measurements (inches)		
		Width	Height	Depth
1. Swede Alley & 4th	1	67	44 1/4	60 7/8
2. Swede Alley & 5th (2 boxes)	1	67	44 1/4	60 7/8
3. Swede Alley & Heber Ave	1	67	44 1/4	60 7/8
4. Park Ave, South of DV Dr.	1	67	44 1/4	60 7/8
5. 224 Corner South of Police Office	1	67	44 1/4	60 7/8
6. Quinn's Junction	1	67	44 1/4	60 7/8
7. Bonanza & Prospector	1	67	44 7/16	61
8. Across from A-Fresh	1	67	44 1/4	61
9. DV Drive Split	1	67	44 3/8	61
10. Kearns & Comstock (west)	1	67	44	61
11. Kearns & Comstock (East)	2	75	44 7/8	73 1/8
12. Corner by New Urgant Care Bldg.	3	75	44 5/8	67 1/8



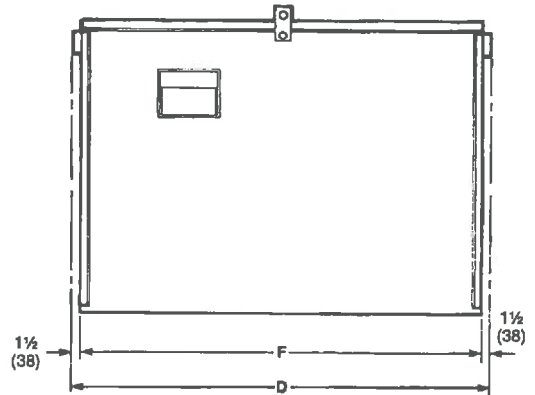
#1

Model PMH-9
14.4 kV and 25 kV Nominal

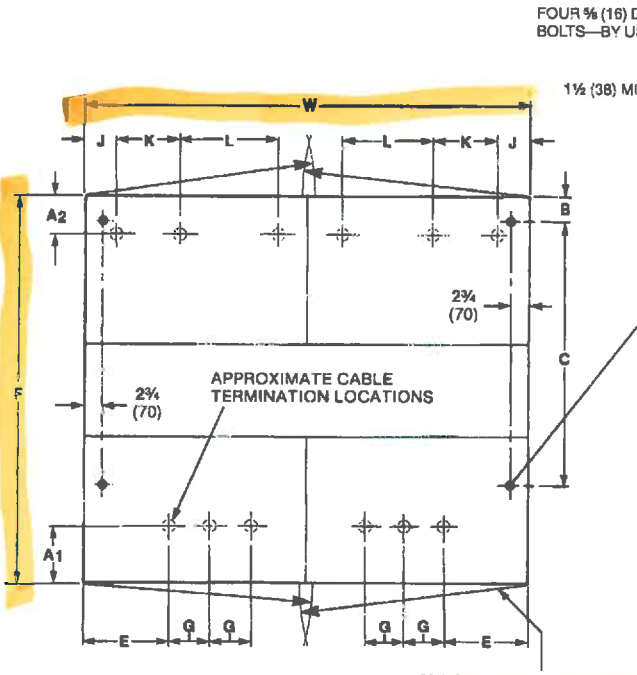
Dimensions in inches (mm)



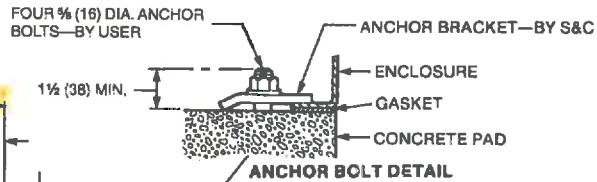
FRONT VIEW



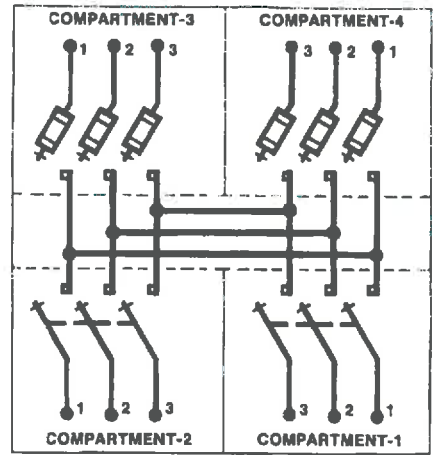
SIDE VIEW



ANCHOR BOLT PLAN



ANCHOR BOLT DETAIL



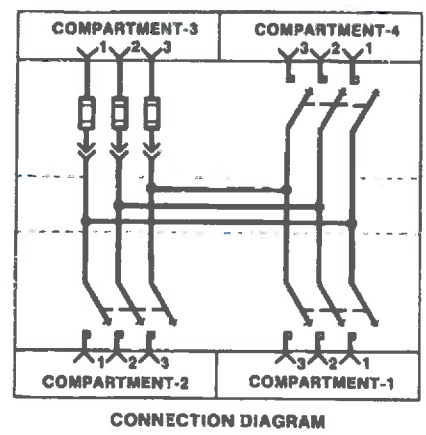
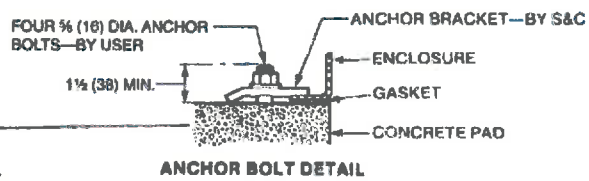
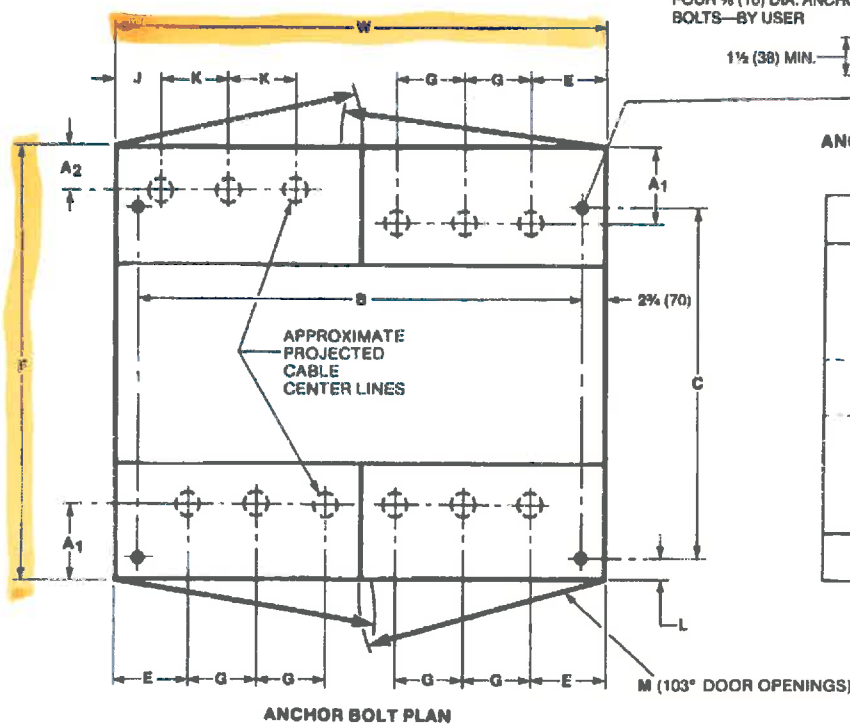
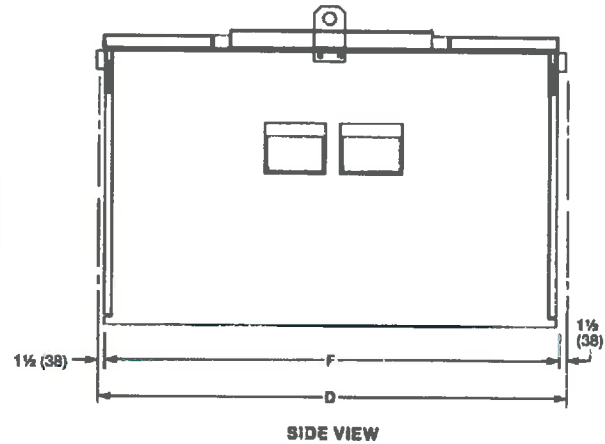
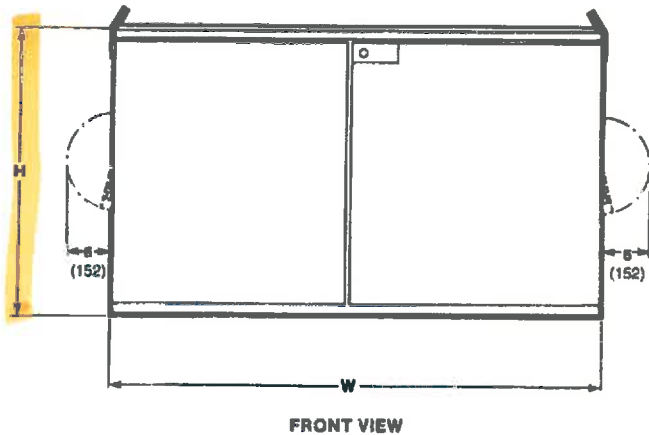
CONNECTION DIAGRAM

kV, Nominal	A ₁ ◆	A ₂	B	C	D	E	F	G	H	J	K	L	M	W
14.4	9 7/8 (251)	7 (178)	5 1/2 (130)	40 (1016)	63 3/4 (1619)	12 7/8 (327)	80 3/4 (1543)	6 (152)	44 (1118)	4 3/4 (121)	9 3/4 (248)	14 3/4 (375)	34 (864)	67 (1702)
25	14 1/8 (359)	11 1/4 (286)	7 1/2 (181)	62 1/2 (1588)	79 3/4 (2026)	13 3/4 (349)	76 3/4 (1949)	7 1/2 (191)	55 (1397)	6 (152)	12 1/2 (318)	16 1/2 (419)	41 1/2 (1054)	82 (2083)

◆ When Catalog Number Suffix "-M1," "-U2," or "-U3" is specified, cable-termination locations will be slightly affected. Consult your nearest S&C Sales Office for details.

Model PME-11

Dimensions in inches (mm)

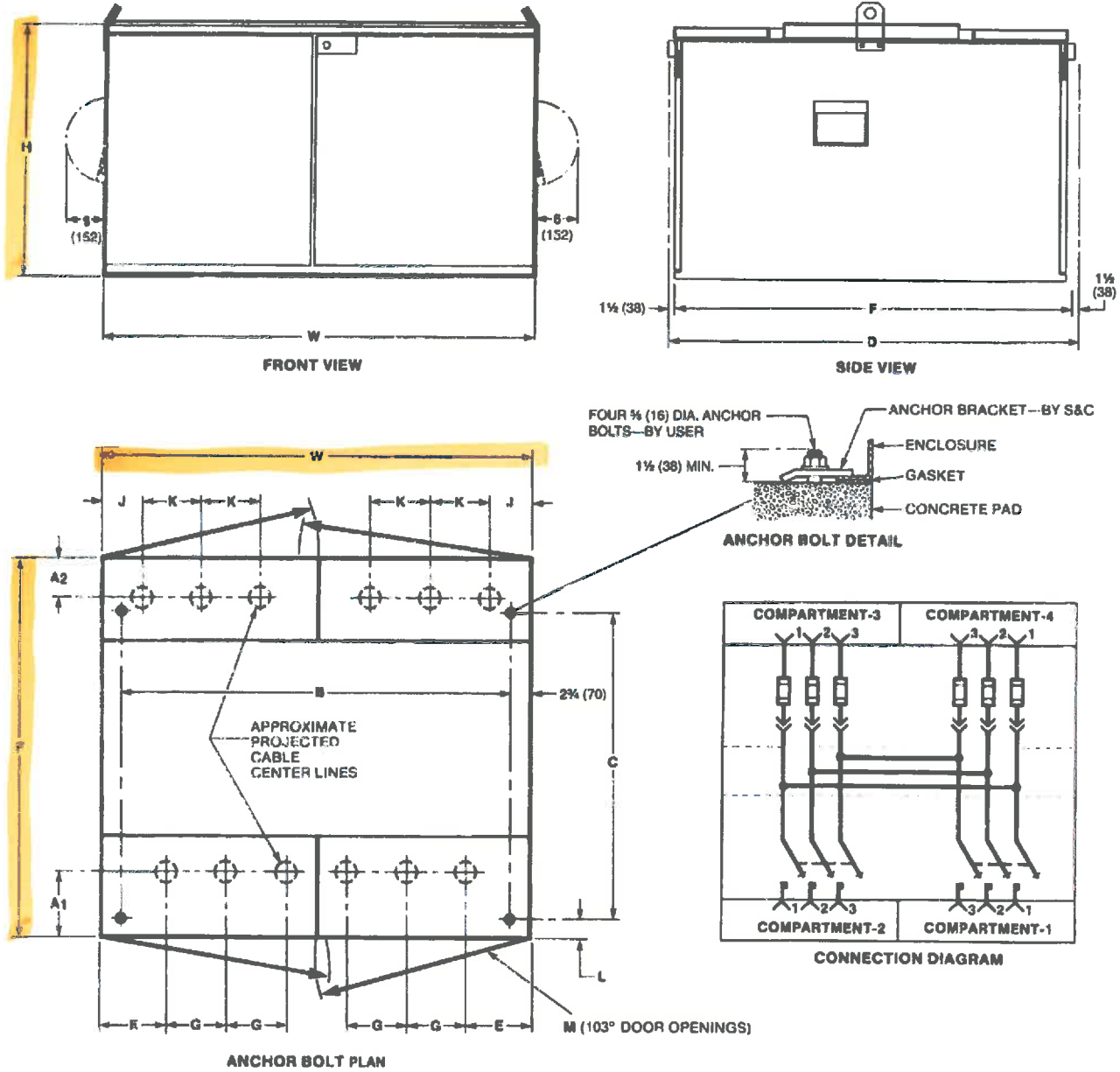


KV, Nominal	A ₁ ◆	A ₂ ◆	B	C	D	E	F	G	H	J	K	L	M	W
14.4	14½ (368)	7 (178)	69½ (1765)	55½ (1765)	75¾ (1924)	12¾ (314)	72¾ (1848)	8¼ (210)	45.5 (1156)	5½ (137)	10¼ (273)	8¾ (219)	38 (965)	75 (1905)
25	18½ (470)	8½ (206)	78½ (1994)	58½ (1468)	91¼ (2318)	12¾ (327)	88¼ (2242)	8¼ (210)	51.5 (1308)	6 (152)	12 (305)	14¾ (378)	42½ (1080)	84 (2134)

◆ Projected cable center lines are applicable for PME models with cable installed in a cable pit. For cable installed in conduit, refer to pages 22 and 23.

Model PME-9

Dimensions in inches (mm)



kV, Nominal	A ₁ ◆	A ₂ ◆	B	C	D	E	F	G	H	J	K	L	M	W
14.4	14 1/2 (368)	7 (178)	69 1/2 (1765)	49 1/2 (1257)	69 3/4 (1772)	12 3/4 (314)	66 3/4 (1695)	8 1/4 (210)	45.5 (1156)	5 3/8 (137)	10 3/4 (273)	8 3/8 (219)	38 (965)	75 (1905)
25	18 1/2 (470)	8 1/8 (206)	78 1/2 (1994)	52 (1321)	84 3/4 (2153)	12 7/8 (327)	81 3/4 (2076)	8 1/4 (210)	51.5 (1308)	6 (152)	12 (305)	14 7/8 (378)	42 1/2 (1080)	84 (2134)

◆ Projected cable center lines are applicable for PME models with cable installed in a cable pit. For cable installed in conduit, refer to pages 22 and 23.