

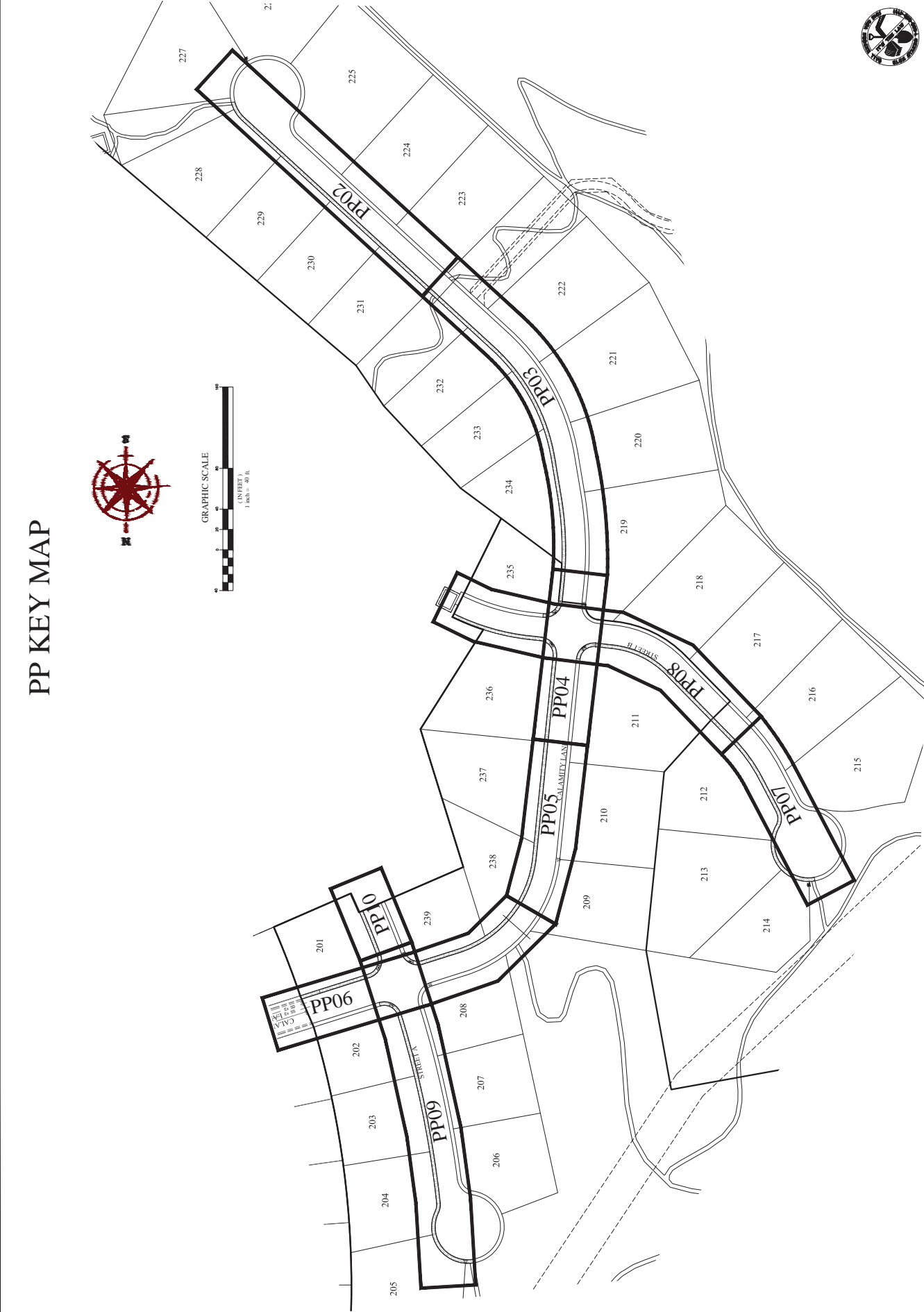
HOCUS
 ENGINEERING AND SURVEYING, LLC
 12 WEST CENTER STREET
 MIDVALE, UTAH 84047 PH: (801) 552-0075
 www.hocusllc.com



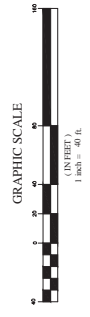
PARK CITY HEIGHTS
 PARK CITY, SUMMIT COUNTY, UTAH
PP KEY MAP

NO.	DATE	DESCRIPTION
1		
2		
3		
4		
5		
6		
7		
8		
9		
10		

PP KEY MAP
 Scale: 1" = 40' Date: 10/20/18 Drawn: BP Sheet: 16-388
PP01



PP KEY MAP



Z:\2018\16-388\16-388-1001-Park City Heights Design\16-388\Drawings\16-388-1001-PP KEY MAP.dwg



HFCUS ENGINEERING AND SURVEYING, LLC
32 WEST CENTER STREET
MIDVALE, UTAH 84047 PH: (801) 352-0075
www.hfcus.com



PARK CITY HEIGHTS PARK CITY, SUMMIT COUNTY, UTAH DETAILS

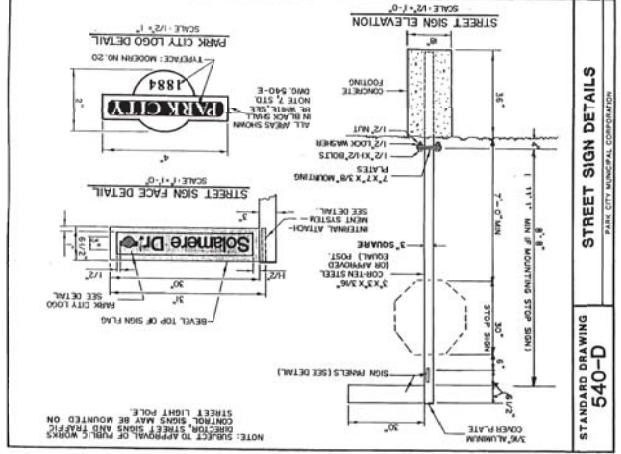
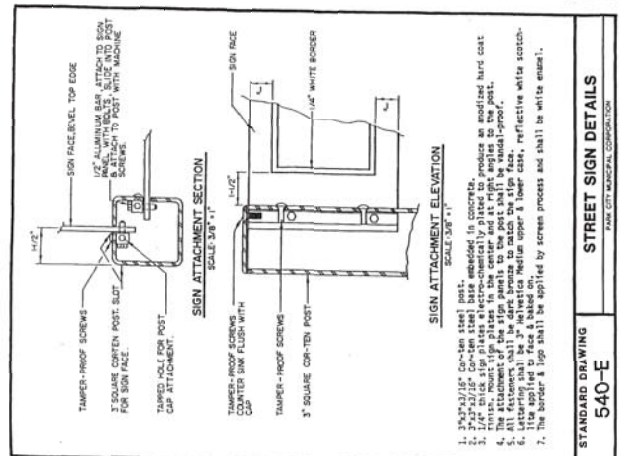
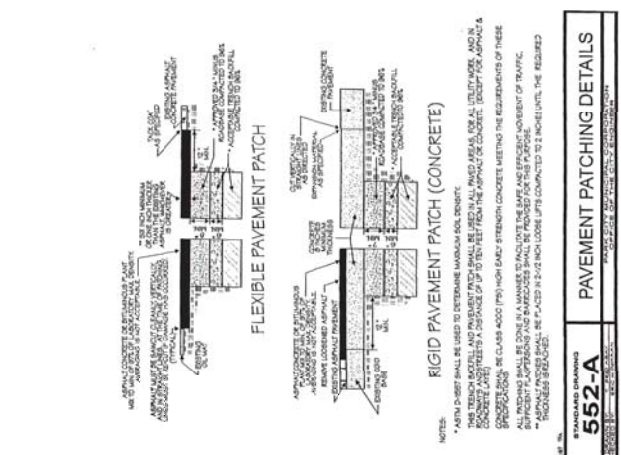
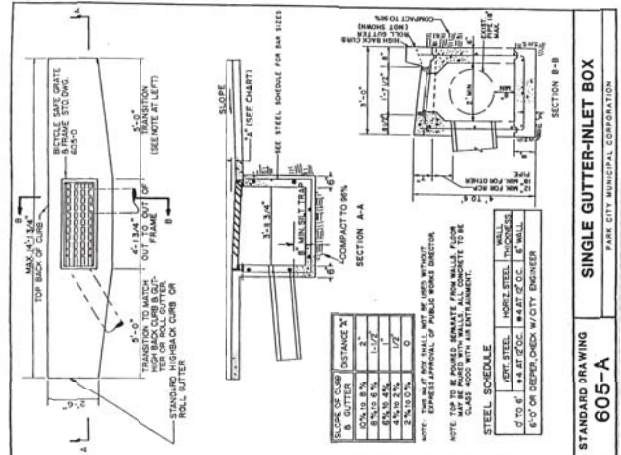
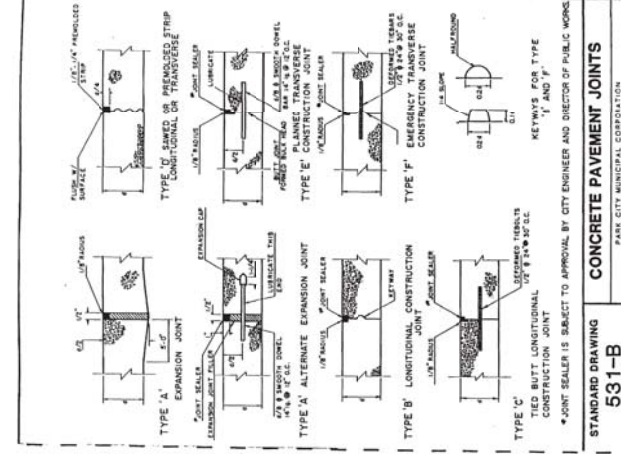
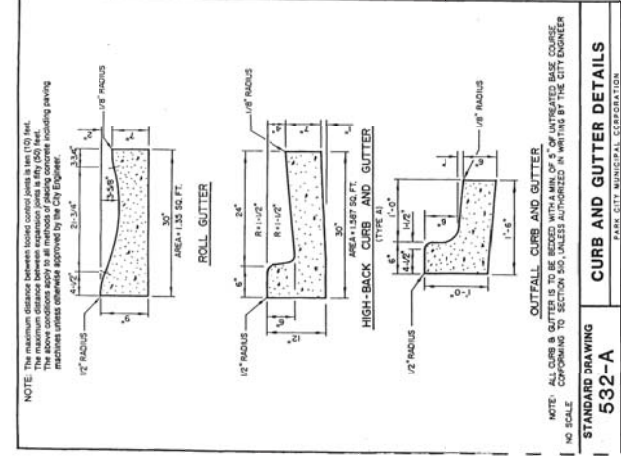
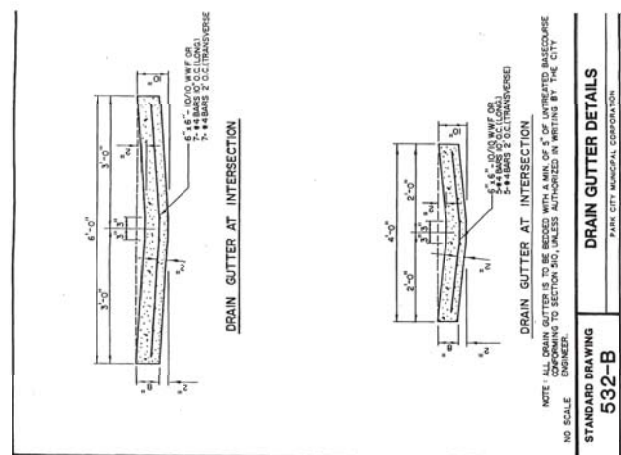
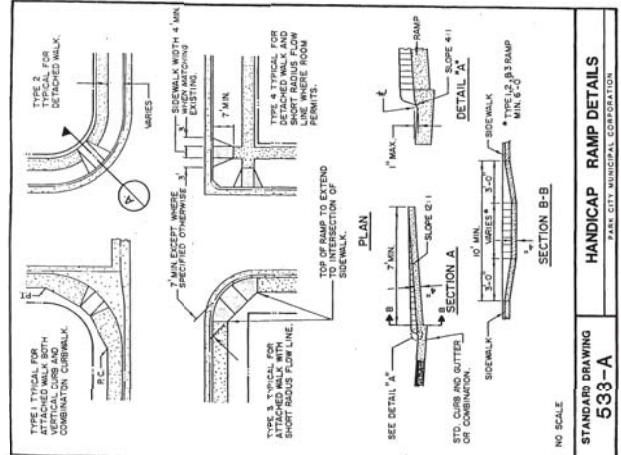
REVISION BLOCK

NO.	DATE	DESCRIPTION
1		
2		
3		
4		

DETAILS

NO.	DATE	DESCRIPTION
1		
2		
3		
4		

DD01





PARK CITY HEIGHTS

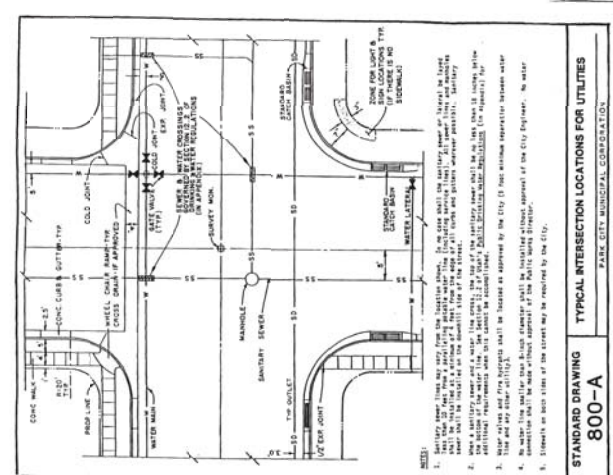
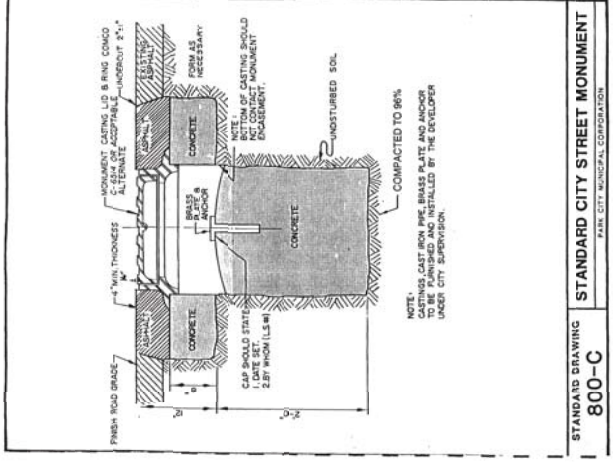
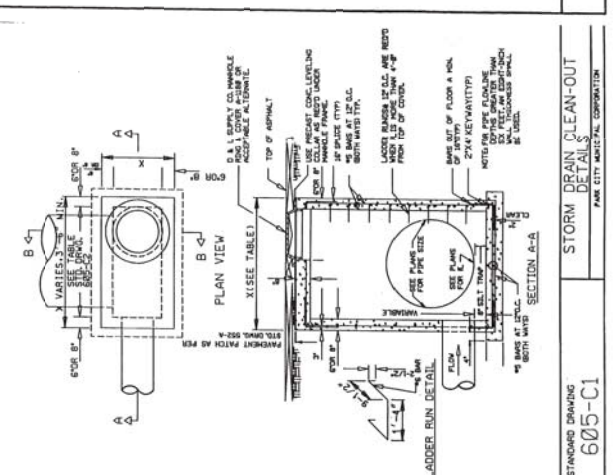
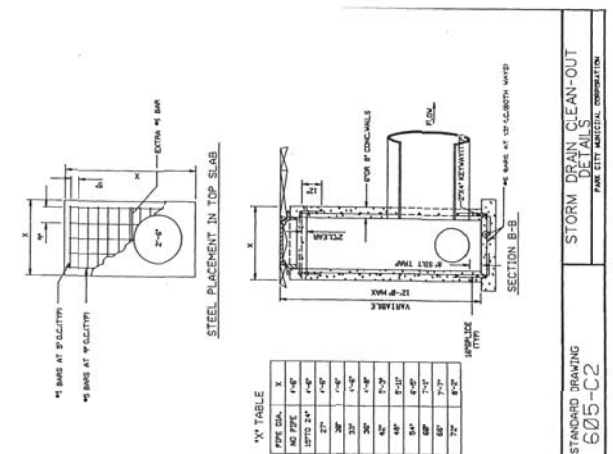
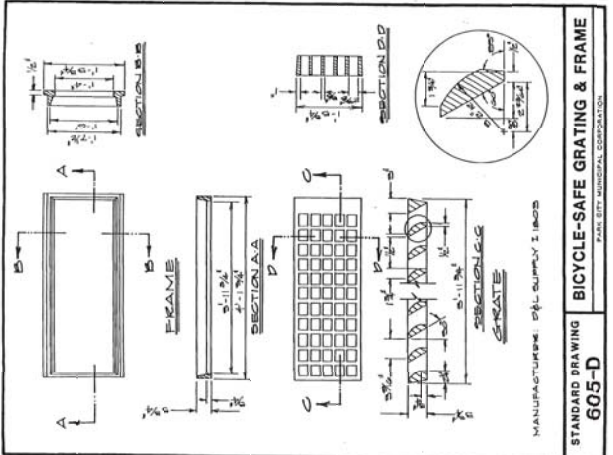
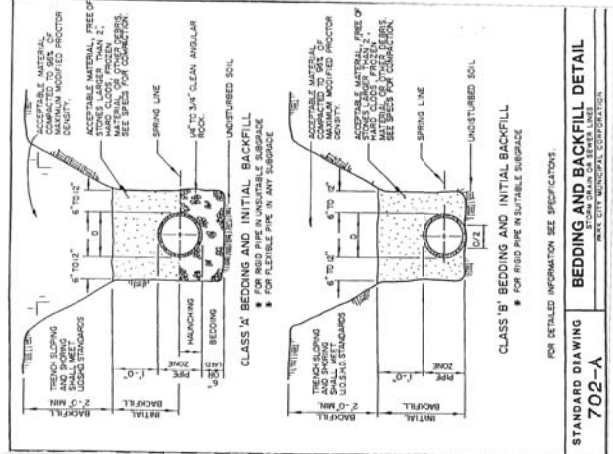
PARK CITY, SUMMIT COUNTY, UTAH

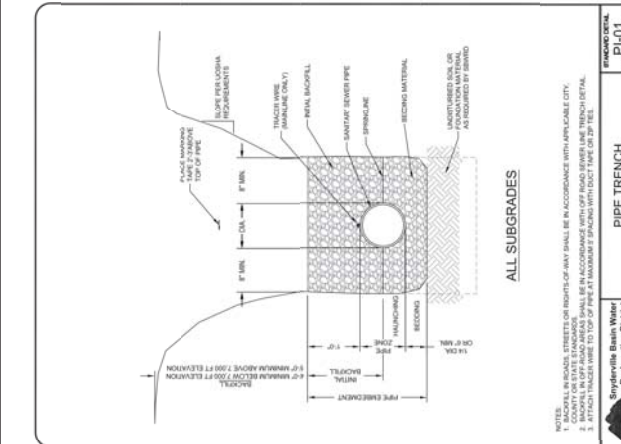
DETAILS

REVISION BLOCK	
NO.	DESCRIPTION
DATE	

DETAILS

Scale: N/A
Date: 1/9/2018
Sheet: 0002 of 01
DD02

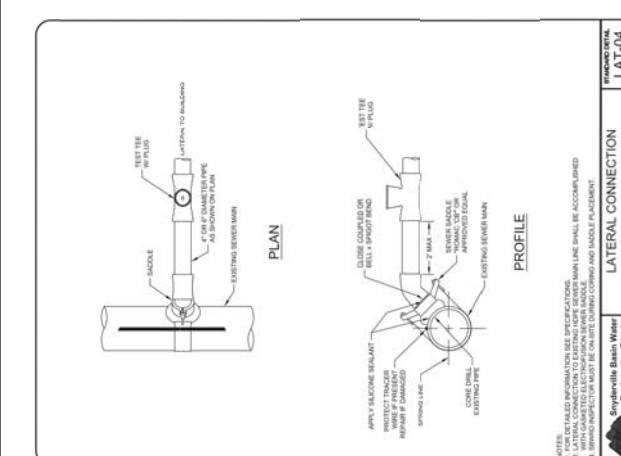




PH-01
PIPE TRENCH
Snyderville Basin Water Reclamation District
1/2018

REVISION BLOCK

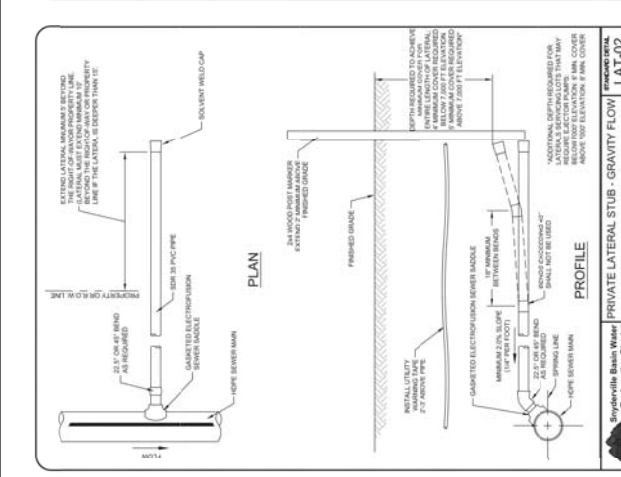
NO.	DATE	DESCRIPTION



PH-02
LATERAL CONNECTION TO EXISTING SEWER MAIN
Snyderville Basin Water Reclamation District
1/2018

REVISION BLOCK

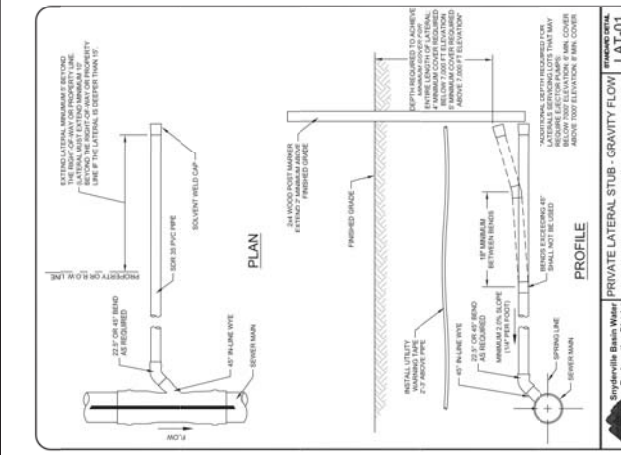
NO.	DATE	DESCRIPTION



PH-03
PRIVATE LATERAL STUB - GRAVITY FLOW PVC MAIN LINE TO PVC LATERAL LINE
Snyderville Basin Water Reclamation District
1/2018

REVISION BLOCK

NO.	DATE	DESCRIPTION



PH-04
PRIVATE LATERAL STUB - GRAVITY FLOW HOPE MAIN LINE TO PVC LATERAL LINE
Snyderville Basin Water Reclamation District
1/2018

REVISION BLOCK

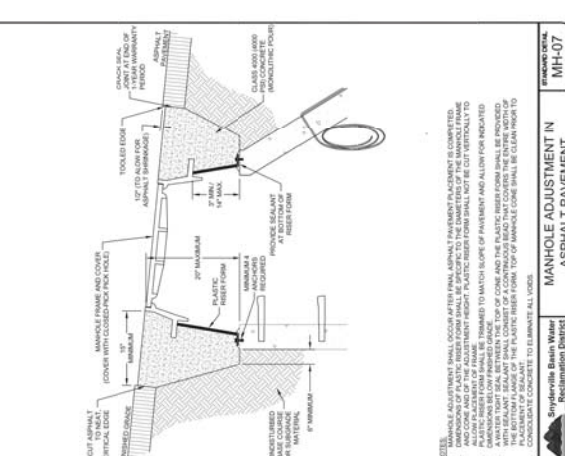
NO.	DATE	DESCRIPTION



MH-07
MANHOLE ADJUSTMENT IN ASPHALT PAVEMENT
Snyderville Basin Water Reclamation District
1/2018

REVISION BLOCK

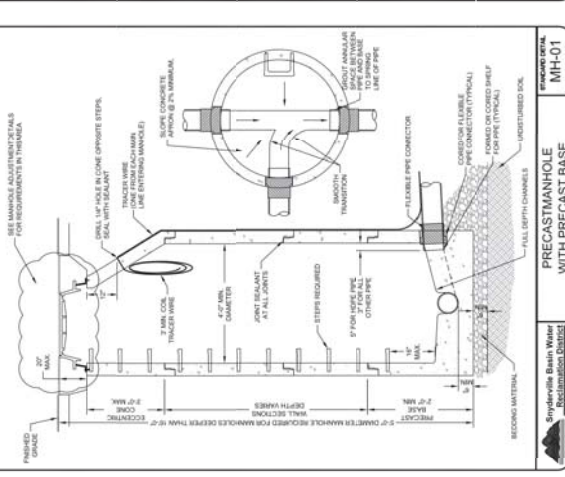
NO.	DATE	DESCRIPTION



MH-01
PRECAST MANHOLE WITH PRECAST BASE
Snyderville Basin Water Reclamation District
1/2018

REVISION BLOCK

NO.	DATE	DESCRIPTION



PH-03
TRENCH DIKE
Snyderville Basin Water Reclamation District
1/2018

REVISION BLOCK

NO.	DATE	DESCRIPTION



PARK CITY HEIGHTS
PARK CITY, SUMMIT COUNTY, UTAH
DETAILS



PARK CITY HEIGHTS
 PARK CITY, SUMMIT COUNTY, UTAH
 DETAILS

NO.	DATE	DESCRIPTION
1		
2		
3		
4		
5		
6		
7		
8		
9		
10		
11		
12		
13		
14		
15		
16		
17		
18		
19		
20		

DETAILS

Scale:	NA	Drawn:	BP
Date:	10/20/18	Job #:	16-388
Sheet:	DD04		

