

PRINCIPAL ARCHITECT
649 EAST SOUTH TEMPLE
SALT LAKE CITY, UT 84102
BUS. PH. (801) 941-1022
BUS. FAX (801) 352-8885
E-MAIL: jpk@crsa-ut.com

CONSTRUCTION MANAGEMENT
CONSTRUCTION CONTROL CORP.
440 SOUTH 400 EAST
SALT LAKE CITY, UT 84111
BUS. PH. (801) 574-1201
BUS. FAX (801) 574-2688
E-MAIL: katem@cccontrol.com

ARCHITECTURAL INTERIORS DESIGN
RNL DESIGN
1000 WEST 20TH AVENUE
SALT LAKE CITY, UT 84111
BUS. PH. (801) 296-1717
BUS. FAX (801) 296-0945
E-MAIL: rnl@rnl-design.com

MECHANICAL/PLUMBING ENGINEER
MAYNARD TINGBERN DESIGN
1600 STOUT AVENUE
SALT LAKE CITY, UT 84103
BUS. PH. (801) 332-0288
BUS. FAX (801) 332-0270
E-MAIL: mayn@tdesign.com

MECHANICAL/PLUMBING ENGINEER
CARL WALKER INC. CONSULTANT
2460 WEST 26TH AVENUE
SALT LAKE CITY, UT 84103
BUS. PH. (801) 844-8800
BUS. FAX (801) 844-8033
E-MAIL: carl@carlwalker.com

MAINTENANCE ADDITION, FUEL CANOPY & SALT STORAGE
R2H ENGINEERING
12244 S. BUSINESS PARK DRIVE SUITE 100
SALT LAKE CITY, UT 84119
BUS. PH. (801) 386-5837
BUS. FAX (801) 386-5838
E-MAIL: rnh@r2h.com

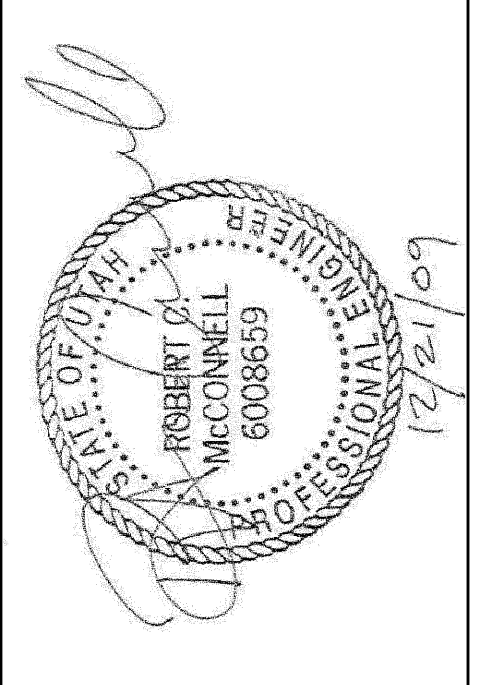
ELECTRICAL ENGINEER
MECHANICAL PLUMBING ENGINEERING ASSOC. INC.
244 WEST 300 NORTH
SALT LAKE CITY, UT 84103
BUS. PH. (801) 332-2400
BUS. FAX (801) 332-2400
E-MAIL: fmb@mpeng.com

ELECTRICAL ENGINEER
SANDY
600 WEST SANDY PARKWAY
SANDY, UT 84070
BUS. PH. (801) 541-0387
BUS. FAX (801) 541-0387
E-MAIL: jross@jross.com

GEOTECHNICAL ENGINEER
SANDY
600 WEST SANDY PARKWAY
SANDY, UT 84070
BUS. PH. (801) 541-0387
BUS. FAX (801) 541-0387
E-MAIL: hawkes@sgcinc.com

IRON HORSE TRANSIT OPERATIONS FACILITY
1053 IRON HORSE DRIVE
PARK CITY, UTAH 84060

PARK CITY PUBLIC WORKS DEPARTMENT
1053 IRON HORSE DRIVE
PARK CITY, UTAH 84060

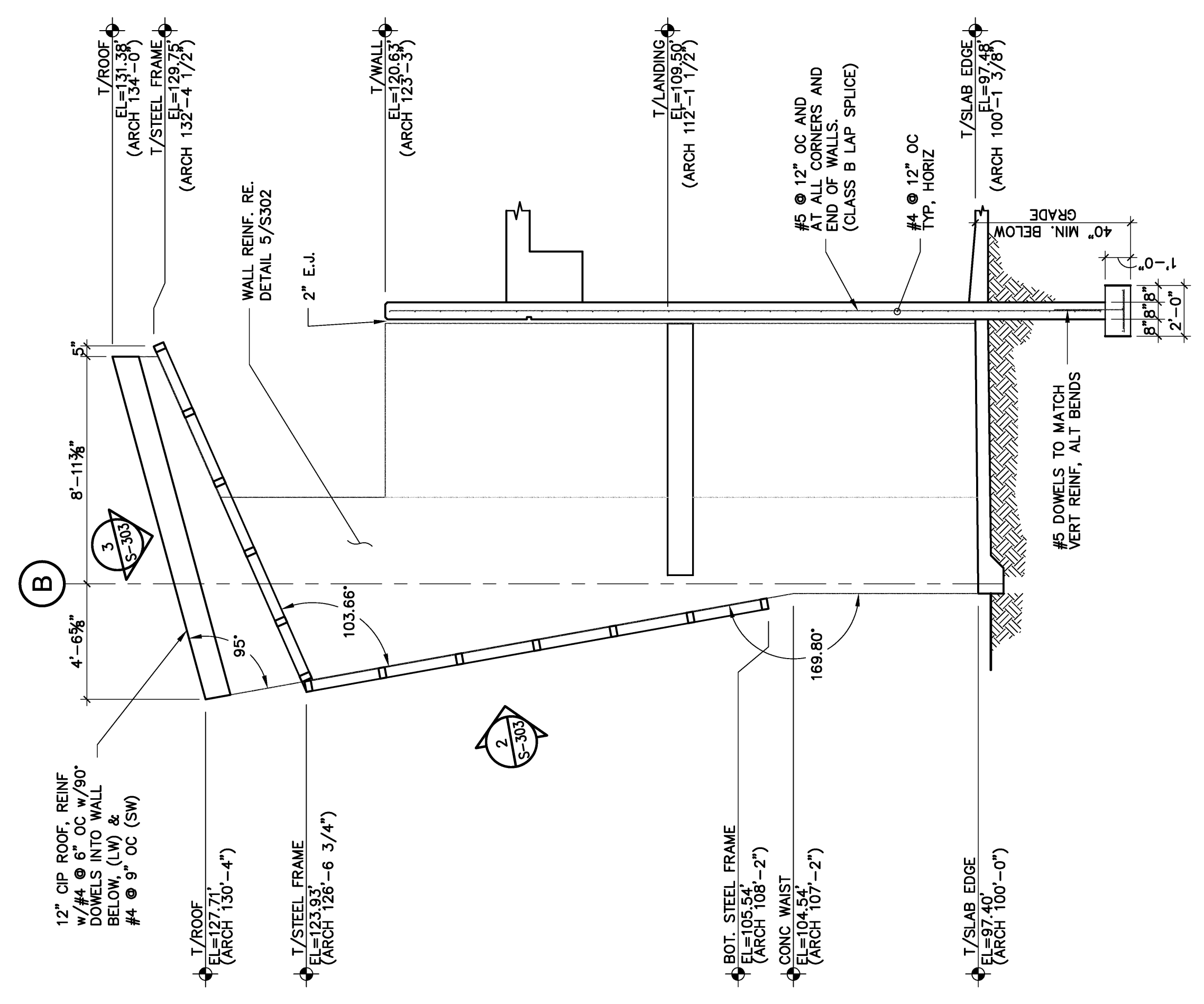


Carl Walker
Parking Engineering Restoration
12-21-2009 CONSTRUCTION BID SET

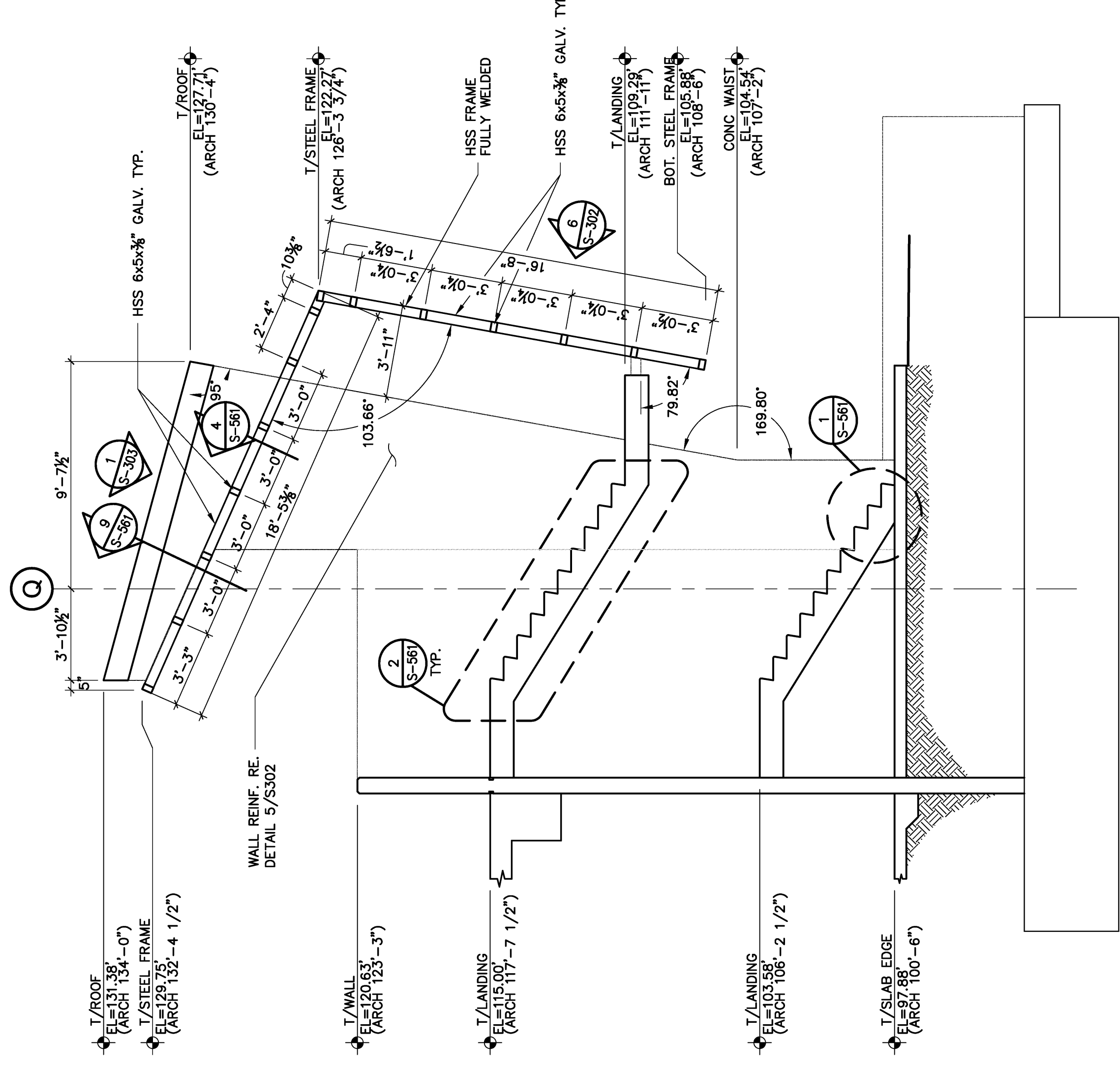
PROJECT NO: NS-2009-3466
CAD DWG FILE: NS-2009-3466-03020C.dwg
DRAWN BY: RCV
REVIEW: RCV
CHECKED BY: TUCO

STRUCTURAL
WALL SECTIONS

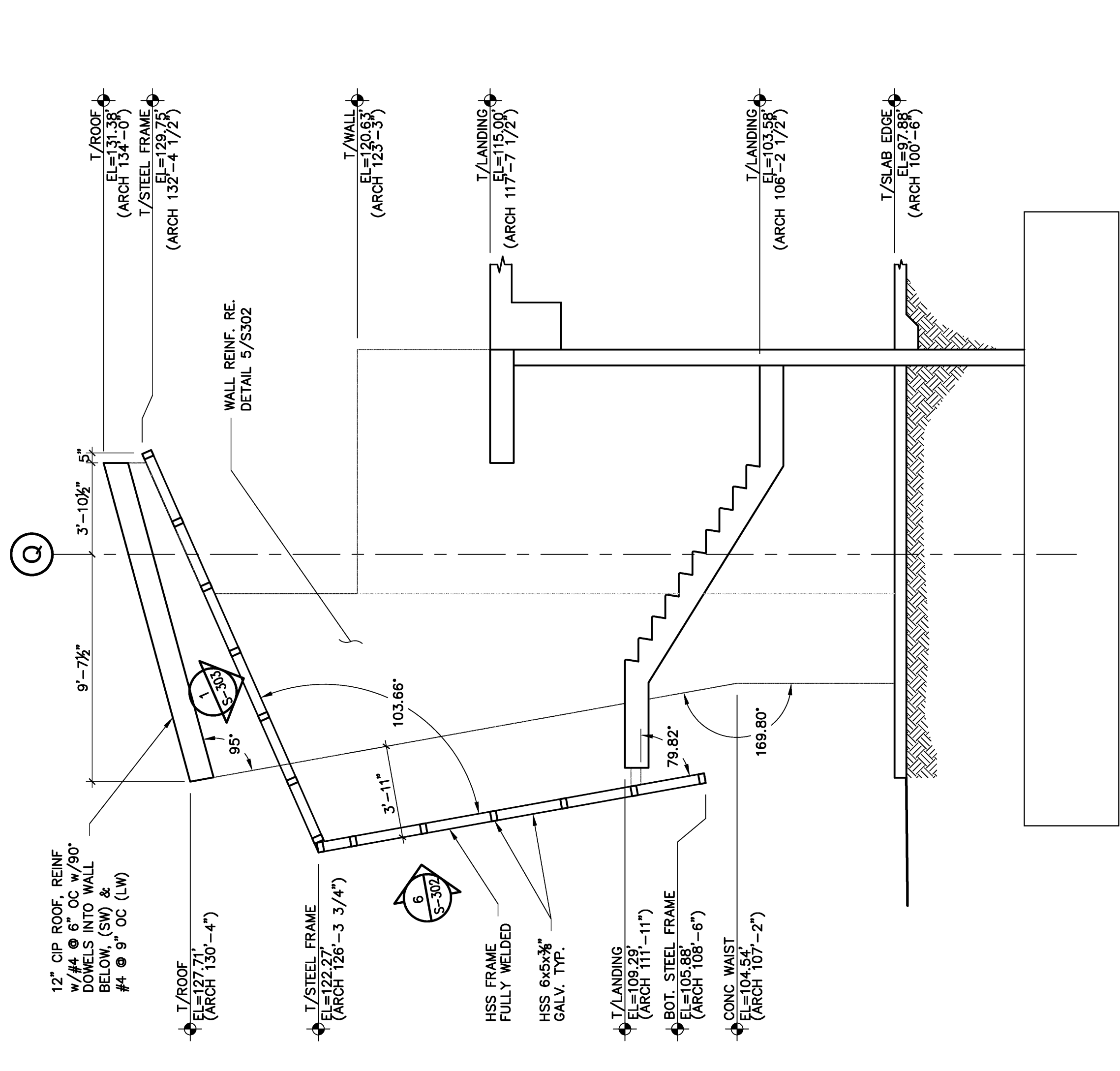
S-302



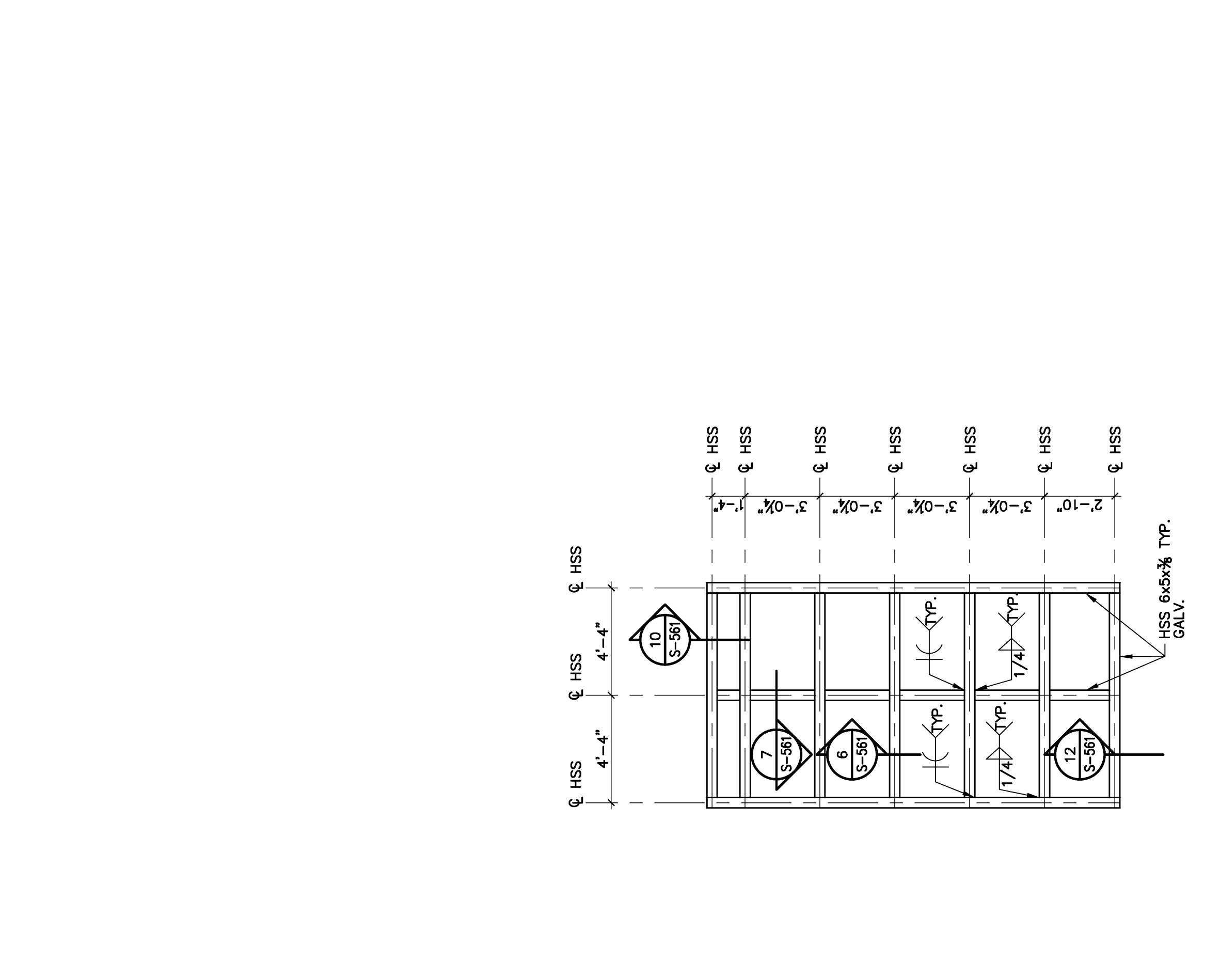
3 STAIR # 2 WALL SECTION
1/4"=1'-0"



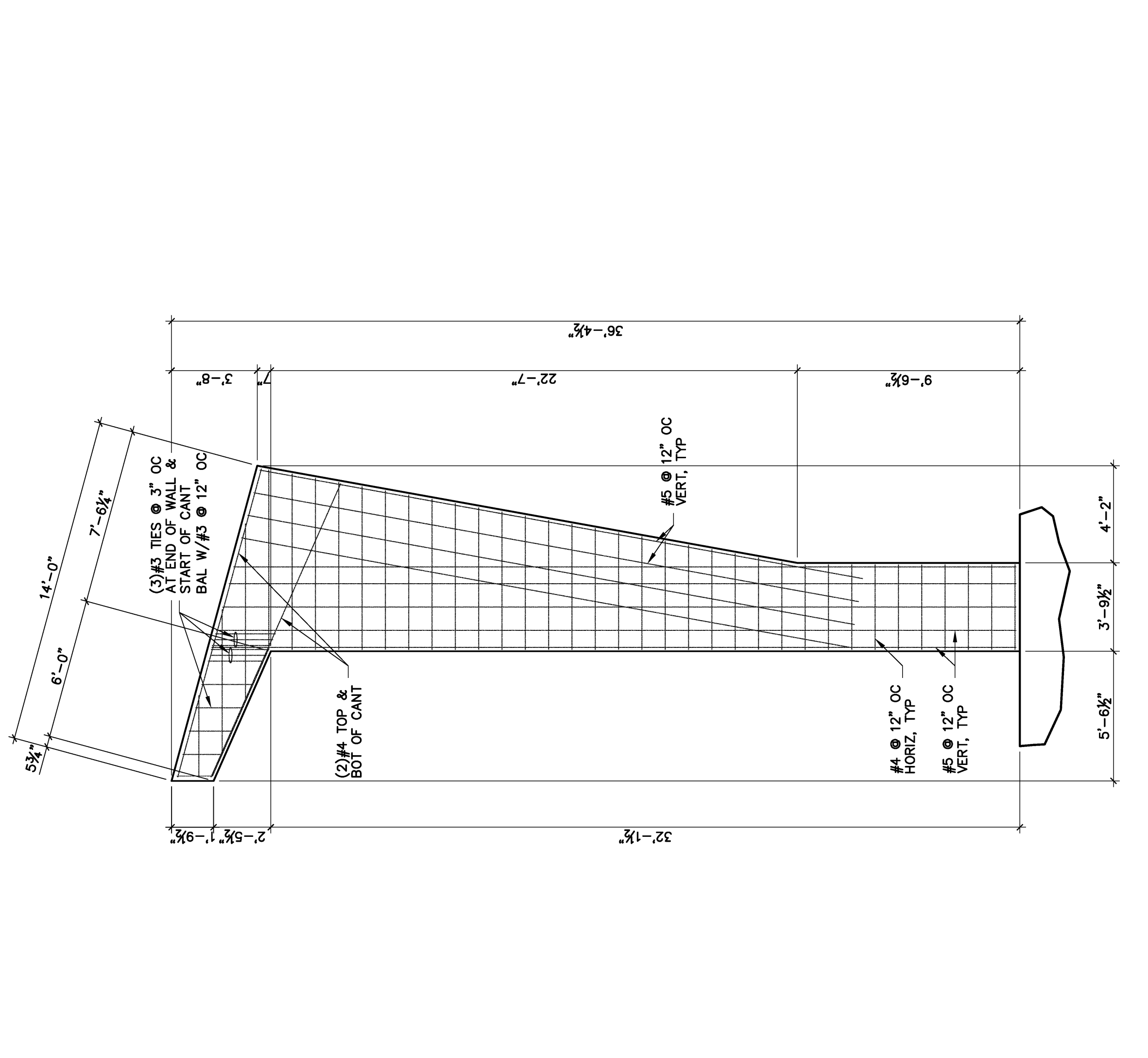
2 STAIR # 1 WALL SECTION
1/4"=1'-0"



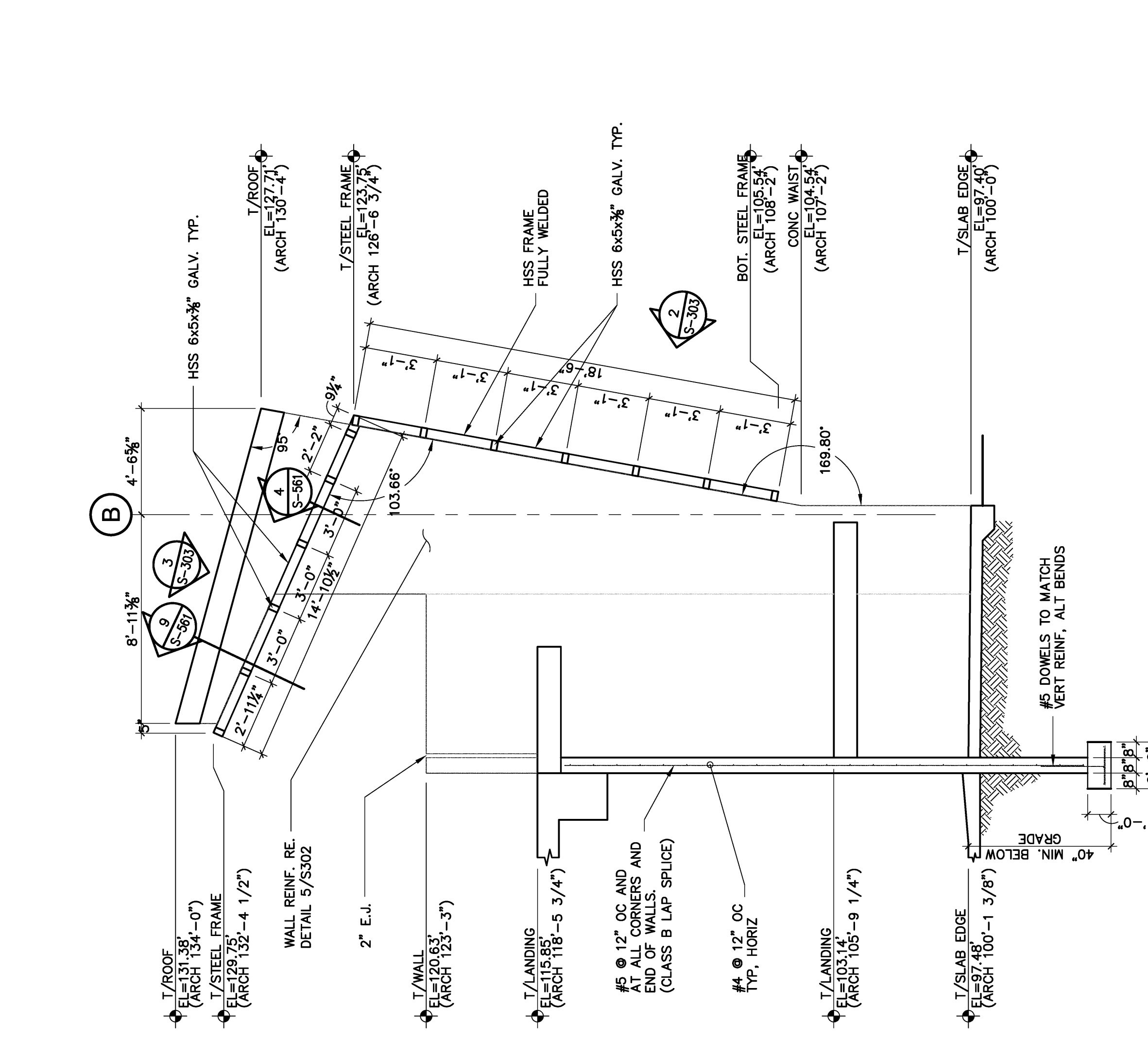
1 STAIR # 1 WALL SECTION
1/4"=1'-0"



6 STAIR # 1 HSS FRAME FRONT ELEVATION
1/4"=1'-0"

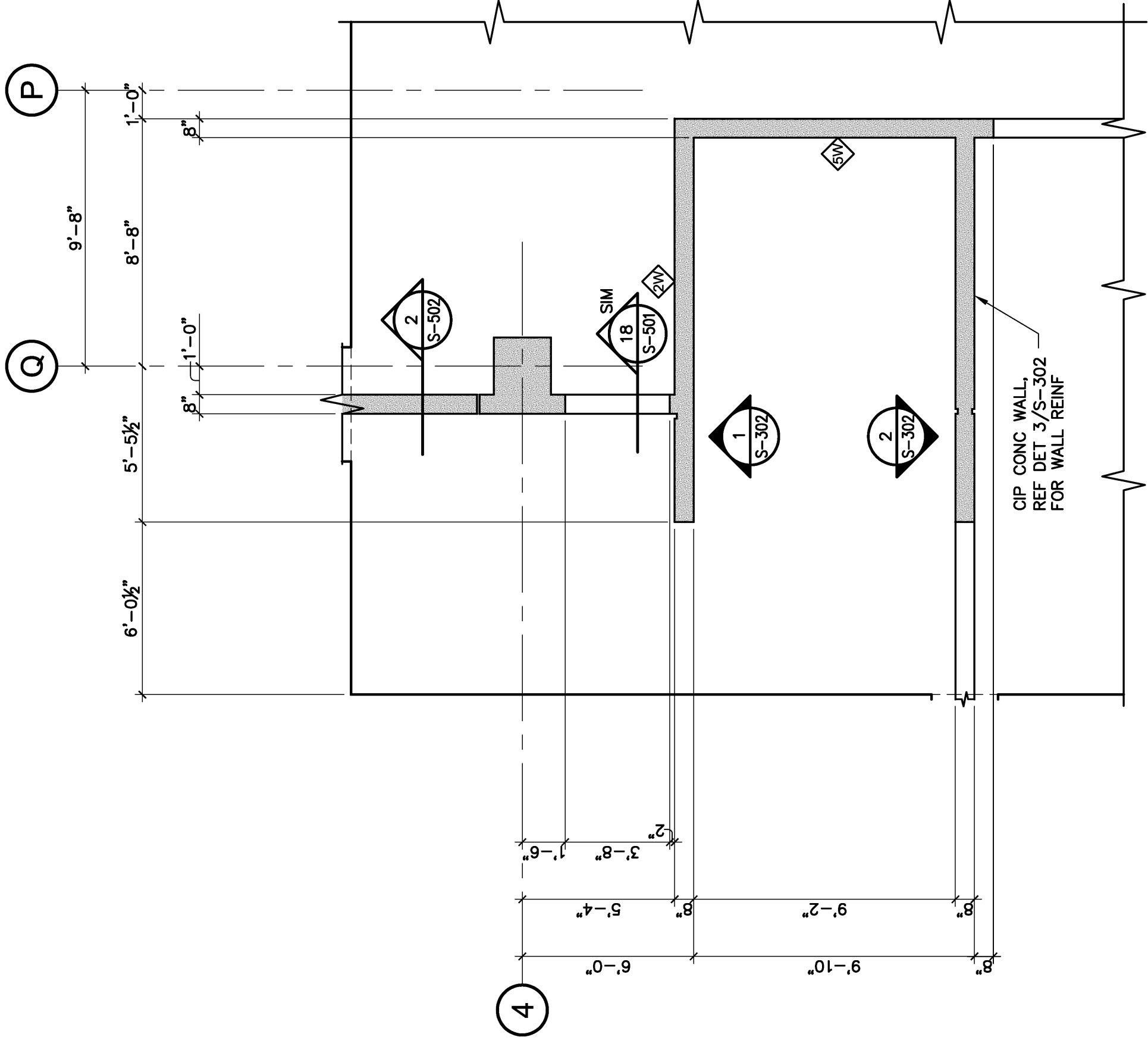


5 STAIR # 1 & 2 WALL REINFORCING ELEVATION
1/4"=1'-0"

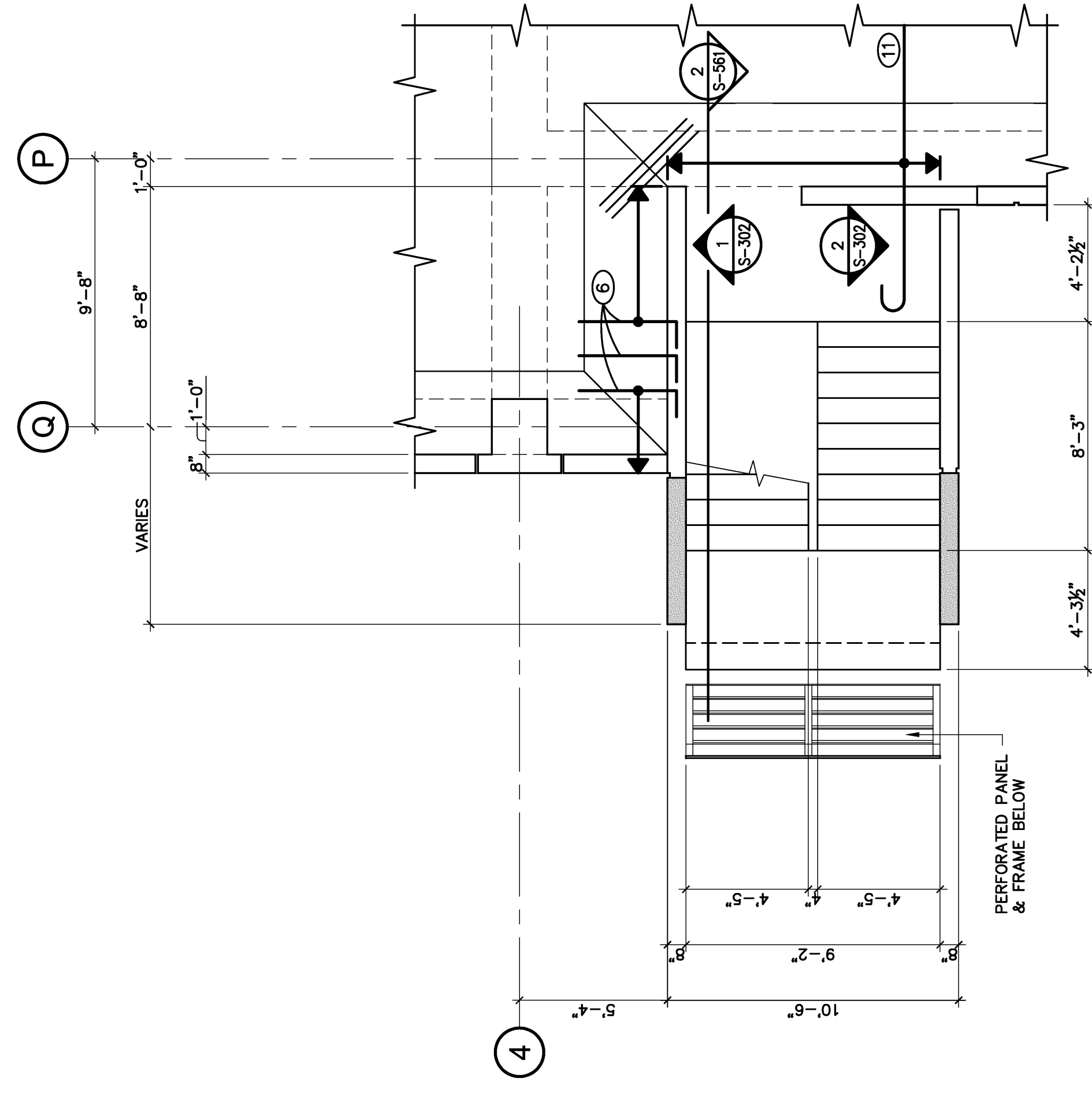


4 STAIR # 2 WALL SECTION
1/4"=1'-0"

REFER TO 5/5-302 FOR REINFORCING AND DIMENSIONS

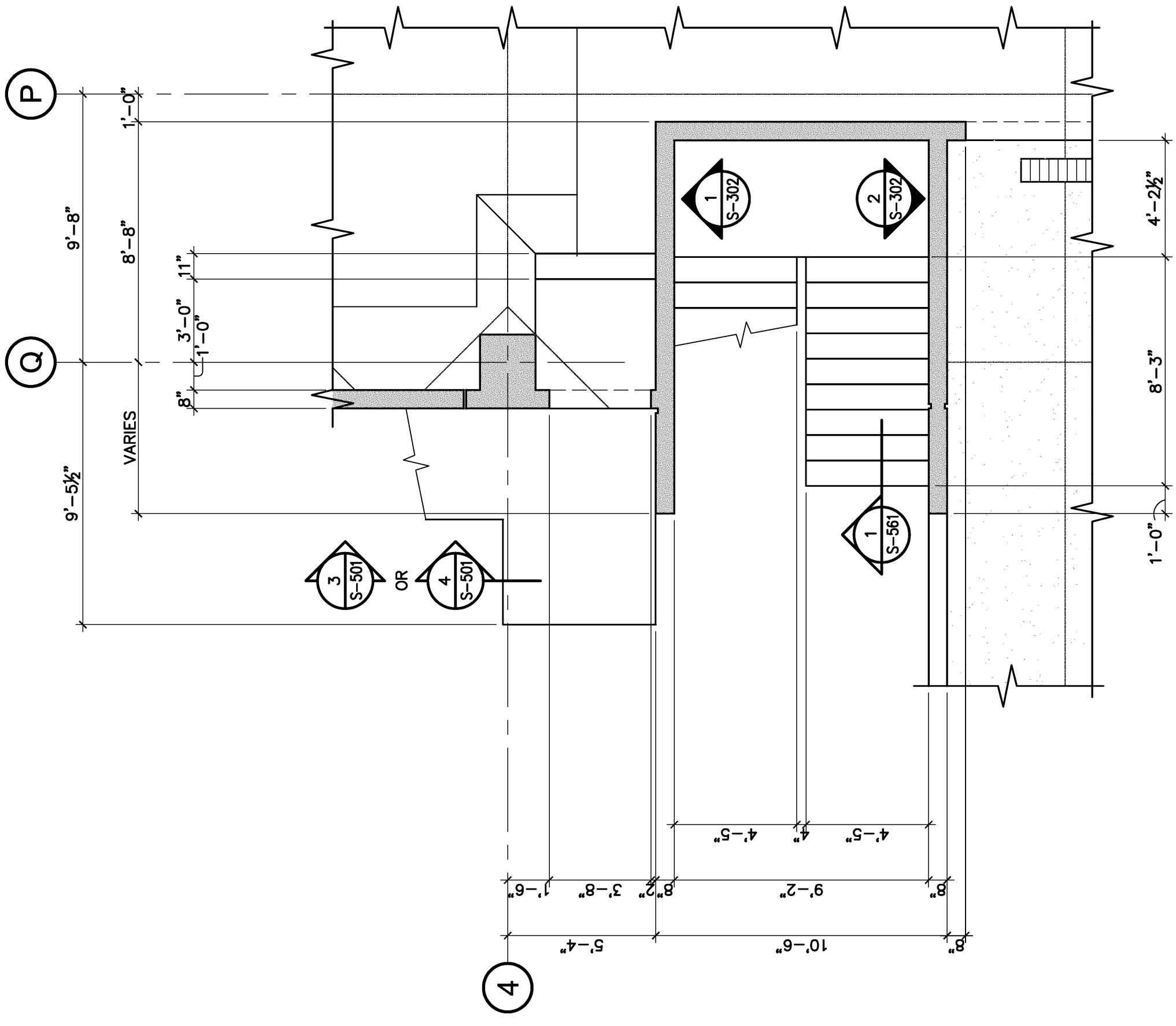


1 STAIR #1 ENLARGED FOUNDATION PLAN
1/4"=1'-0"



NOTE:
1. REFER TO PLAN FOR ADDITIONAL INFORMATION OR SLAB REINFORCING
2. PROVIDE 3-PART INDUSTRIAL COATING FOR STEEL FRAME. REFER TO GENERAL NOTES FOR ADD'L INFO.

3 STAIR #1 ENLARGED LEVEL TWO PLAN
1/4"=1'-0"



2 STAIR #1 ENLARGED LEVEL ONE PLAN
1/4"=1'-0"

CRSA
ARCHITECTURE
PLANNING
INTERIORS
449 E SOUTH TEMPLE
SALT LAKE CITY, UT 84102
801.366.9715
www.crsa-ut.com

PRINCIPAL ARCHITECT
649 EAST SOUTH TEMPLE
SALT LAKE CITY, UTAH 84102
801.366.9715
BUS. FAX (801) 352-9885
E-MAIL: jpk@crsa-ut.com

CONSTRUCTION MANAGEMENT
CONSTRUCTION CONTROL CORP.
480 SOUTH 400 EAST
SALT LAKE CITY, UTAH 84111
BUS. FAX (801) 578-2088
E-MAIL: tsammi@cccoah.com

ARCHITECTURAL INTERIORS DESIGN
RNL DESIGN
1000 WEST 1ST STREET
SUITE A-200
SALT LAKE CITY, UTAH 84119
BUS. PH. (801) 295-1717
BUS. FAX (801) 752-0845
E-MAIL: Tami@RNLDESIGN.com

MAINTENANCE FACILITY
1600 STOUT AVENUE
SALT LAKE CITY, UTAH 84119
BUS. FAX (801) 578-2088
E-MAIL: tsammi@cccoah.com

CONSULTANT
CARL WALKER INC.
2460 WEST 26TH AVENUE
SALT LAKE CITY, UTAH 84119
BUS. FAX (801) 884-8000
BUS. PH. (801) 386-5837

MECHANICAL PLUMBING ENGINEER
SPECTRUM ENGINEERING ASSOC. INC.
244 WEST 300 NORTH
SALT LAKE CITY, UTAH 84103
BUS. FAX (801) 222-2400
BUS. PH. (801) 222-2400
E-MAIL: rrobey@sca-ut.com

ELECTRICAL ENGINEER
SPECTRUM ENGINEERING ASSOC. INC.
244 WEST 300 NORTH
SALT LAKE CITY, UTAH 84103
BUS. FAX (801) 222-2400
BUS. PH. (801) 222-2400
E-MAIL: rrobey@sca-ut.com

STRUCTURAL ENGINEER
SPECTRUM ENGINEERING ASSOC. INC.
244 WEST 300 NORTH
SALT LAKE CITY, UTAH 84103
BUS. FAX (801) 222-2400
BUS. PH. (801) 222-2400
E-MAIL: rrobey@sca-ut.com

MECHANICAL ENGINEER
SPECTRUM ENGINEERING ASSOC. INC.
244 WEST 300 NORTH
SALT LAKE CITY, UTAH 84103
BUS. FAX (801) 222-2400
BUS. PH. (801) 222-2400
E-MAIL: rrobey@sca-ut.com

MECHANICAL ENGINEER
SPECTRUM ENGINEERING ASSOC. INC.
244 WEST 300 NORTH
SALT LAKE CITY, UTAH 84103
BUS. FAX (801) 222-2400
BUS. PH. (801) 222-2400
E-MAIL: rrobey@sca-ut.com

MECHANICAL ENGINEER
SPECTRUM ENGINEERING ASSOC. INC.
244 WEST 300 NORTH
SALT LAKE CITY, UTAH 84103
BUS. FAX (801) 222-2400
BUS. PH. (801) 222-2400
E-MAIL: rrobey@sca-ut.com

MECHANICAL ENGINEER
SPECTRUM ENGINEERING ASSOC. INC.
244 WEST 300 NORTH
SALT LAKE CITY, UTAH 84103
BUS. FAX (801) 222-2400
BUS. PH. (801) 222-2400
E-MAIL: rrobey@sca-ut.com

MECHANICAL ENGINEER
SPECTRUM ENGINEERING ASSOC. INC.
244 WEST 300 NORTH
SALT LAKE CITY, UTAH 84103
BUS. FAX (801) 222-2400
BUS. PH. (801) 222-2400
E-MAIL: rrobey@sca-ut.com

MECHANICAL ENGINEER
SPECTRUM ENGINEERING ASSOC. INC.
244 WEST 300 NORTH
SALT LAKE CITY, UTAH 84103
BUS. FAX (801) 222-2400
BUS. PH. (801) 222-2400
E-MAIL: rrobey@sca-ut.com

MECHANICAL ENGINEER
SPECTRUM ENGINEERING ASSOC. INC.
244 WEST 300 NORTH
SALT LAKE CITY, UTAH 84103
BUS. FAX (801) 222-2400
BUS. PH. (801) 222-2400
E-MAIL: rrobey@sca-ut.com

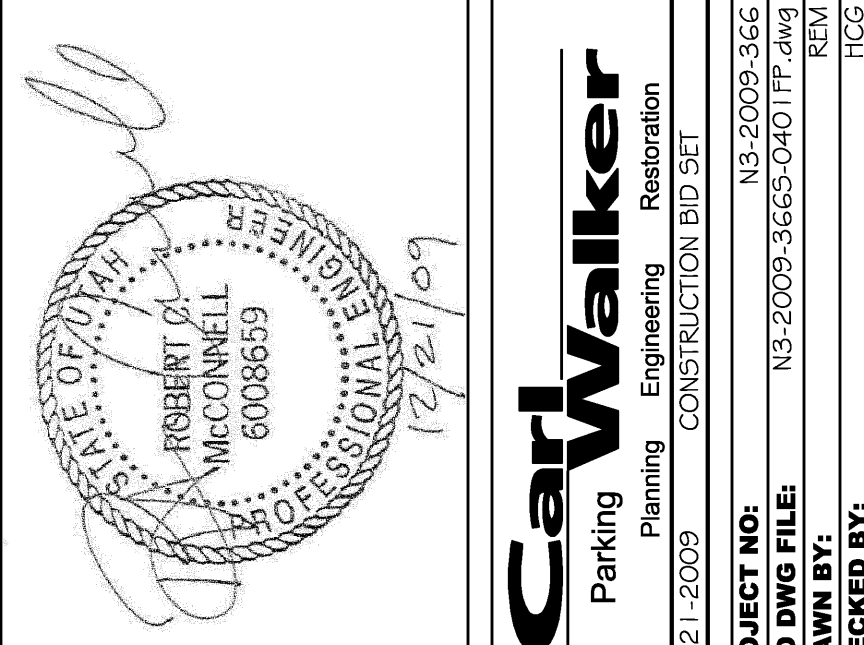
MECHANICAL ENGINEER
SPECTRUM ENGINEERING ASSOC. INC.
244 WEST 300 NORTH
SALT LAKE CITY, UTAH 84103
BUS. FAX (801) 222-2400
BUS. PH. (801) 222-2400
E-MAIL: rrobey@sca-ut.com

MECHANICAL ENGINEER
SPECTRUM ENGINEERING ASSOC. INC.
244 WEST 300 NORTH
SALT LAKE CITY, UTAH 84103
BUS. FAX (801) 222-2400
BUS. PH. (801) 222-2400
E-MAIL: rrobey@sca-ut.com

MECHANICAL ENGINEER
SPECTRUM ENGINEERING ASSOC. INC.
244 WEST 300 NORTH
SALT LAKE CITY, UTAH 84103
BUS. FAX (801) 222-2400
BUS. PH. (801) 222-2400
E-MAIL: rrobey@sca-ut.com

MECHANICAL ENGINEER
SPECTRUM ENGINEERING ASSOC. INC.
244 WEST 300 NORTH
SALT LAKE CITY, UTAH 84103
BUS. FAX (801) 222-2400
BUS. PH. (801) 222-2400
E-MAIL: rrobey@sca-ut.com

MECHANICAL ENGINEER
SPECTRUM ENGINEERING ASSOC. INC.
244 WEST 300 NORTH
SALT LAKE CITY, UTAH 84103
BUS. FAX (801) 222-2400
BUS. PH. (801) 222-2400
E-MAIL: rrobey@sca-ut.com



Carl Walker
Parking Engineering Restoration
CONSTRUCTION BID SET
PROJECT NO: NS-2009-366
CAD DWG FILE: NS-2009-3665-040 (FP.dwg)
DRAWN BY: RCB
CHECKED BY: TUCD

STRUCTURAL
ENLARGED PLANS
STAIR #1

S-401

**IRON HORSE
TRANSIT OPERATIONS
FACILITY**
1053 IRON HORSE DRIVE
PARK CITY, UTAH 84060

**PARK CITY
PUBLIC WORKS
DEPARTMENT**
1053 IRON HORSE DRIVE
PARK CITY, UTAH 84060



CRSA ARCHITECTURE INTERIORS
 449 E SOUTH TEMPLE
 SALT LAKE CITY, UT 84102
 801.366.6915
 www.crsa-ut.com

PRINCIPAL ARCHITECT
 649 EAST SOUTH TEMPLE
 SALT LAKE CITY, UT 84102
 801.366.6915
 E-MAIL: jpk@crsa-ut.com

CONSTRUCTION MANAGEMENT
 460 SOUTH 400 EAST
 SALT LAKE CITY, UT 84111
 801.578.1201
 E-MAIL: tamem@cccoah.com

ARCHITECTURAL DESIGN
 1911 WEST 1ST STREET
 SUITE A-200
 SALT LAKE CITY, UT 84119
 801.752-2645
 E-MAIL: tim@brnl.com

MAINTENANCE FACILITY
 1600 STOUT AVENUE
 SALT LAKE CITY, UT 84119
 801.332-2286
 E-MAIL: tom@brnl.com

CONSULTANT
 2460 WEST 26TH AVENUE
 SUITE 100
 SALT LAKE CITY, UT 84119
 801.884-8800
 E-MAIL: tom@brnl.com

MECHANICAL PLUMBING ENGINEER
 244 WEST 300 NORTH
 SALT LAKE CITY, UT 84103
 801.322-2406
 E-MAIL: tom@brnl.com

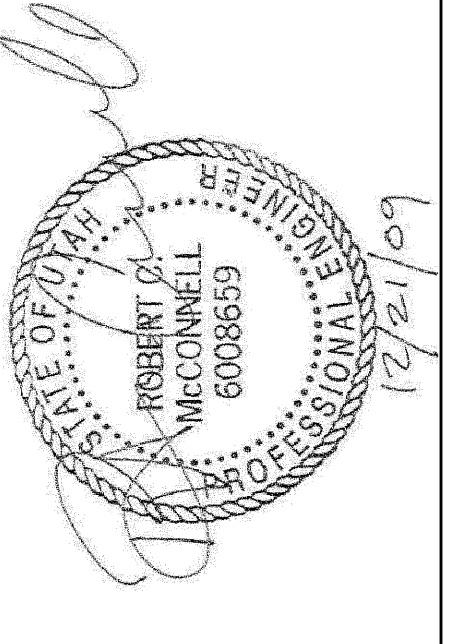
ELECTRICAL ENGINEER
 324 S. STATE STREET
 SUITE 400
 SALT LAKE CITY, UT 84111
 801.328-5155
 E-MAIL: dch@spectrum-engineers.com

STRUCTURAL ENGINEER
 468 NORTH 900 WEST
 SUITE 100
 SALT LAKE CITY, UT 84119
 801.541-0393
 E-MAIL: jpk@brnl.com

GEOTECHNICAL ENGINEER
 600 WEST SANDY PARKWAY
 SANDY, UT 84070
 801.578-8888
 E-MAIL: hawkes@sgcinc.com

IRON HORSE TRANSIT OPERATIONS FACILITY
 1053 IRON HORSE DRIVE
 PARK CITY, UT 84300

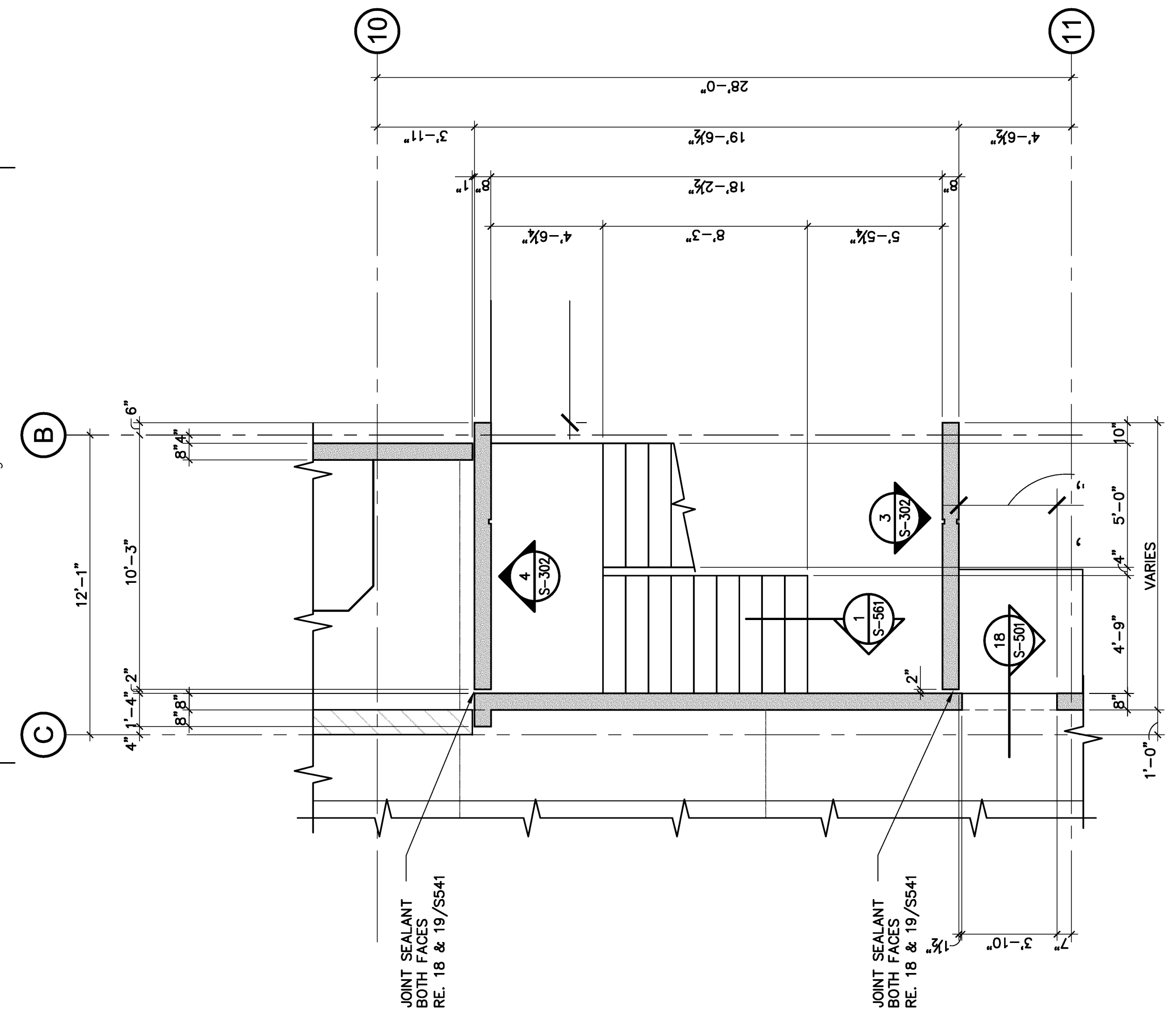
PARK CITY PUBLIC WORKS DEPARTMENT
 1053 IRON HORSE DRIVE
 PARK CITY, UT 84300



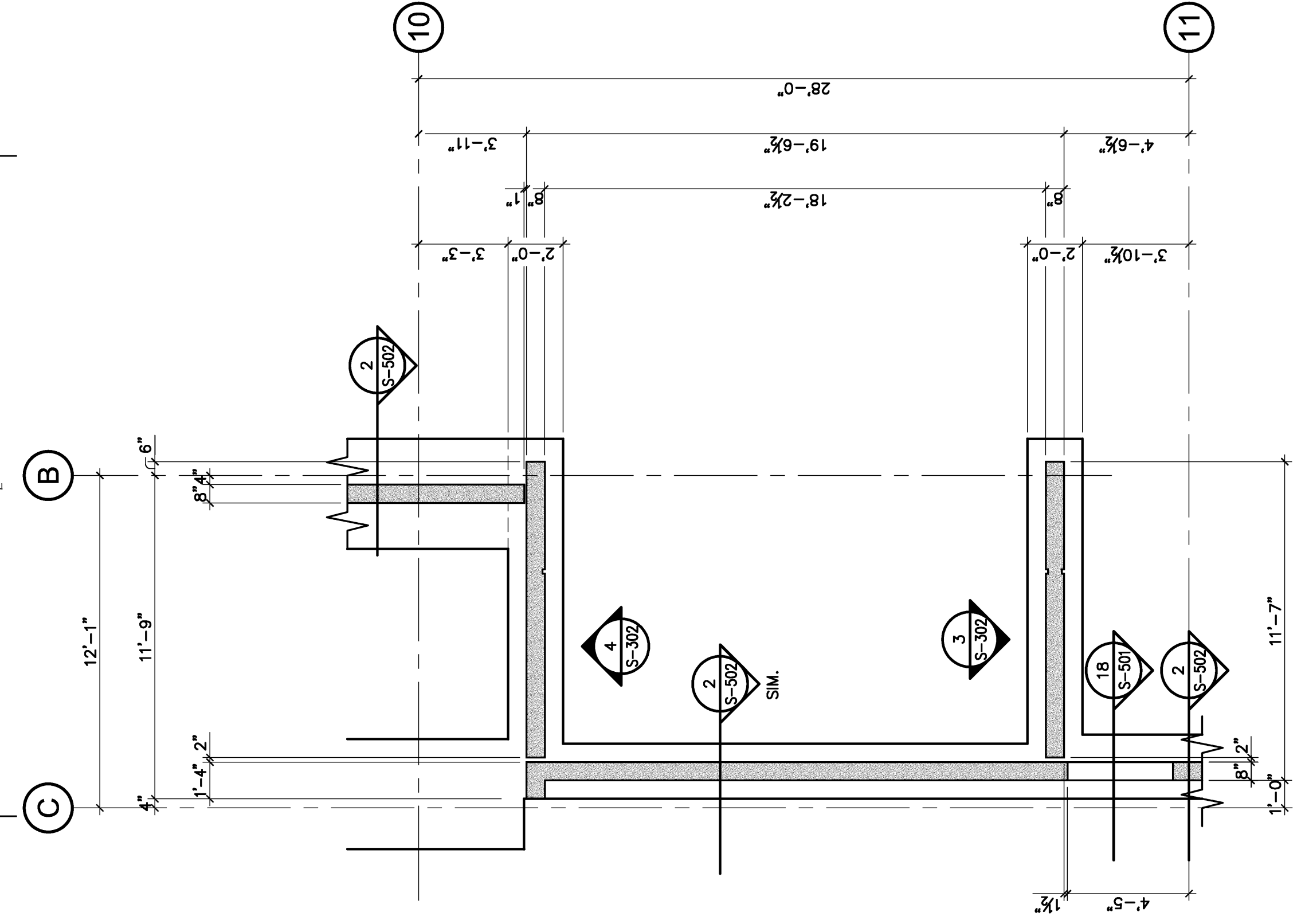
PROJECT NO: NS-2009-366
 CAD DWG FILE: NS-2009-366-C041.TIF.dwg
 DRAWN BY: RCV
 CHECKED BY: TUCO

STRUCTURAL ENLARGED PLANS
STAIR #2

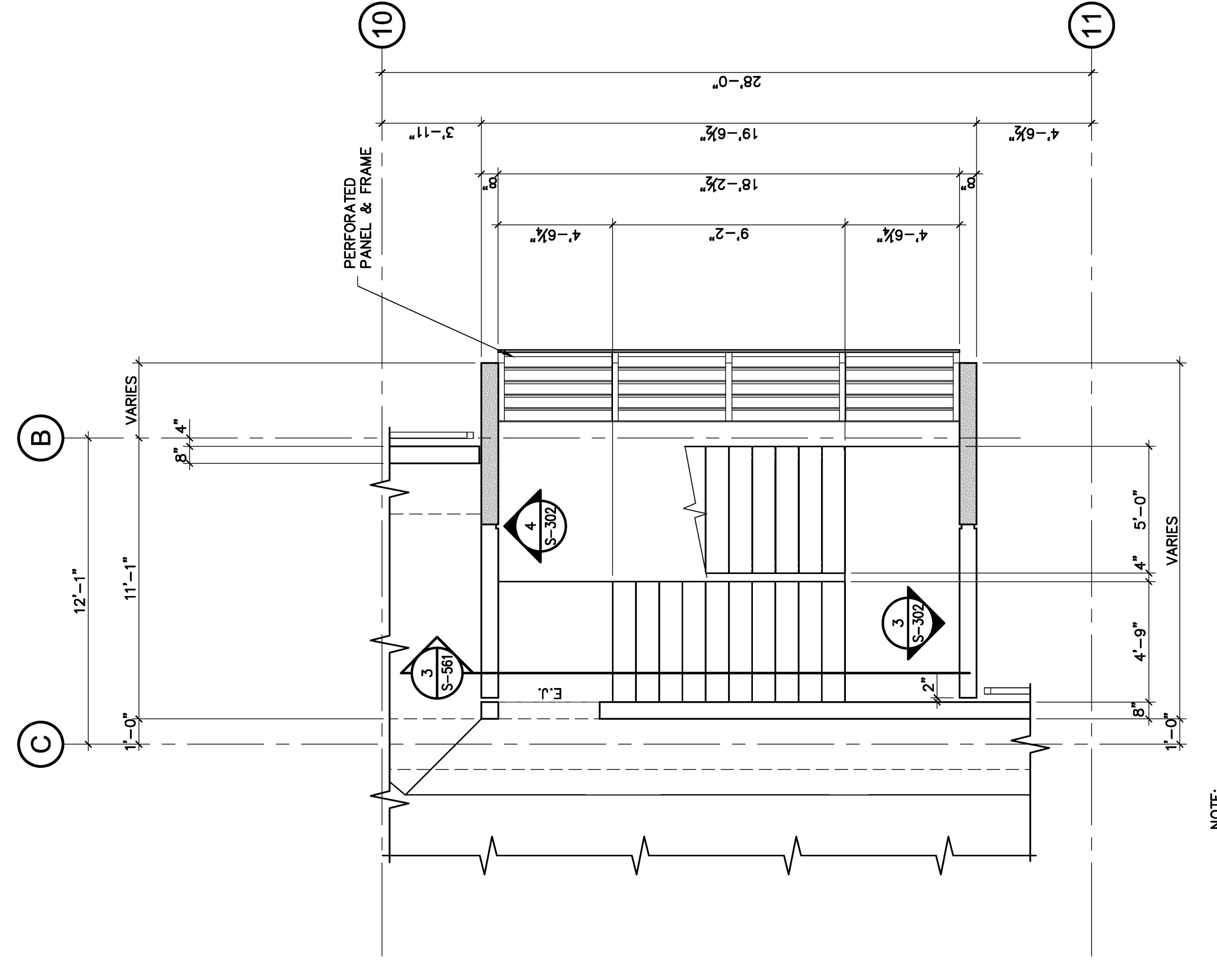
S-411



2 STAIR #2 ENLARGED LEVEL ONE PLAN
 1/4"=1'-0"



1 STAIR #2 ENLARGED FOUNDATION PLAN
 1/4"=1'-0"



3 STAIR #2 ENLARGED LEVEL TWO PLAN
 1/4"=1'-0"

NOTE: 3-PART INDUSTRIAL COATING FOR STEEL FRAME. REFER TO GENERAL NOTES FOR ADD'L INFO.



Ruler

Line Path Polygon Circle 3D path 3D polygon

Measure the distance or area of a geometric shape on the ground

Perimeter: 889.46 Feet

Area: 33,054.74 Square Feet

Mouse Navigation

Save Clear