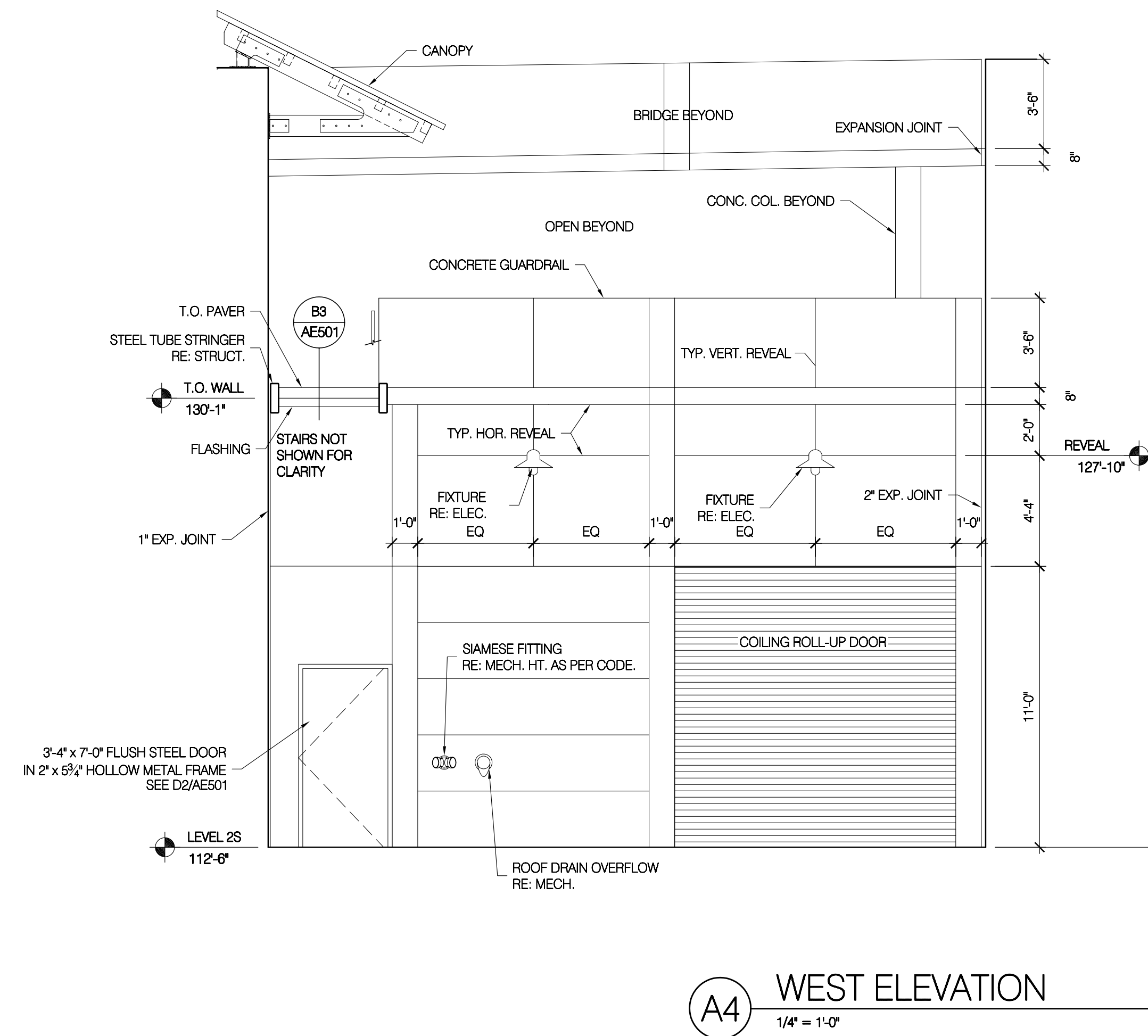
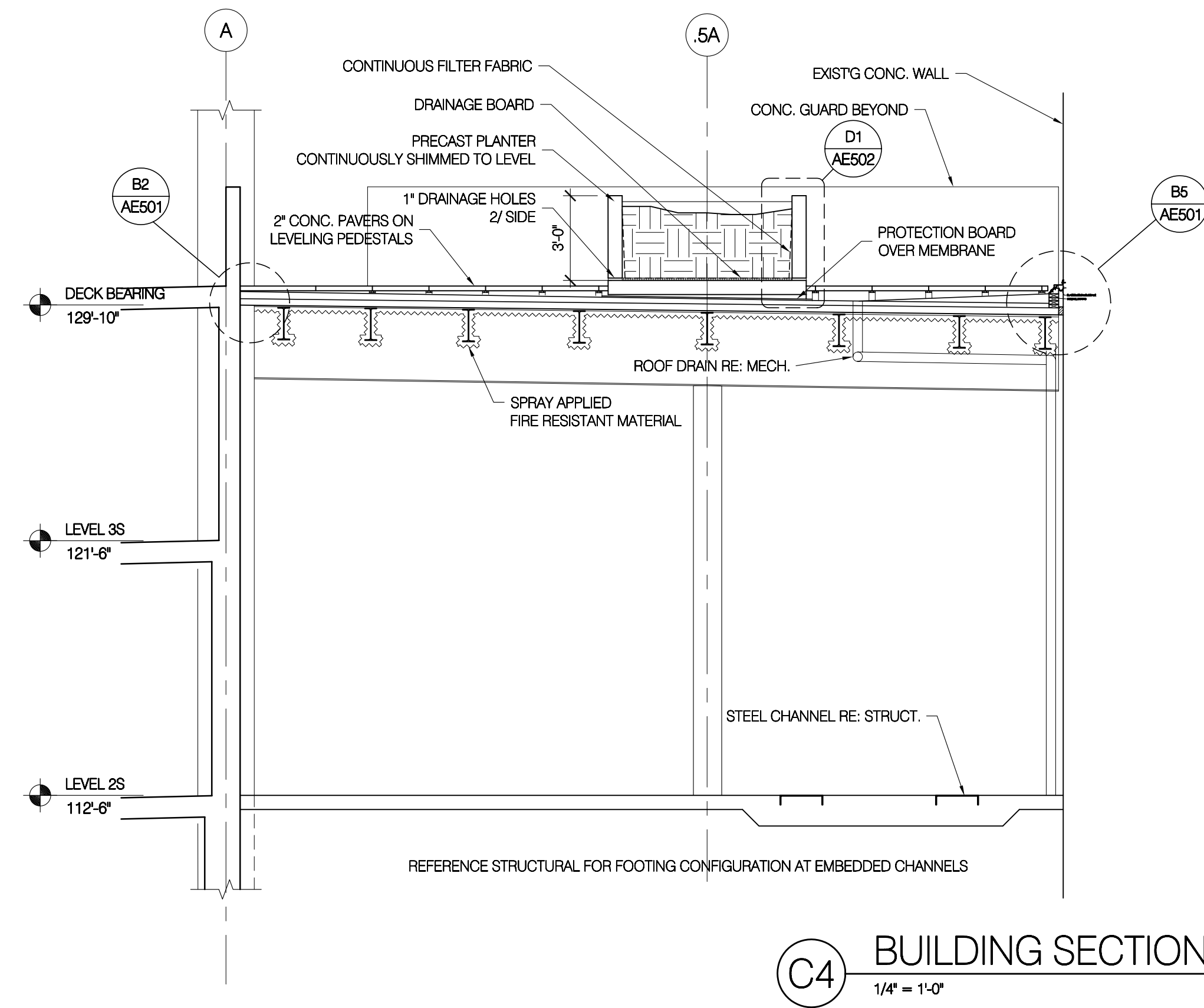
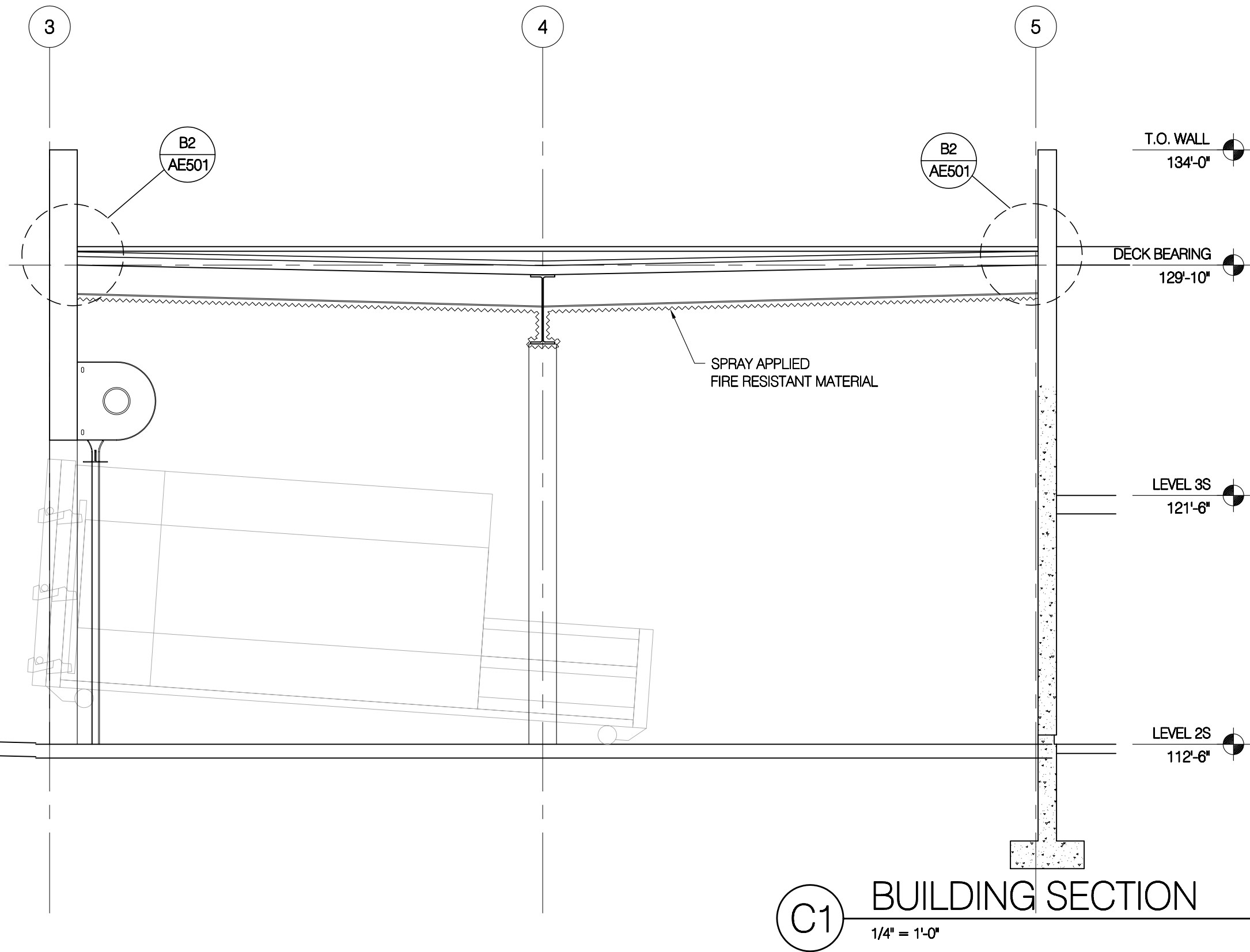


ADDENDUM 1
CHINA BRIDGE
PART 5



DATE	STATUS
3.23.2005	CD
8.02.2005	permit set

PROJECT NUMBER	4100
CAO DWG FILE	ae202.dwg
DRAWN BY	et
CHECKED BY	

SCALE	1/4" = 1'-0"
-------	--------------

COMPACTOR
ENCLOSURE
ELEVATION
& SECTIONS

AE202

REFERENCE NOTES

1. CONCRETE GRADE BEAM AT TOP OF TIE-BACK WALL RE: STRUCT.
2. TIEBACK WALL ENGINEERED BY SHORING CONTRACTOR



Bogue Building
730 Pacific Avenue
Salt Lake City
Utah 84104
801.521.6186 tel
801.539.1916 fax
www.ffkr.com

China Bridge Parking Expansion
Park City UT
Construction Documents

SCALE

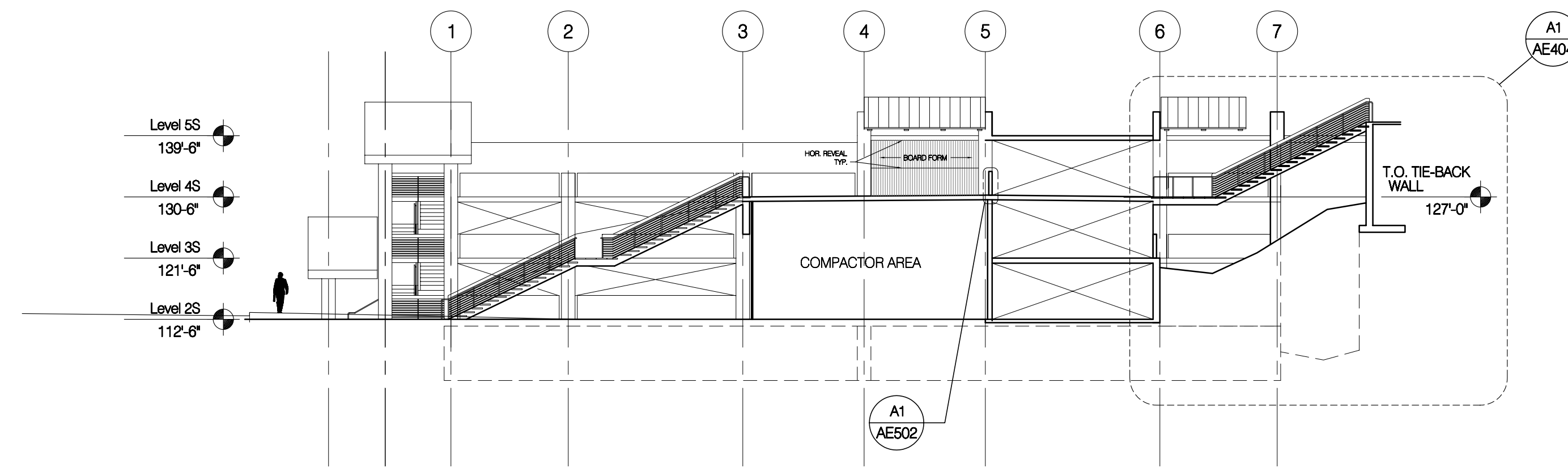
DATE	STATUS
3.23.2005	CD
8.02.2005	permit set

PROJECT NUMBER	4100
CAO DWG FILE	ae301.dwg
DRAWN BY	et
CHECKED BY	

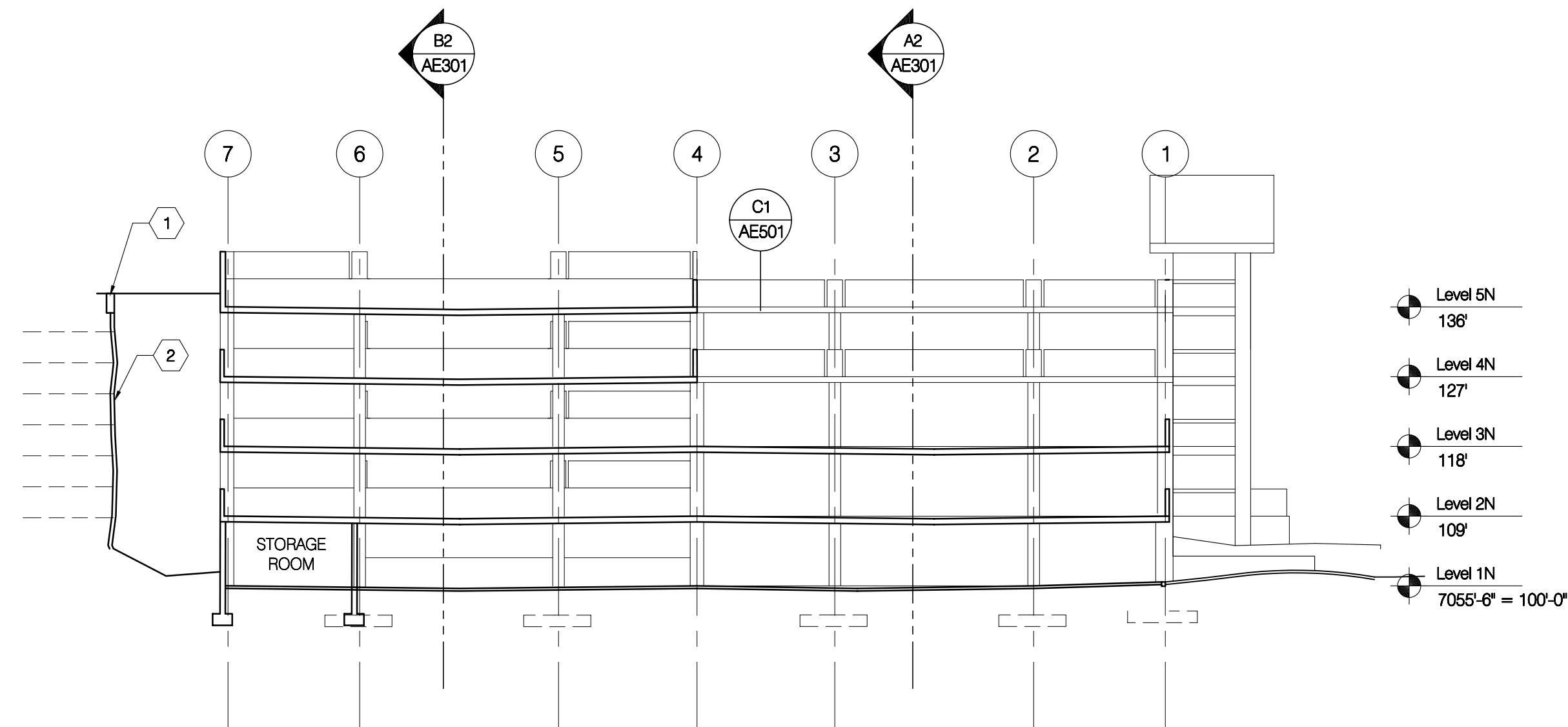
SCALE 1/16" = 1'-0"

PARKING
STRUCTURE
BUILDING
SECTIONS

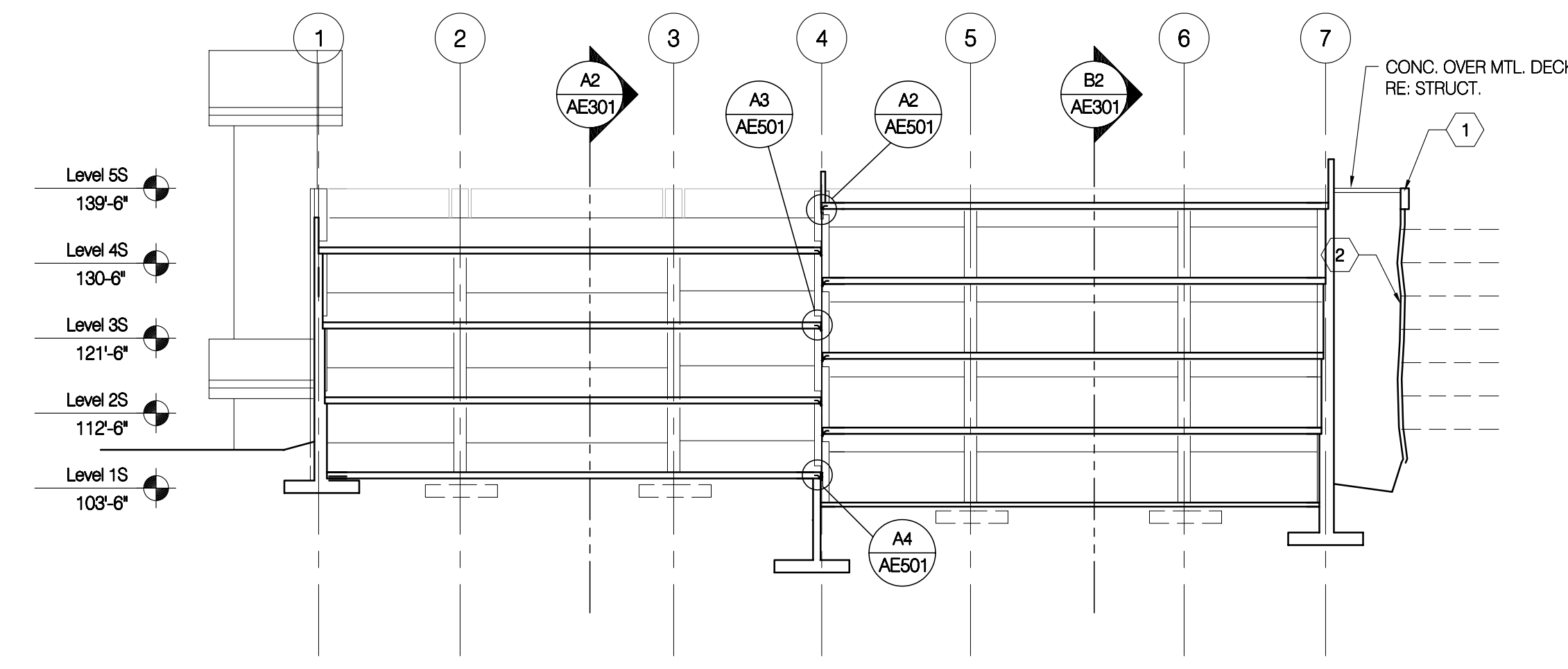
AE301



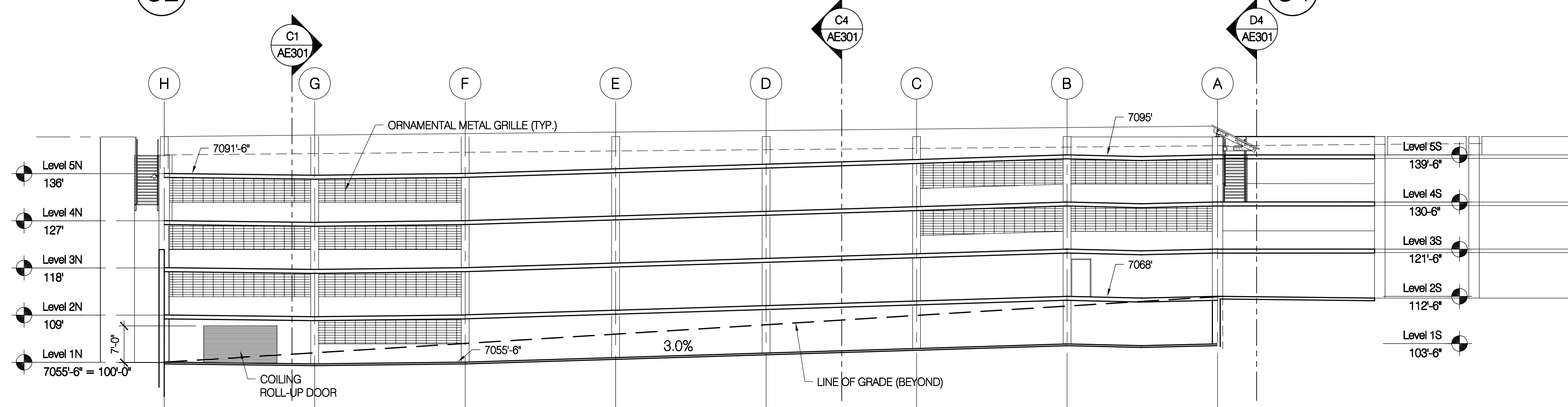
D4 TRANSVERSE SECTION



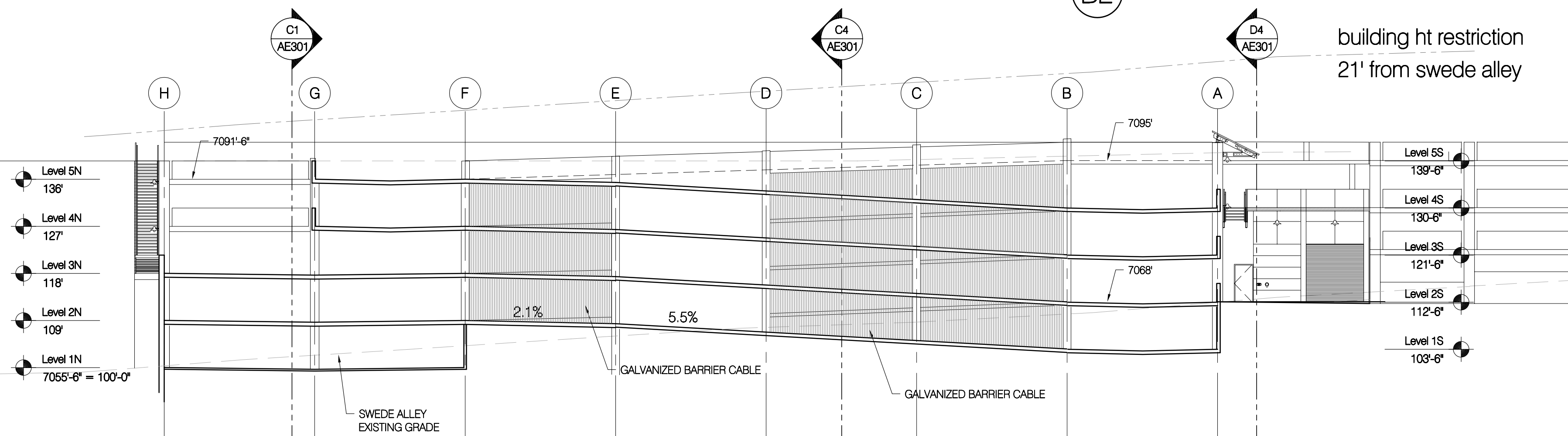
C2 TRANSVERSE SECTION



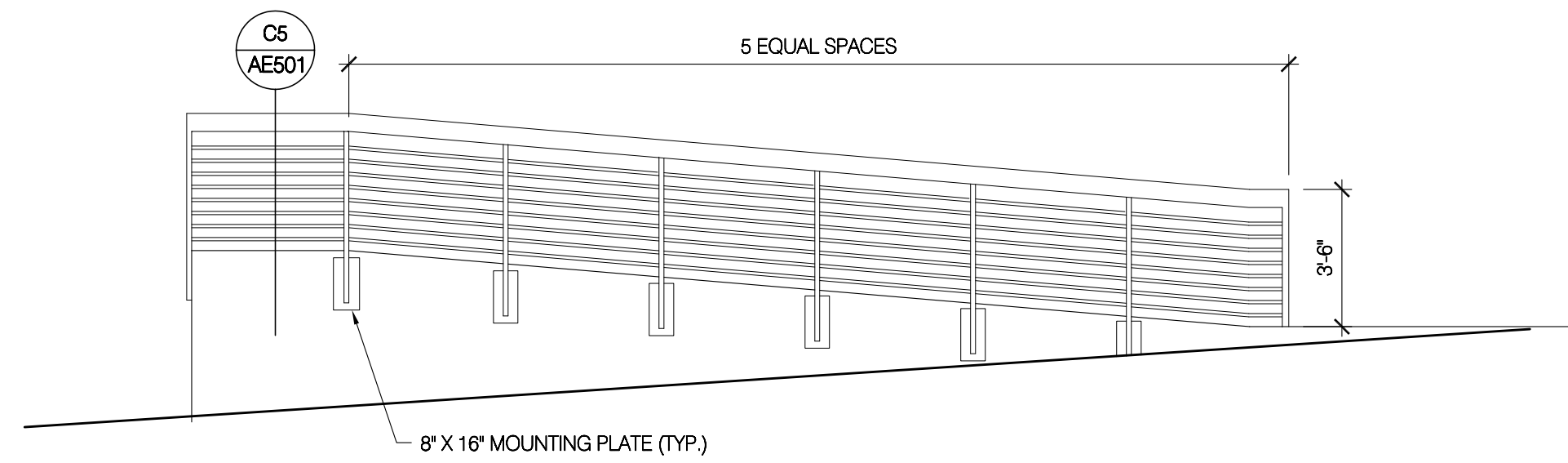
C4 TRANSVERSE SECTION



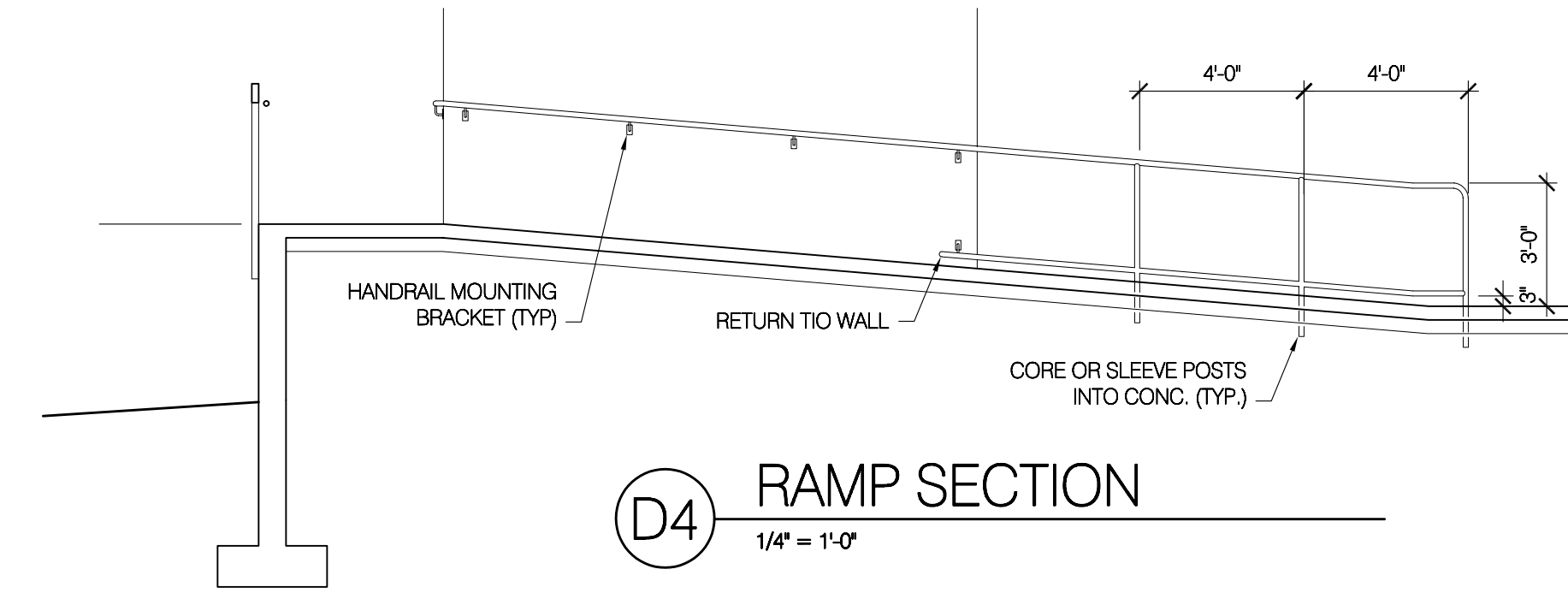
B2 LONGITUDINAL SECTION



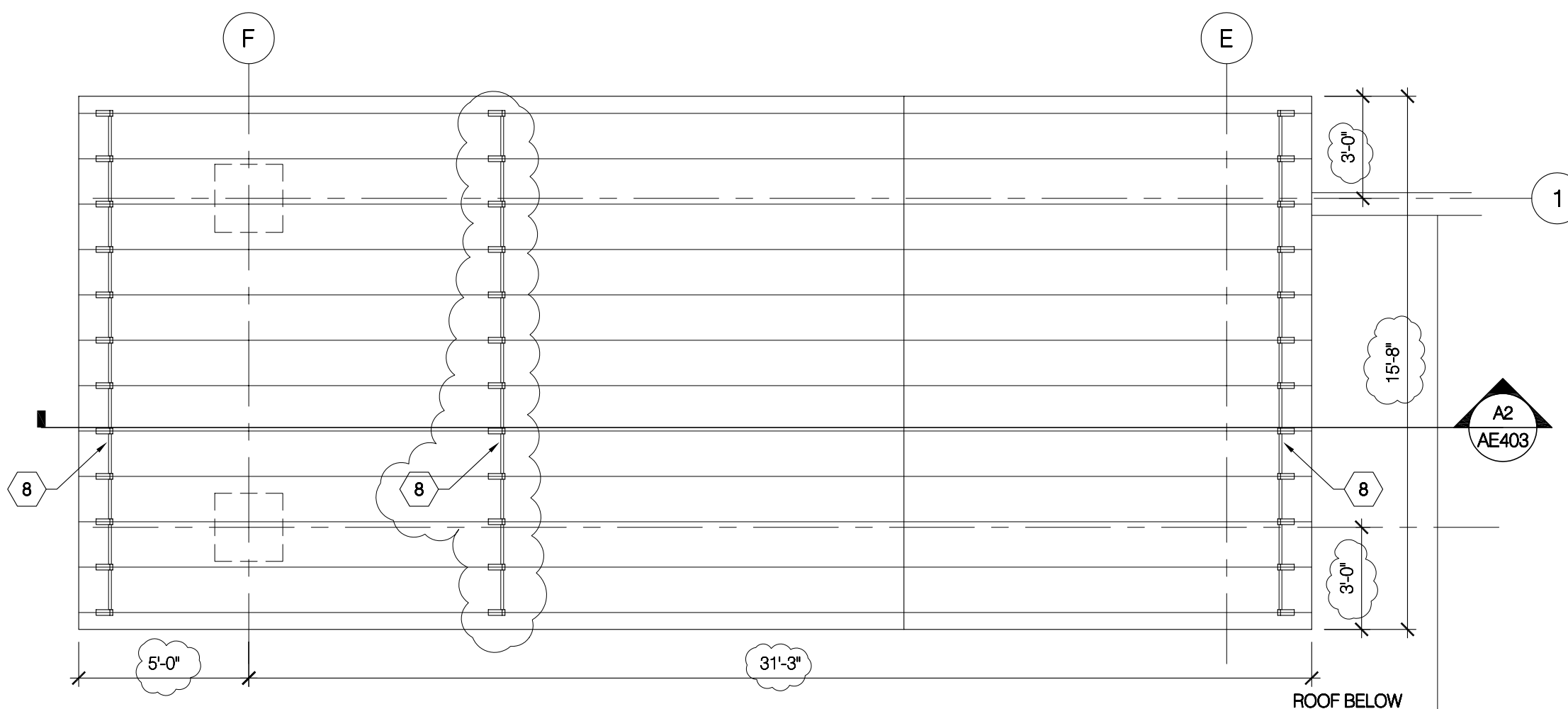
A2 LONGITUDINAL SECTION



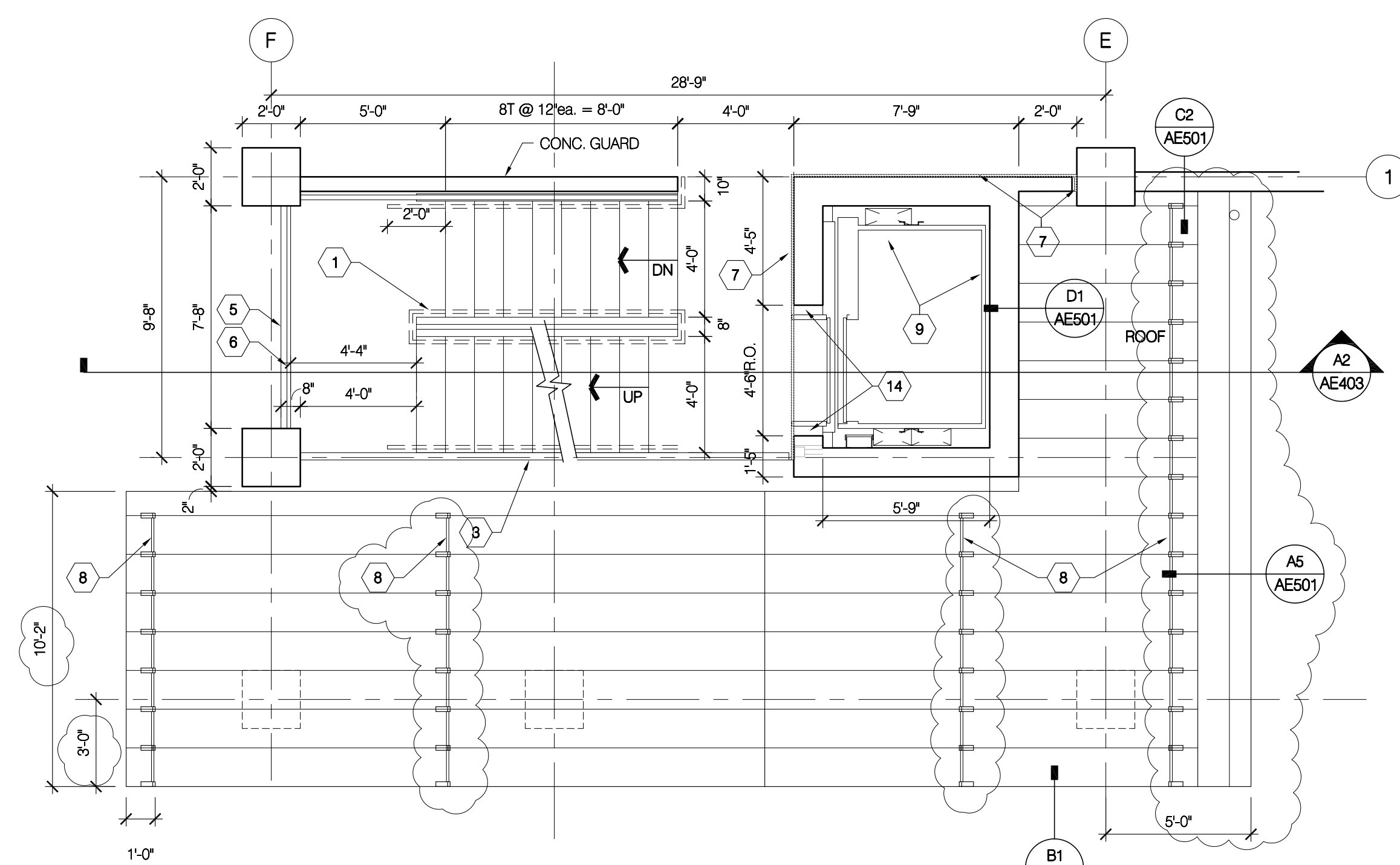
D2 RAMP SECTION
1/4" = 1'-0"



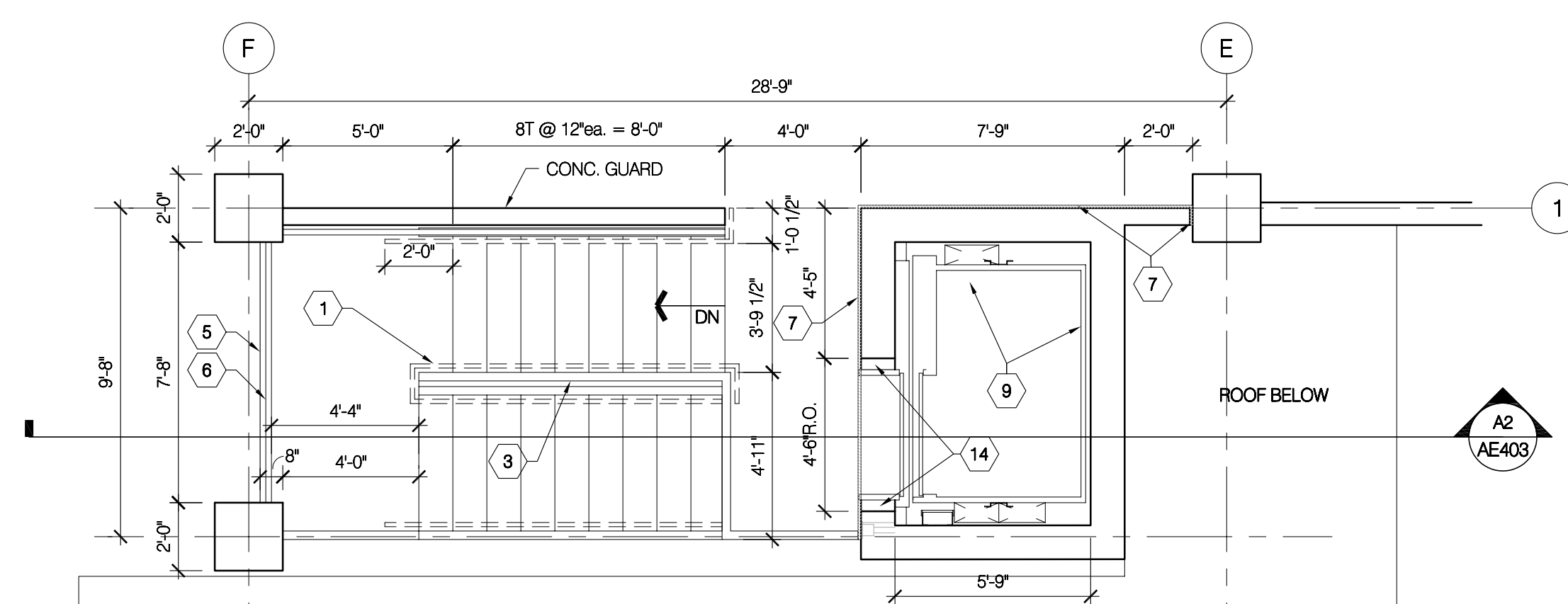
D4 RAMP SECTION
1/4" = 1'-0"



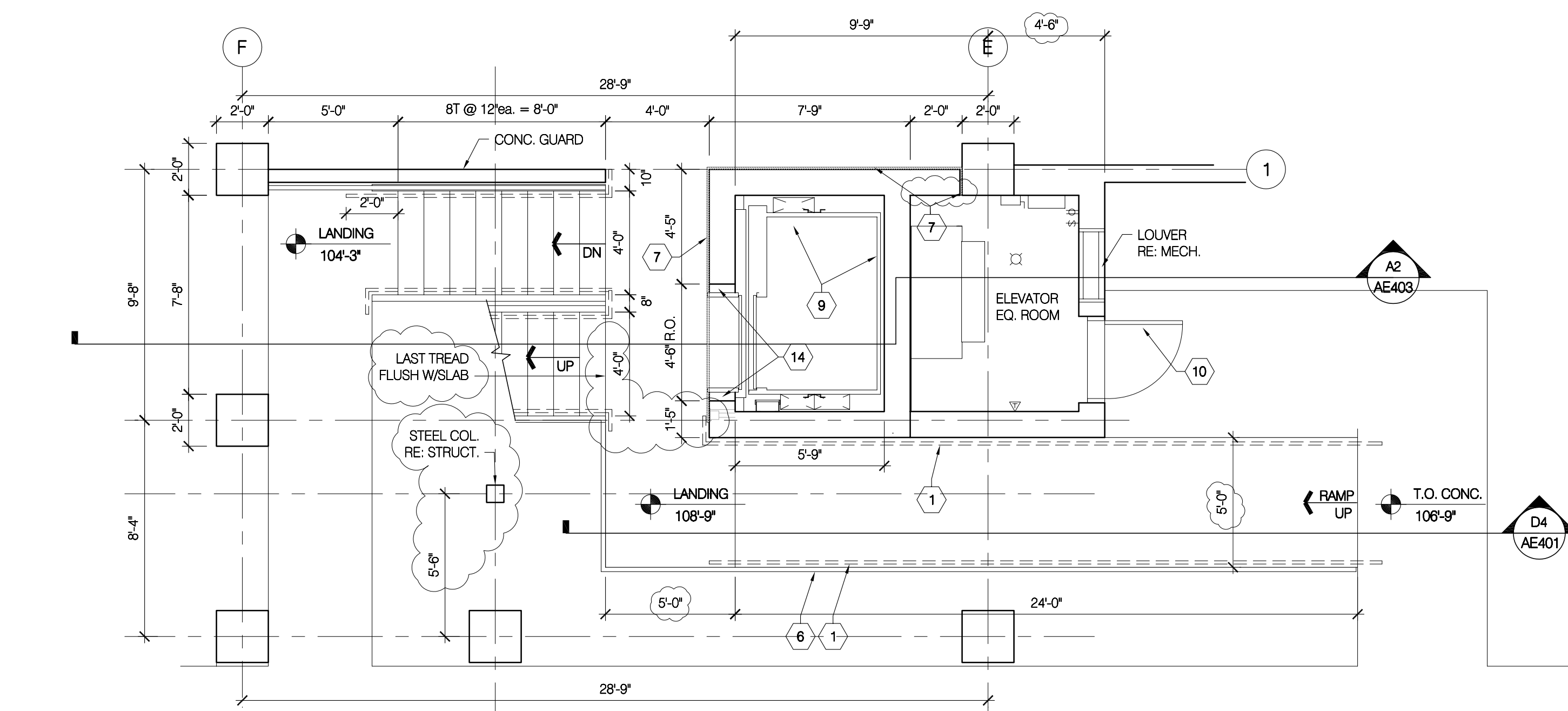
C1 STAIR A and ELEVATOR ROOF PLAN
1/4" = 1'-0"



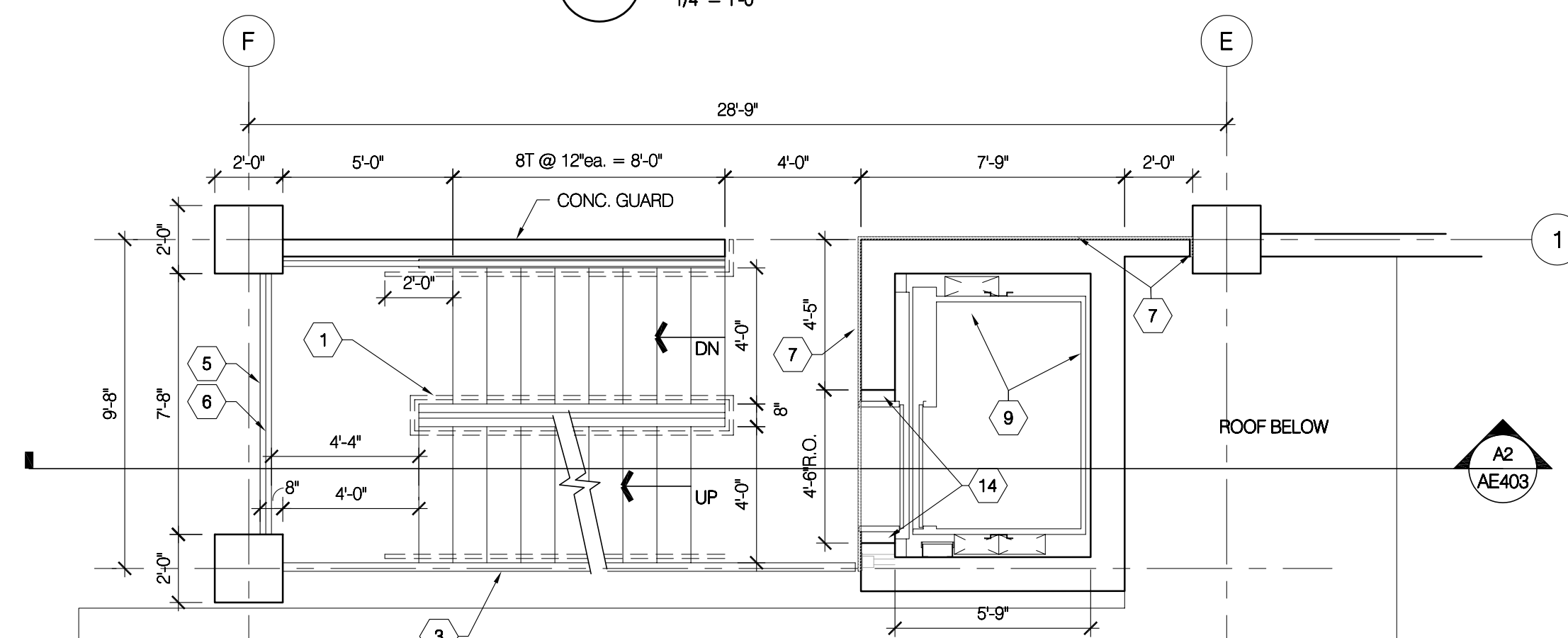
B3 STAIR A and ELEVATOR Level 3N PLAN
1/4" = 1'-0"



B1 STAIR A and ELEVATOR Level 5N PLAN
1/4" = 1'-0"



A3 STAIR A and ELEVATOR Level 2N PLAN
1/4" = 1'-0"



A1 STAIR A and ELEVATOR Level 4N PLAN
1/4" = 1'-0"

REFERENCE NOTES

1. 1 1/2" O.D. STEEL PIPE HANDRAIL.
2. PRE-CAST CONC STAIR TREAD (TYP.)
3. STEEL CHANNEL STAIR STRINGER RE: STRUCT.
4. CONC. RETAINING WALL RE: STRUCTURAL.
5. EDGE OF SLAB
6. GUARDRAIL
7. 2" EXPANSION JOINT (COMPRESSION TYPE)
8. 3 PIPE SNOW GUARD
9. HYDRAULIC PASSENGER ELEVATOR
10. 3'-0" X 7'-0" X 1 1/2" FLUSH HOLLOW METAL DOOR IN 2" X 6 1/2" HOLLOW METAL FRAME. SEE D2/AE501
11. EXPANDED METAL CHANNEL STAIR TREAD.
12. STEEL TUBE STAIR STRINGER RE: STRUCT.
13. STEEL ANGLE CLOSURE RE: STRUCT.
14. GROUT SOLID. RE: DTL. C1/AE501
15. 4" STEEL PIPE DOWNSPOUT (GALV) RUN HEAT TRACE FOR LENGTH OF GUTTER AND IN DOWNSPOUT TO FROST LEVEL. COORDINATE APPROPRIATE LOCATION FOR POWER SOURCE WITH ARCHITECT BEFORE INSTALLATION.



Bogue Building
730 Pacific Avenue
Salt Lake City
Utah 84104
801.521.6186 tel
801.539.1916 fax
www.ffkr.com

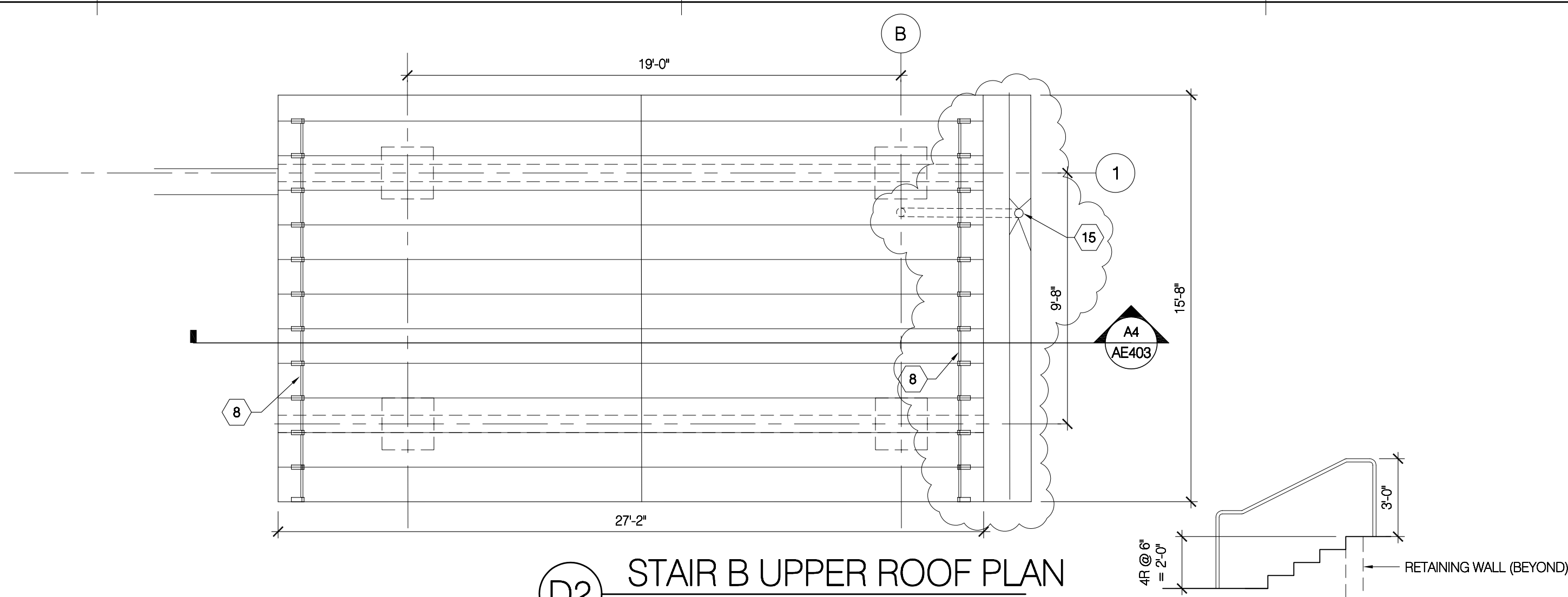
China Bridge Parking Expansion
Park City UT
Construction Documents

GENERAL NOTES

- A. NOT USED
- B. NOT USED

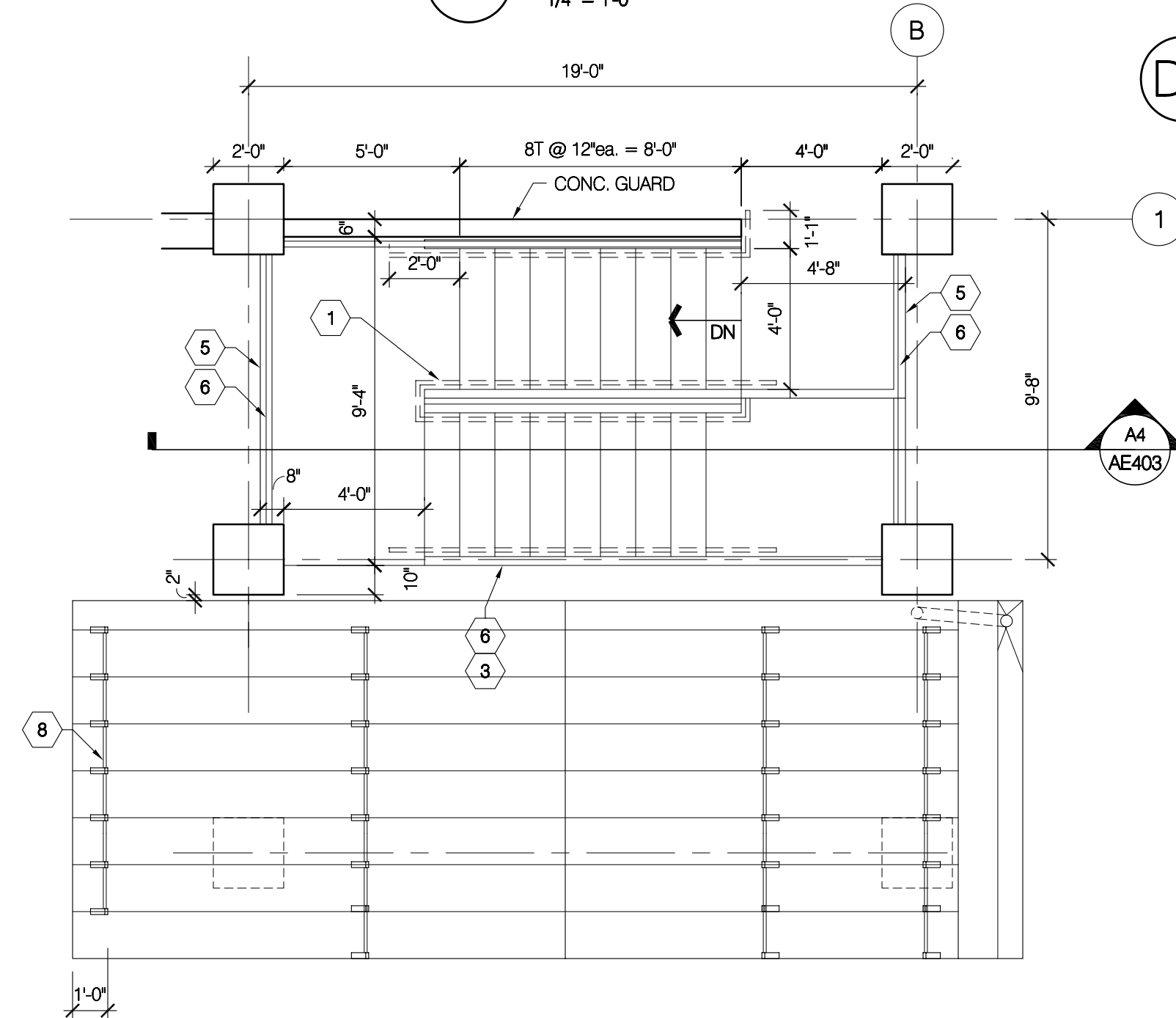
KEY PLAN

DATE	STATUS
3.23.2005	CD
8.02.2005	permit set
PROJECT NUMBER	4100
CAO DWG FILE	88401.dwg
DRAWN BY	et
CHECKED BY	
SCALE	1/4" = 1'-0"
ENLARGED STAIR PLANS	
AE401	

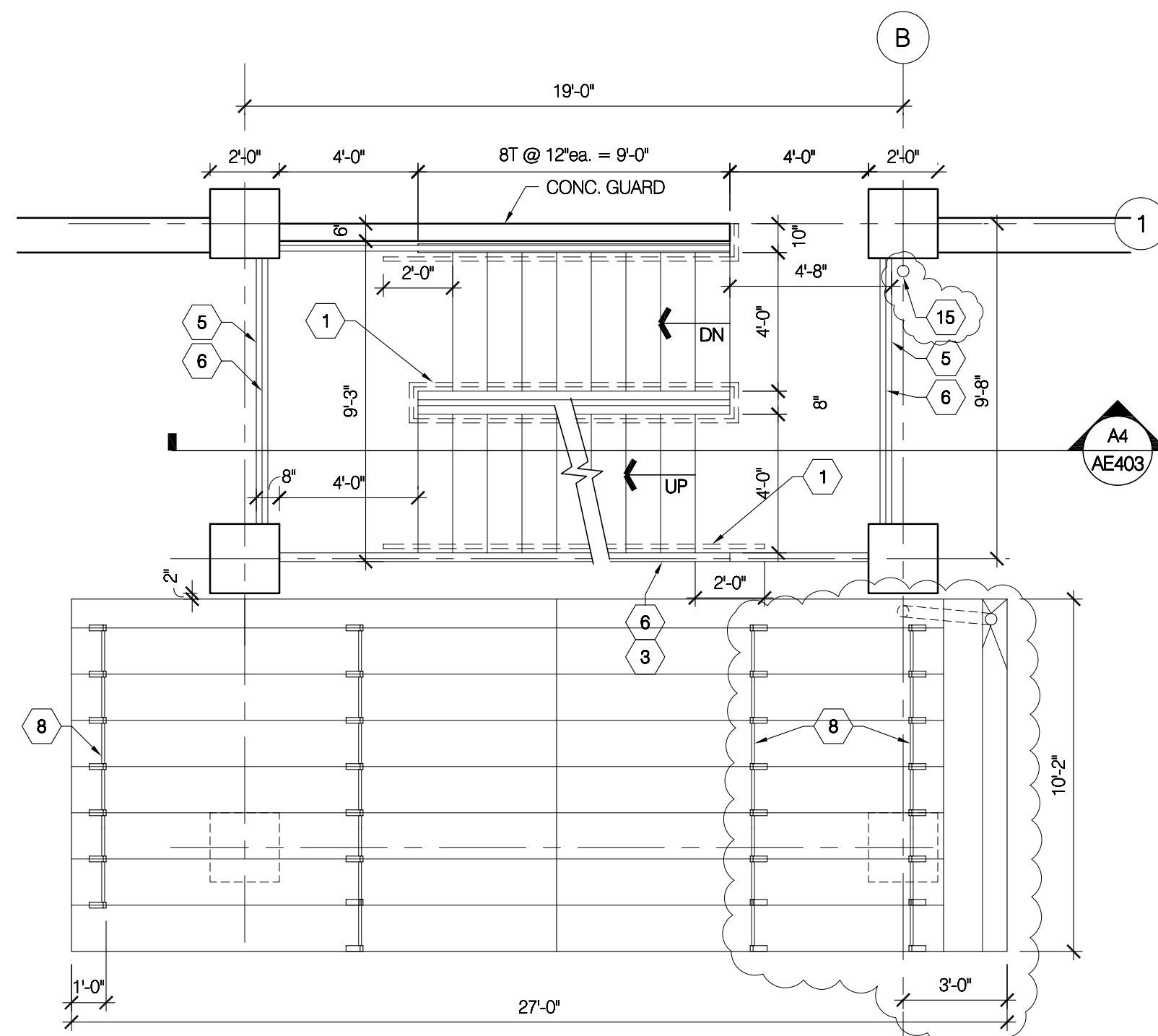


D2 STAIR B UPPER ROOF PLAN
1/4" = 1'-0"

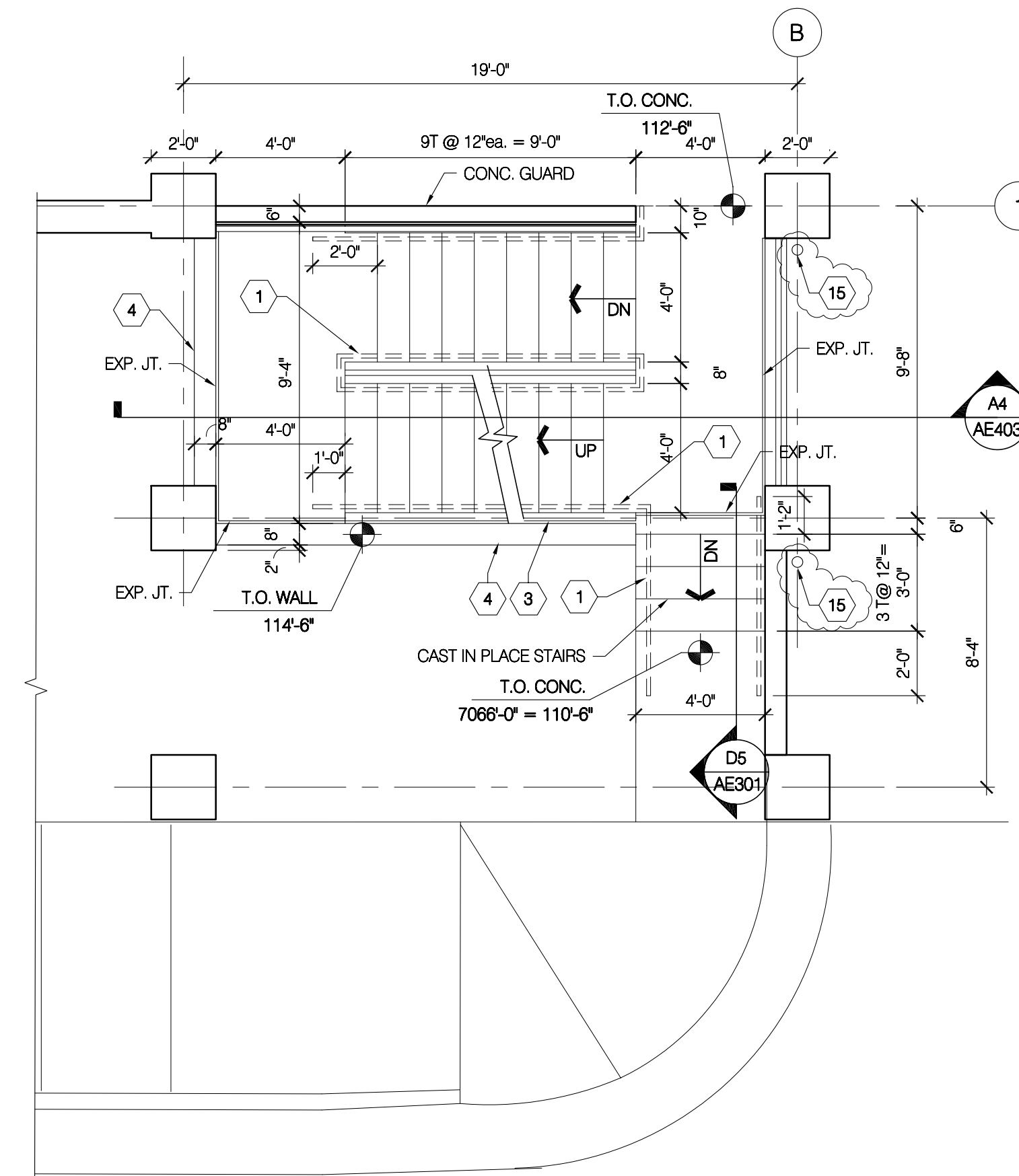
D3 STAIR B SECTION
1/4" = 1'-0"



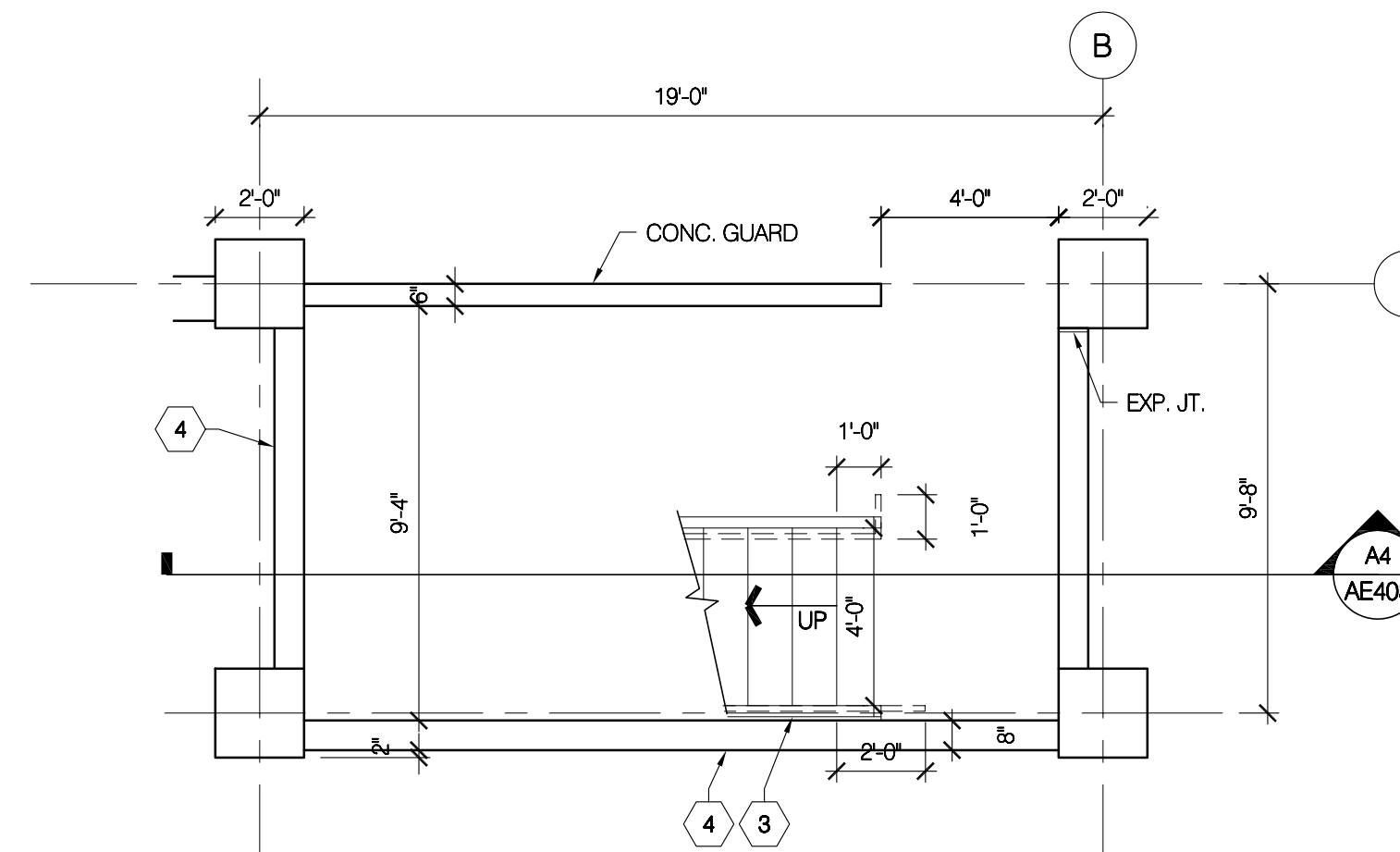
B2 STAIR B Level 4S PLAN
1/4" = 1'-0"



A2 STAIR B Level 3S PLAN
1/4" = 1'-0"



B4 STAIR B Level 2S PLAN
1/4" = 1'-0"



A4 STAIR B Level 1S PLAN
1/4" = 1'-0"

REFERENCE NOTES

1. 1 1/2" O.D. STEEL PIPE HANDRAIL
2. PRE-CAST CONC. STAIR TREAD (TYP.)
3. STEEL CHANNEL STAIR STRINGER RE: STRUCT.
4. CONC. RETAINING WALL RE: STRUCTURAL
5. EDGE OF SLAB
6. GUARDRAIL
7. 2" EXPANSION JOINT (COMPRESSION TYPE)
8. 3 PIPE SNOW GUARD
9. HYDRAULIC PASSENGER ELEVATOR
10. 3'-0" X 7'-0" X 1 1/2" FLUSH HOLLOW METAL DOOR IN 2" X 5 1/2" HOLLOW METAL FRAME. SEE D2/AE501
11. EXPANDED METAL CHANNEL STAIR TREAD.
12. STEEL TUBE STAIR STRINGER RE: STRUCT.
13. STEEL ANGLE CLOSURE RE: STRUCT.
14. GROUT SOLID. RE: DTL. C1/AE501
15. 4" STEEL PIPE DOWNSPOUT (GALV) RUN HEAT TRACE FOR LENGTH OF GUTTER AND IN DOWNSPOUT TO FROST LEVEL. COORDINATE APPROPRIATE LOCATION FOR POWER SOURCE WITH ARCHITECT BEFORE INSTALLATION.



Bogue Building
730 Pacific Avenue
Salt Lake City
Utah 84104
801.521.6186 tel
801.539.1916 fax
www.ffkr.com

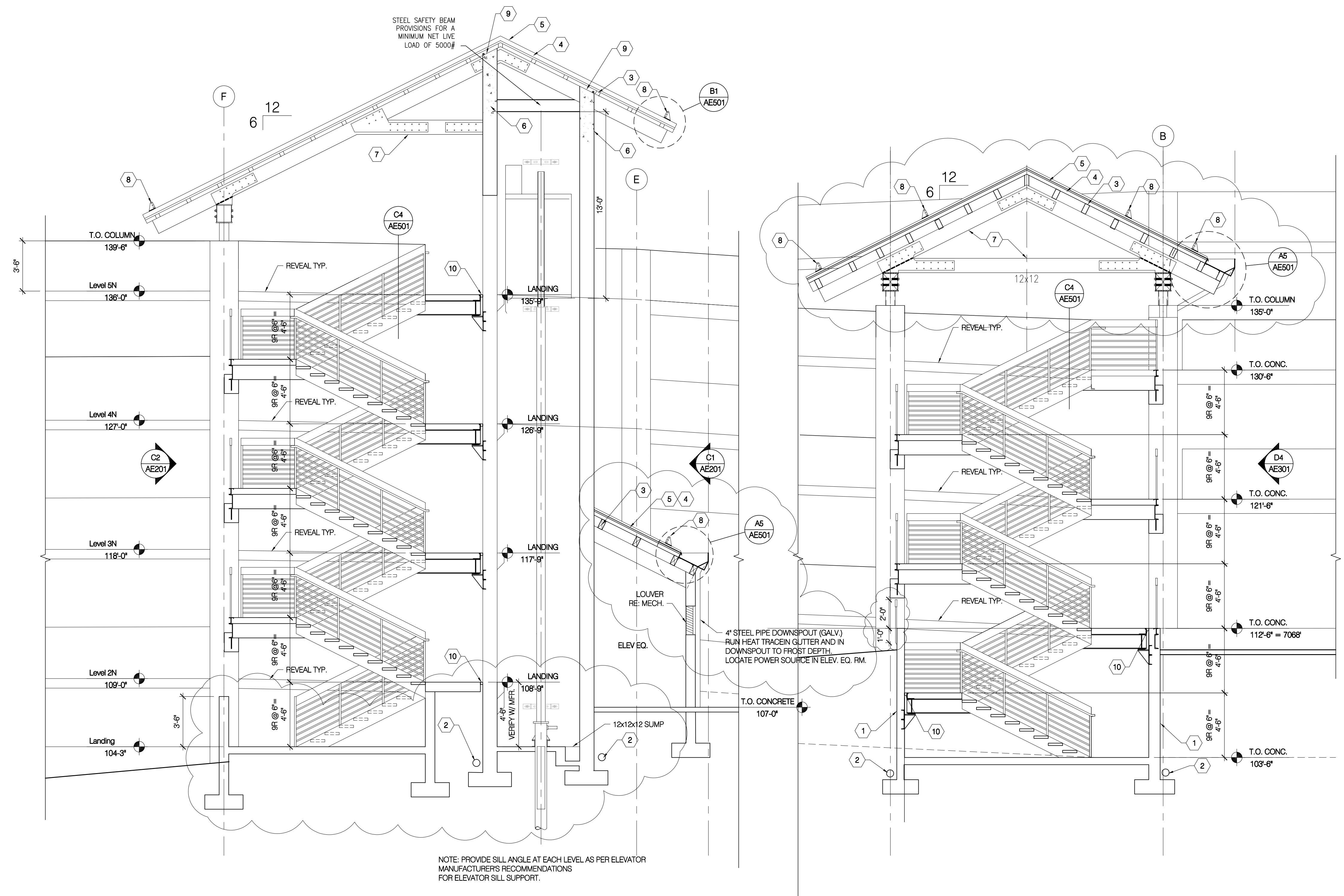
China Bridge Parking Expansion
Park City UT
Construction Documents

GENERAL NOTES

- A. NOT USED
- B. NOT USED

KEY PLAN

DATE	STATUS
3.23.2005	CD
8.02.2005	permit set
PROJECT NUMBER 4100	
CAD DWG FILE ab402.dwg	
DRAWN BY et	
CHECKED BY	
SCALE 1/4" = 1'-0"	
ENLARGED STAIR PLANS	
AE402	



A2 STAIR A AND ELEVATOR SECTION
1/4" = 1'-0"

A4 STAIR B SECTION
1/4" = 1'-0"

REFERENCE NOTES

1. WATERPROOF MEMBRANE AND DRAINAGE BOARD, RE: C4/AE502
2. FOUNDATION DRAIN, RE: A4/AE502
3. PURLIN, SEE STRUCT.
4. PLYWOOD DECK OVER 3" T&G WOOD DECK, SEE STRUCT.
5. STANDING SEAM METAL ROOF.
6. 12" CONCRETE WALL.
7. WOOD TRUSS, SEE STRUCT.
8. 3 PIPE SNOW GUARD.
9. CAST CONCRETE TO A STRAIGHT LINE 1" FROM UNDERSIDE OF DECK AND SIDES OF WOOD BEAMS. PROVIDE BACKER ROD AND SEALANT IN 1" JOINT.
10. EXPANSION JOINT TYPICAL.



Bogue Building
730 Pacific Avenue
Salt Lake City
Utah 84104
801.521.6186 tel
801.539.1916 fax
www.ffkr.com

China Bridge Parking Expansion
Park City UT
Construction Documents

GENERAL NOTES

- A. NOT USED
- B. NOT USED

KEY PLAN

DATE	STATUS
3.23.2005	CD
8.02.2005	permit set
PROJECT NUMBER	4100
CAD DWG FILE	ae403.dwg
DRAWN BY	et
CHECKED BY	
SCALE	1/4" = 1'-0"
STAIR SECTIONS	
AE403	

1 2 3 4 5

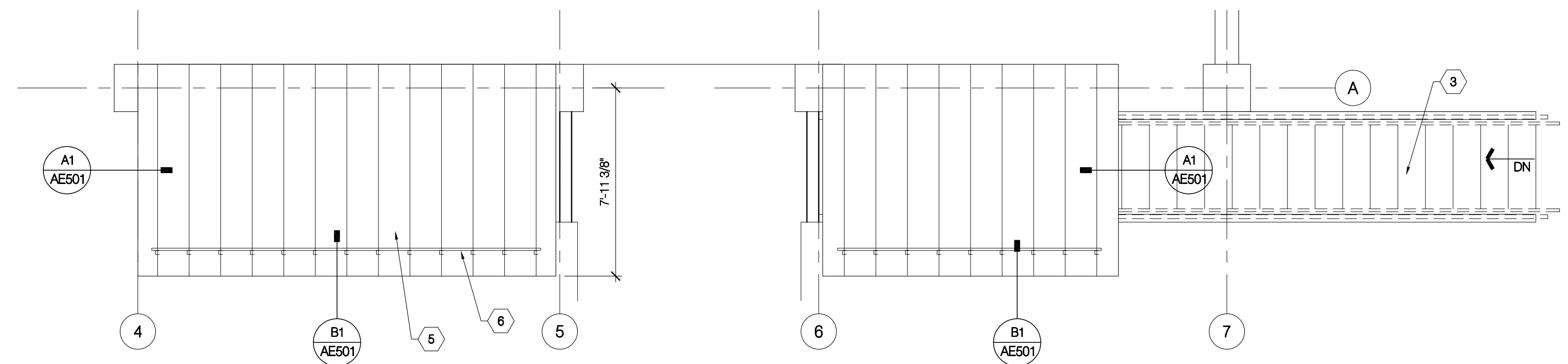
REFERENCE NOTES

1. WATERPROOFING MEMBRANE AND DRAINAGE BOARD.
2. FOUNDATION DRAINAGE SYSTEM.
3. EXPANDED METAL CHANNEL STAIR TREAD. SEE DET.
4. 1 1/2" O.D. PIPE RAIL.
5. STANDING SEAM METAL ROOF.
6. SNOW GUARD.
7. STEEL TUBE STRINGER. SEE STRUCT.
8. 18" OR 24" EXPANDED METAL CHANNEL AT LANDING.

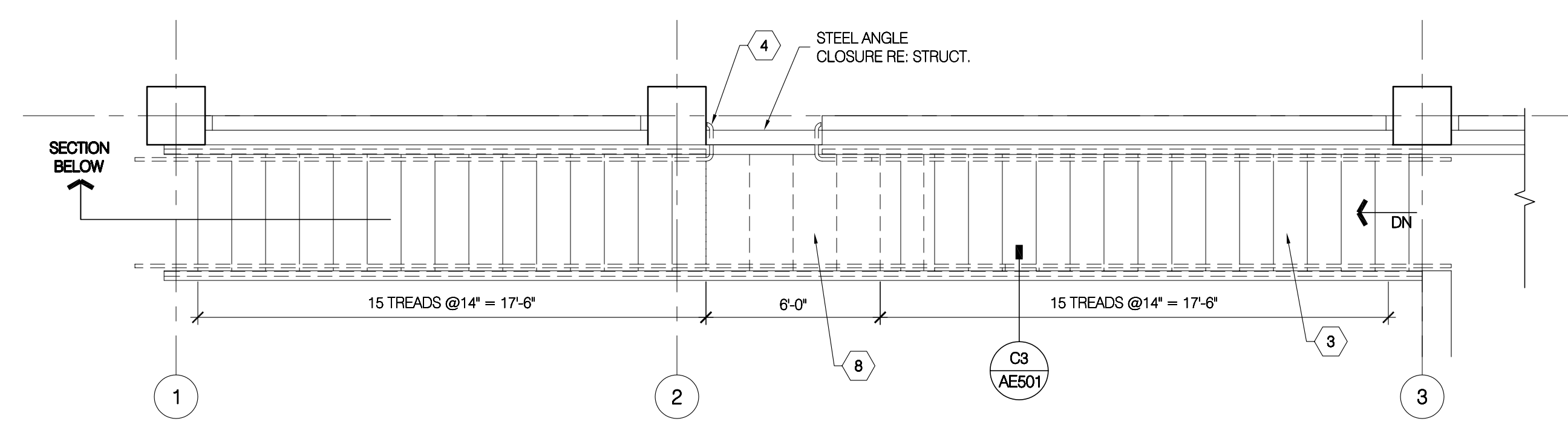


Bogue Building
730 Pacific Avenue
Salt Lake City
Utah 84104
801.521.6186 tel
801.539.1916 fax
www.ffkr.com

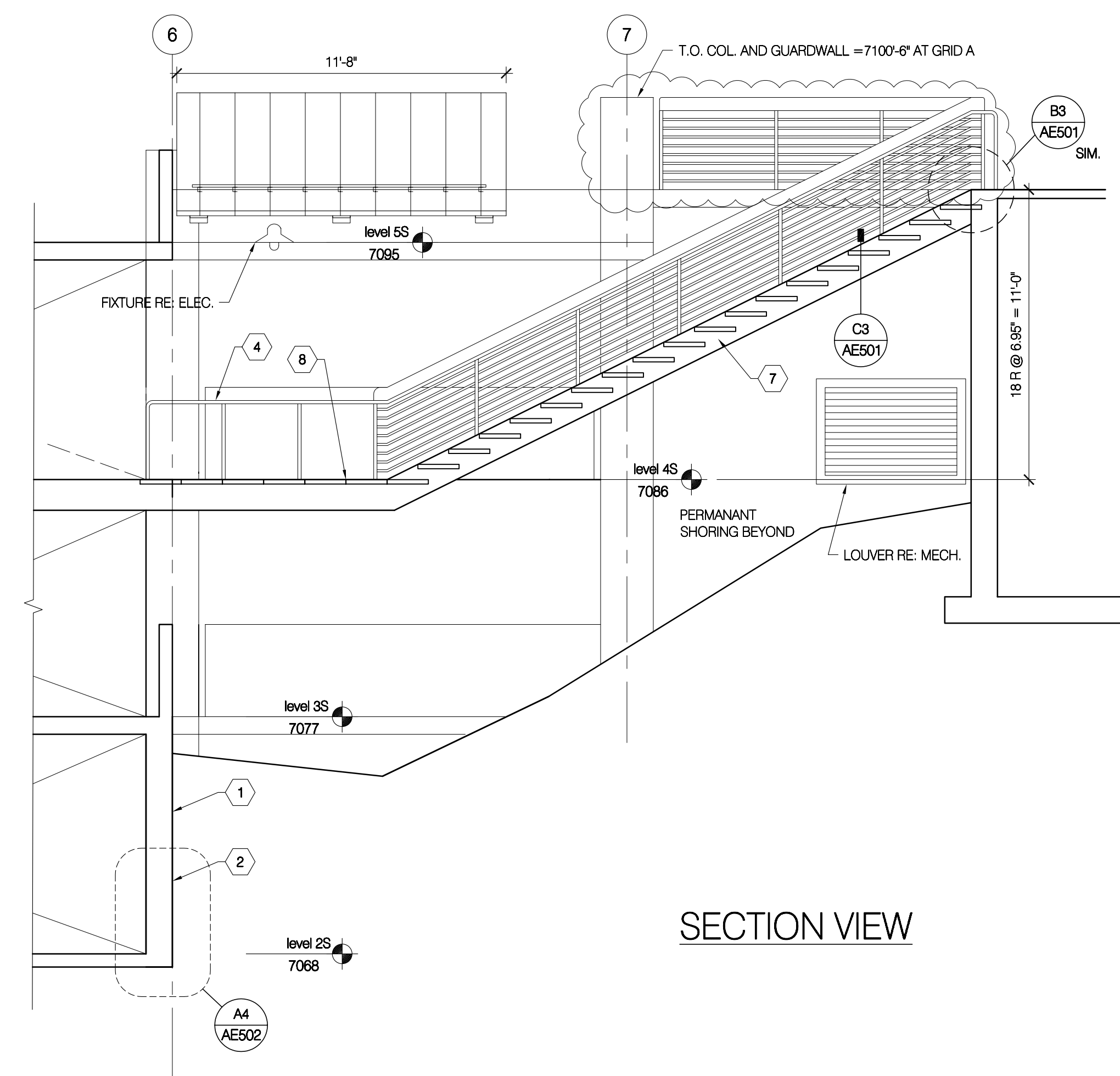
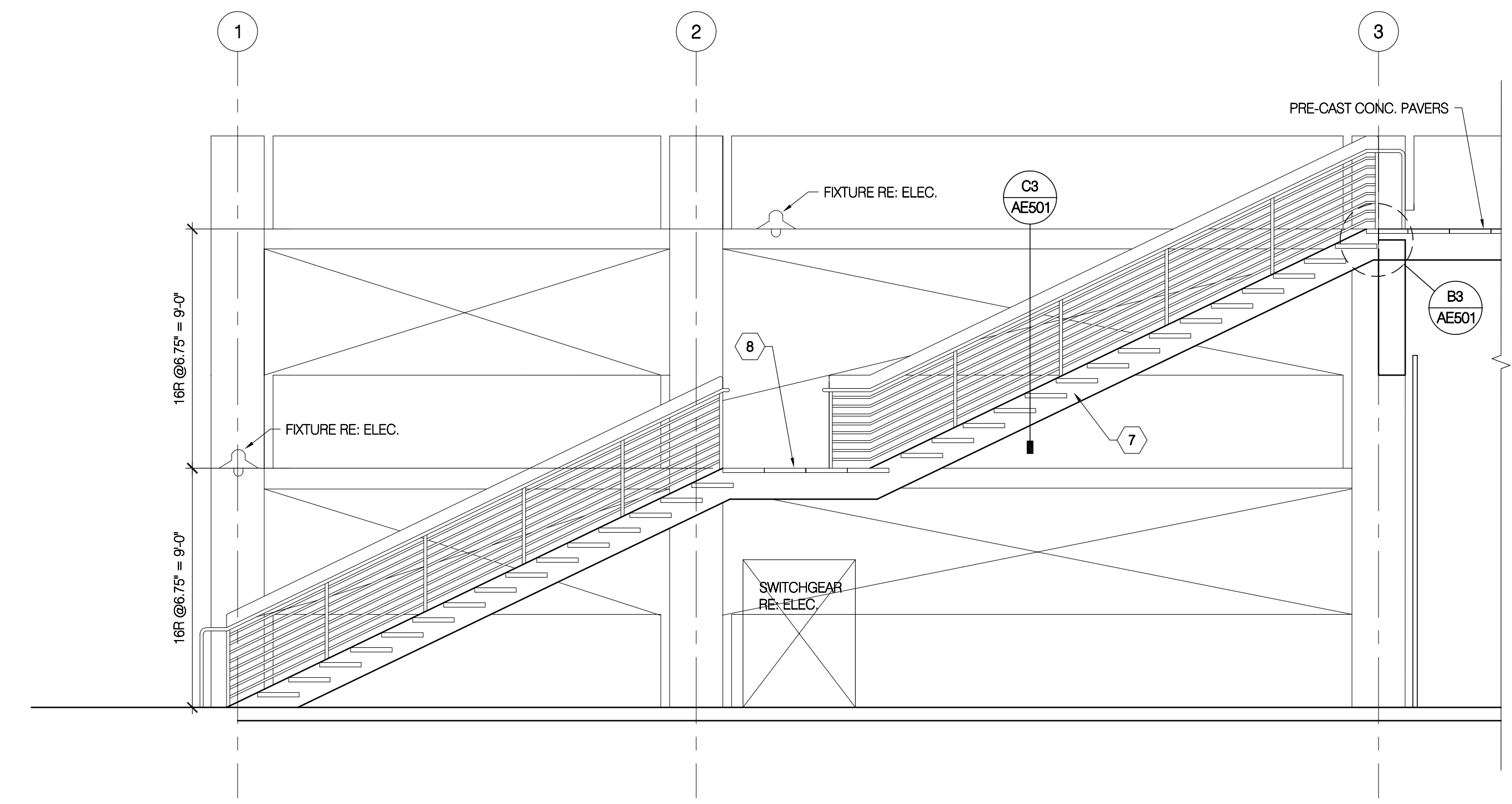
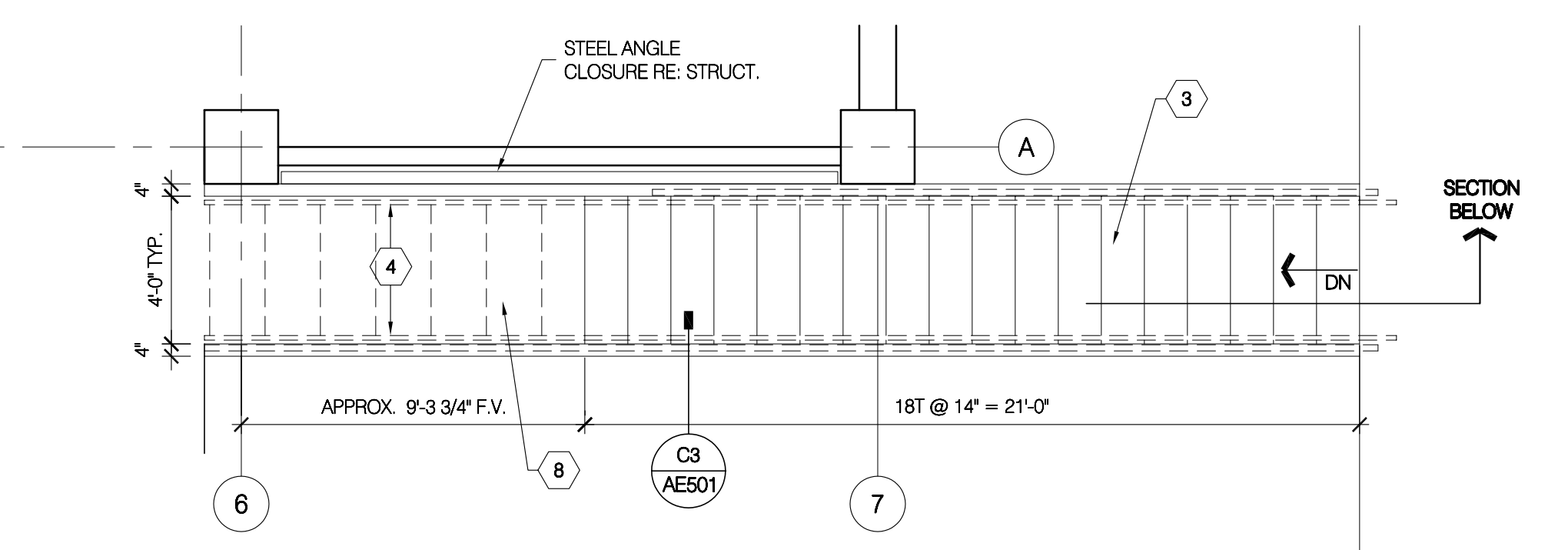
China Bridge Parking Expansion
Park City UT
Construction Documents



D3 CANOPY PLANS
1/4" = 1'-0"



PLAN VIEW



SECTION VIEW

A1 SOUTH STAIRS AND BRIDGES
1/4" = 1'-0"

GENERAL NOTES

- A. NOT USED
- B. NOT USED

KEY PLAN

DATE	STATUS
3.23.2005	CD
8.02.2005	permit set
PROJECT NUMBER	4100
CAO DWG FILE	88404.dwg
DRAWN BY	et
CHECKED BY	
SCALE	1/4" = 1'-0"
ENLARGED STAIR PLANS & SECTIONS	
AE404	

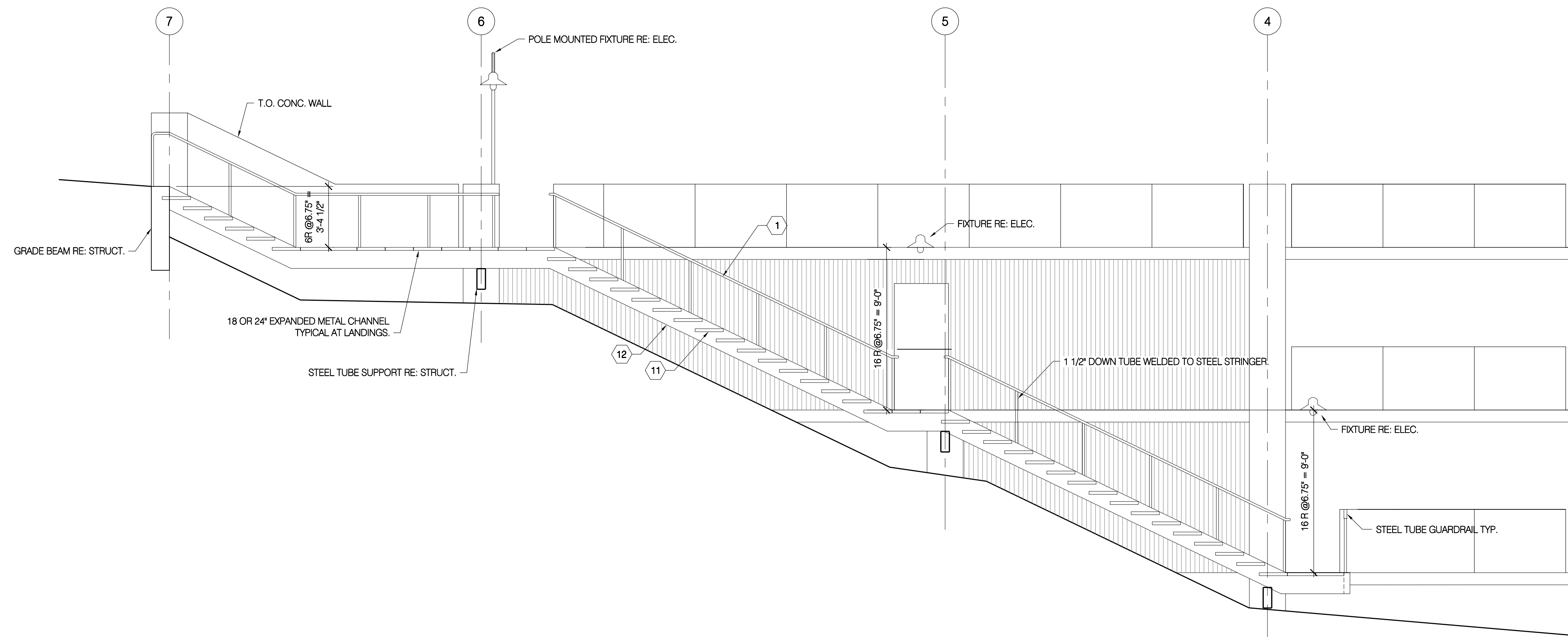
1 2 3 4 5

REFERENCE NOTES

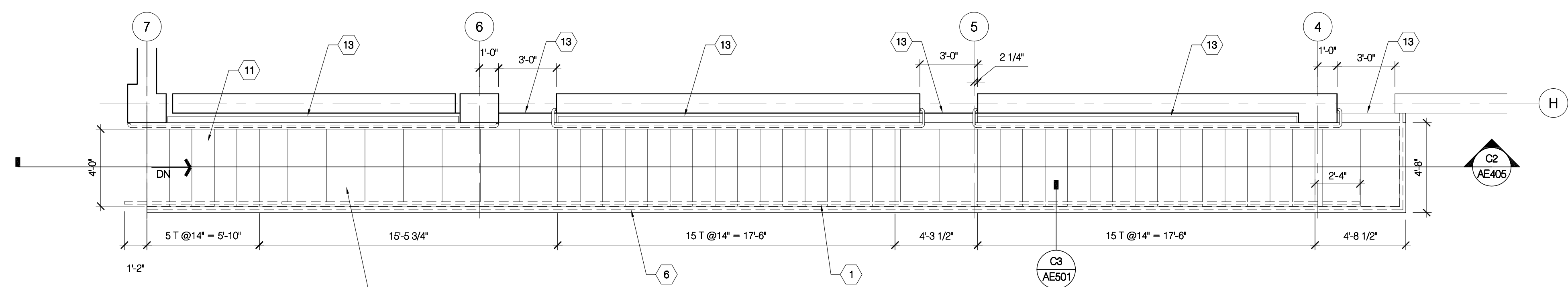
1. 1 1/2" O.D. STEEL PIPE HANDRAIL.
2. PRE-CAST CONC STAIR TREAD (TYP.)
3. STEEL CHANNEL STAIR STRINGER RE: STRUCT.
4. CONC. RETAINING WALL RE: STRUCTURAL.
5. EDGE OF SLAB
6. GUARDRAIL
7. 2" EXPANSION JOINT (COMPRESSION TYPE)
8. 3 PIPE SNOW GUARD
9. HYDRAULIC PASSENGER ELEVATOR
10. 3'-0" X 7'-0" X 1 1/2" FLUSH HOLLOW METAL DOOR IN 2" X 5 1/2" HOLLOW METAL FRAME. SEE D2/AE501
11. EXPANDED METAL CHANNEL STAIR TREAD.
12. STEEL TUBE STAIR STRINGER RE: STRUCT.
13. STEEL ANGLE CLOSURE RE: STRUCT.
14. GROUT SOLID. RE: DTL. C1/AE501
15. 4" STEEL PIPE DOWNSPOUT (GALV) RUN HEAT TRACE FOR LENGTH OF GUTTER AND IN DOWNSPOUT TO FROST LEVEL. COORDINATE APPROPRIATE LOCATION FOR POWER SOURCE WITH ARCHITECT BEFORE INSTALLATION.



Bogue Building
730 Pacific Avenue
Salt Lake City
Utah 84104
801.521.6186 tel
801.539.1916 fax
www.ffkr.com



C2 NORTH STAIR SECTION
1/4" = 1'-0"



A2 NORTH STAIR PLAN
1/4" = 1'-0"

GENERAL NOTES

- A. NOT USED
- B. NOT USED

SEAL

DATE	STATUS
3.23.2005	CD
8.02.2005	permit set

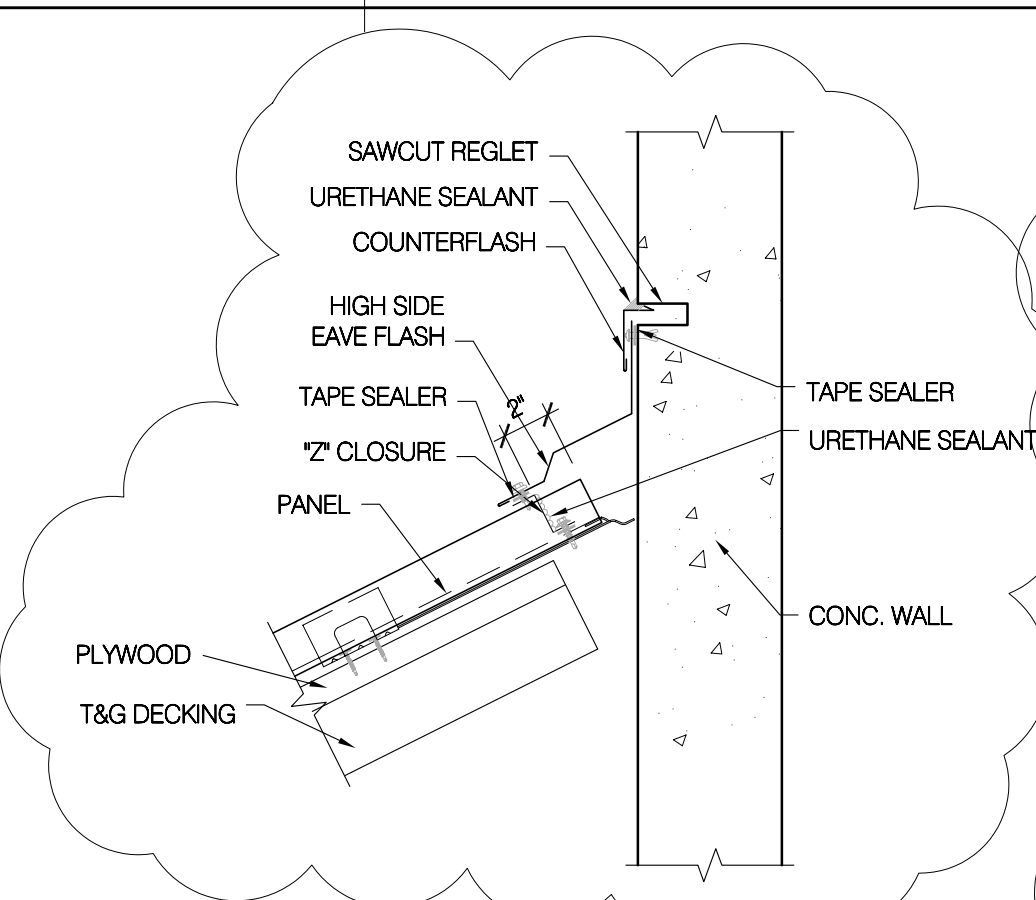
KEY PLAN

PROJECT NUMBER	4100
CAO DWG FILE	ae405.dwg
DRAWN BY	et
CHECKED BY	
SCALE	1/4" = 1'-0"

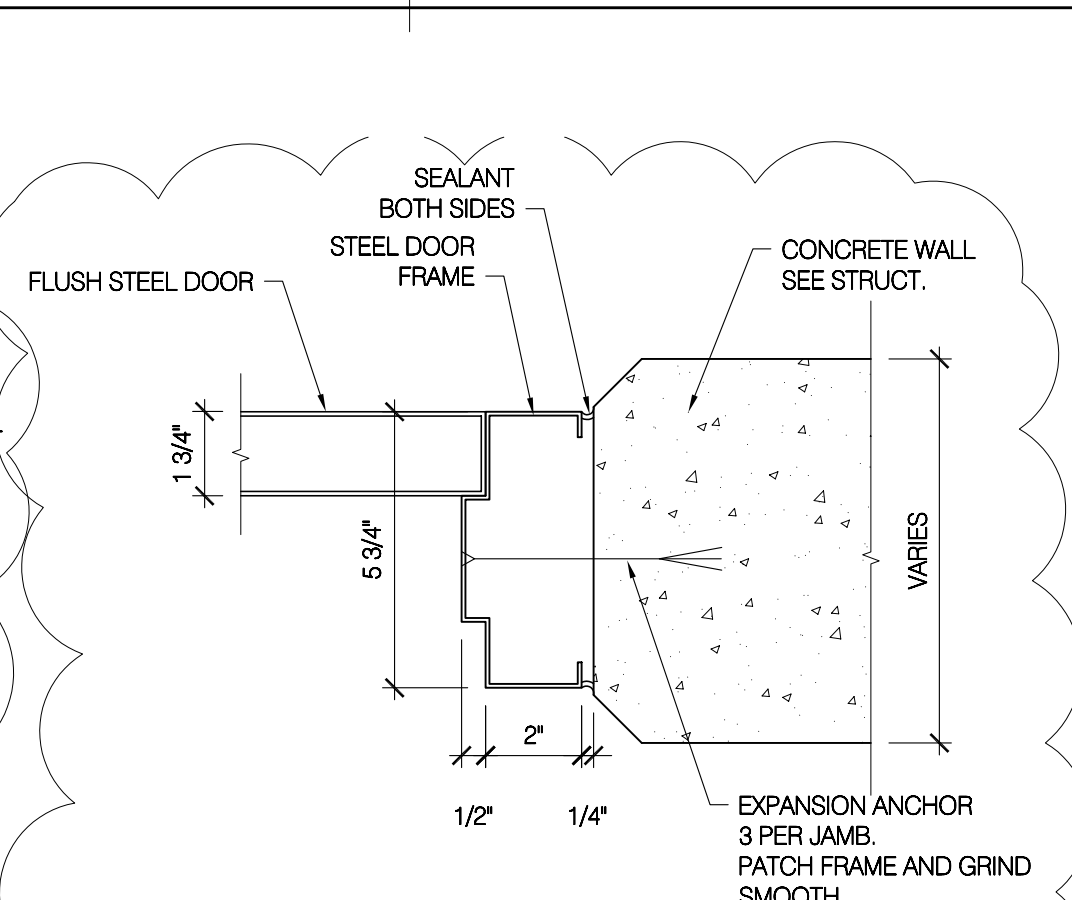
ENLARGED
STAIR PLANS
& SECTIONS

AE405

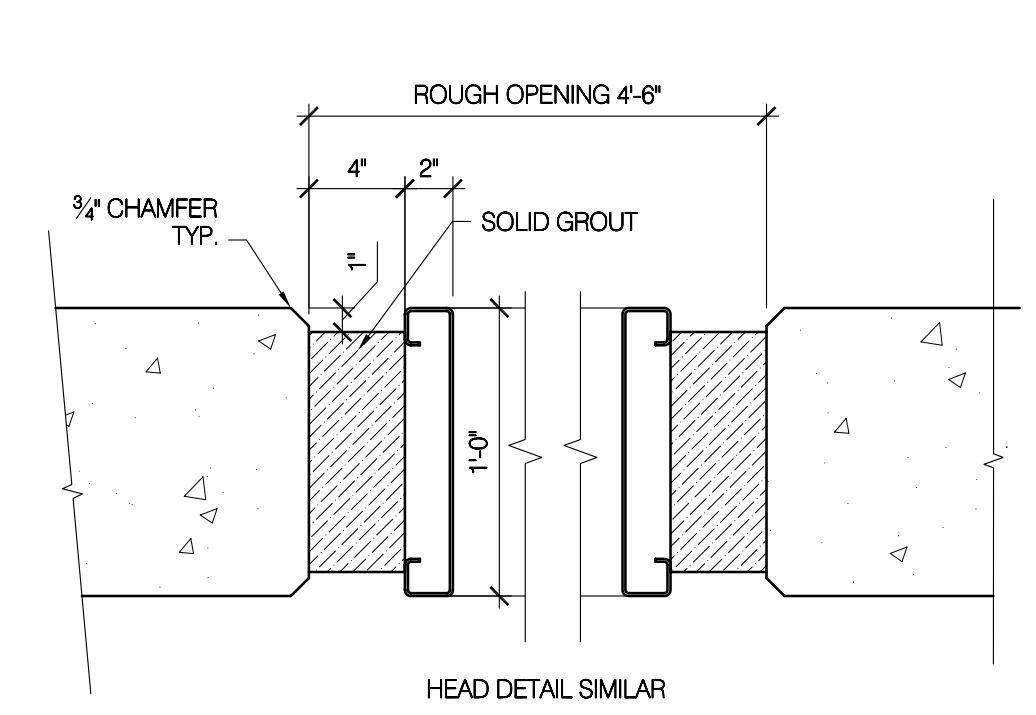
China Bridge Parking Expansion
Park City UT
Construction Documents



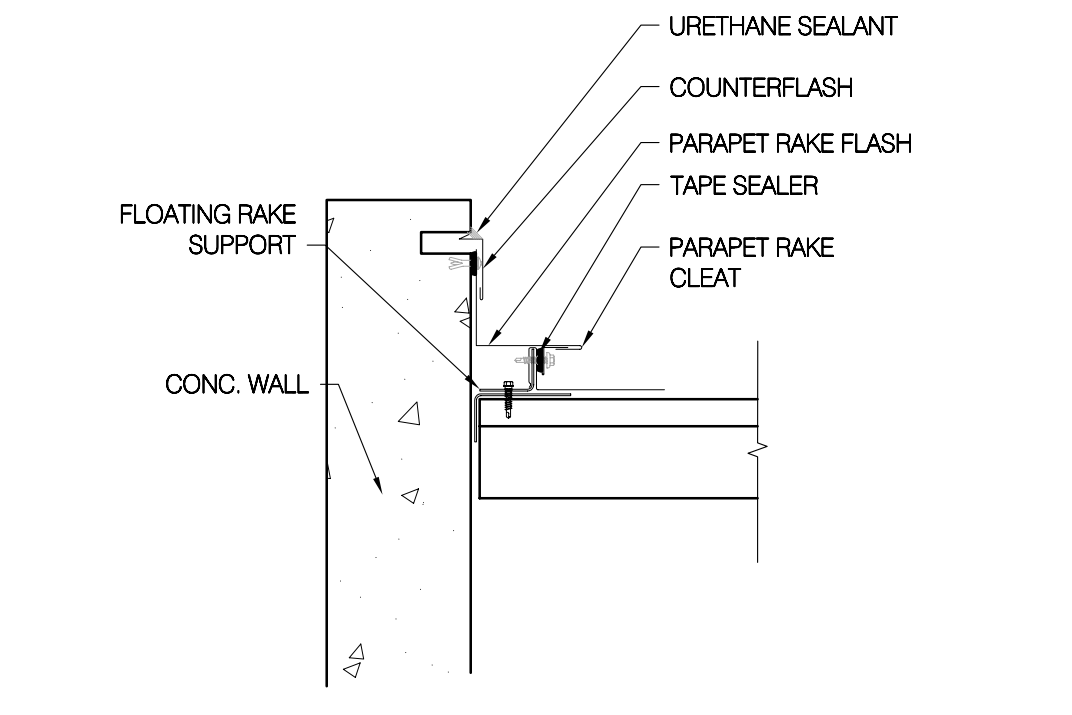
D1 HIGH SIDE EAVE
SCALE: 1 1/2" = 1'-0"



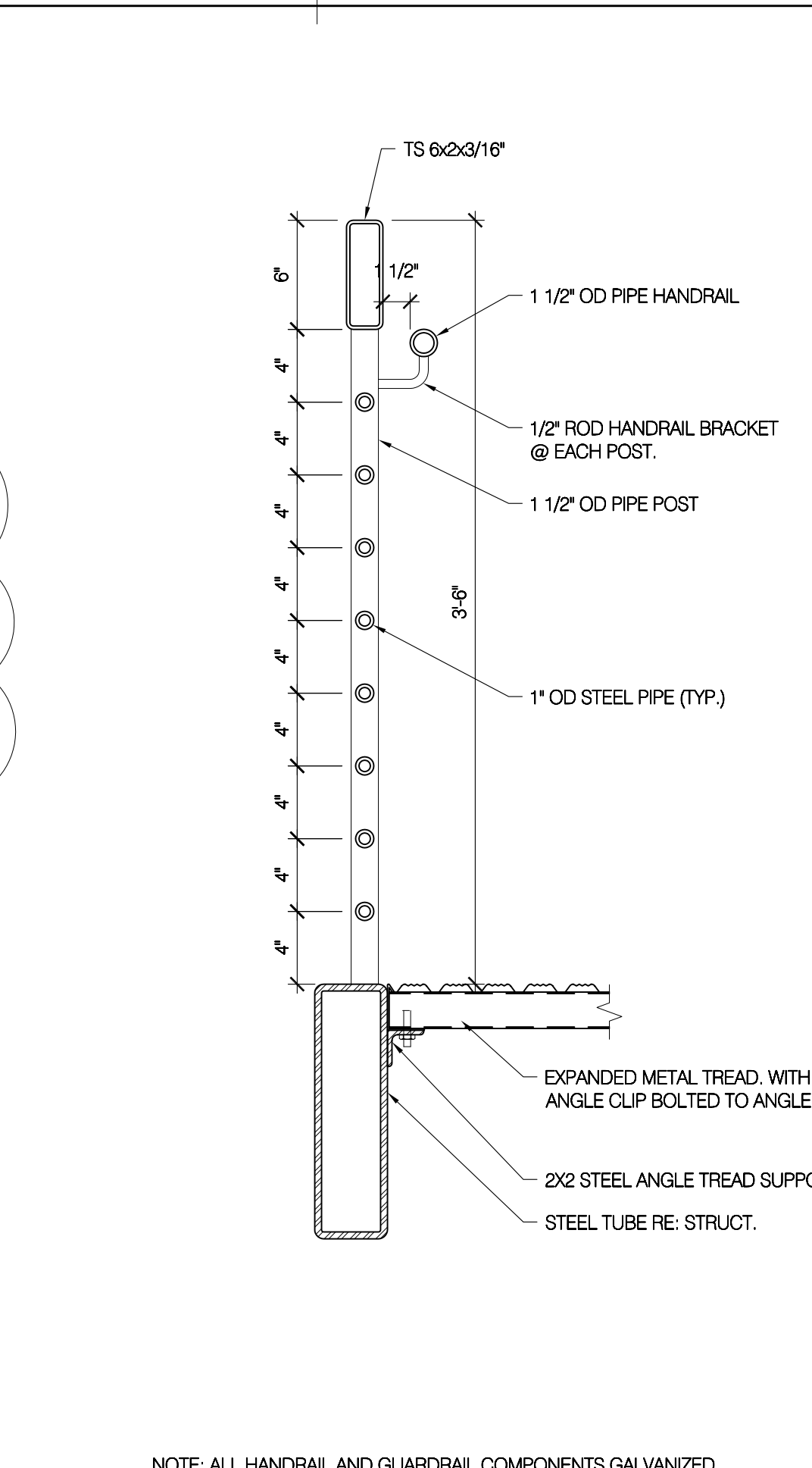
D2 STEEL DOOR HEAD & JAMB
SCALE: 3" = 1'-0"



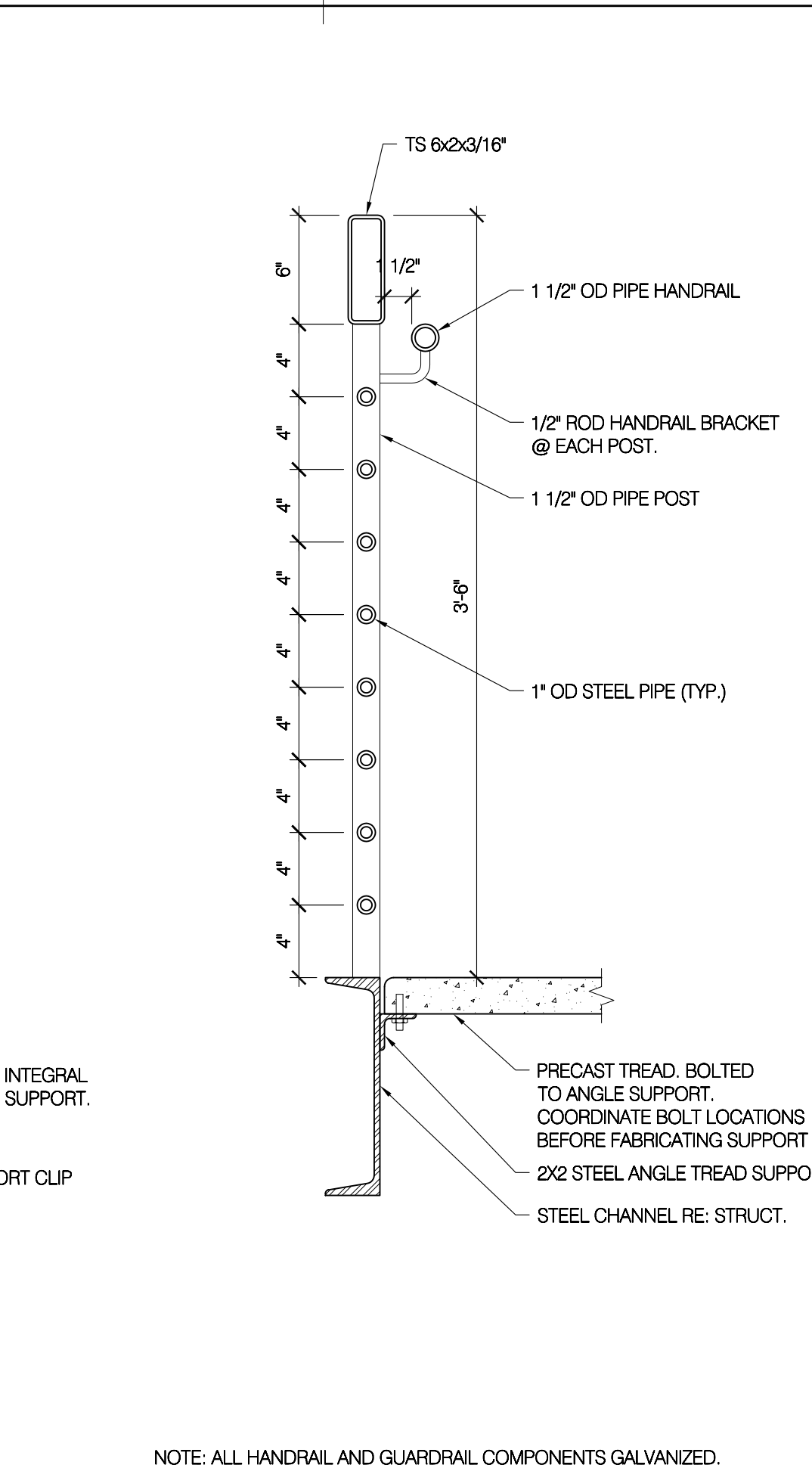
C1 ELEVATOR JAMB DTL.
SCALE: 1 1/2" = 1'-0"



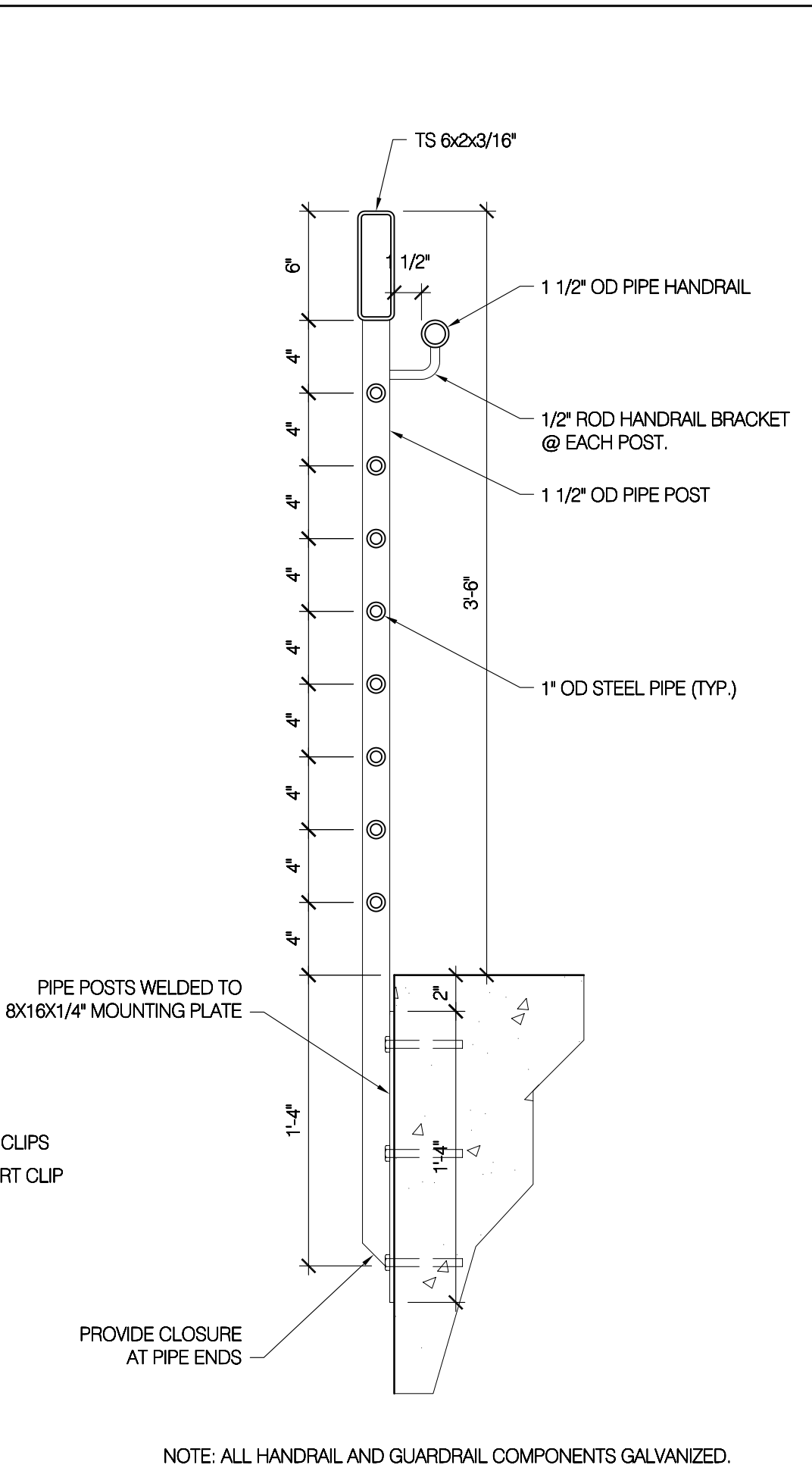
C2 FLOATING RAKE
SCALE: 1 1/2" = 1'-0"



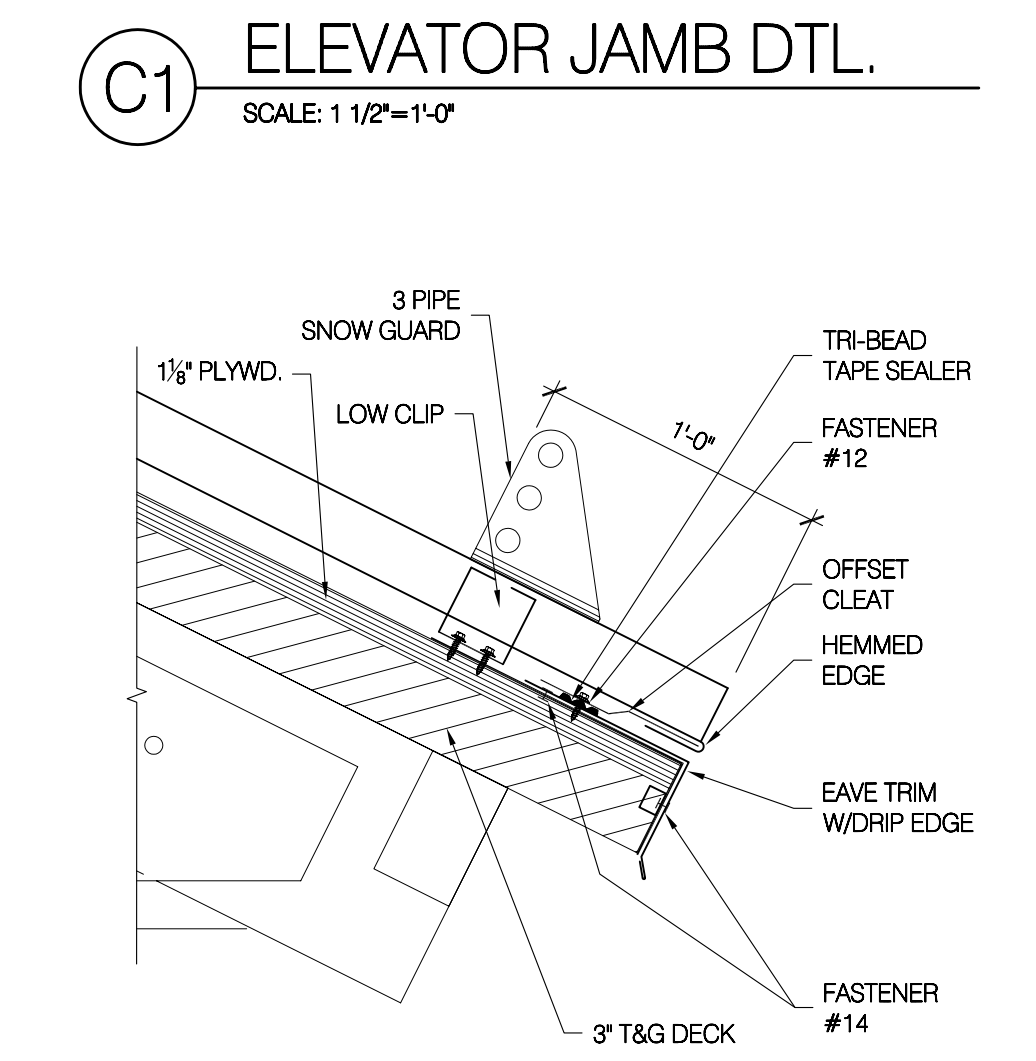
C3 GUARDRAIL DETAIL
SCALE: 1 1/2" = 1'-0"



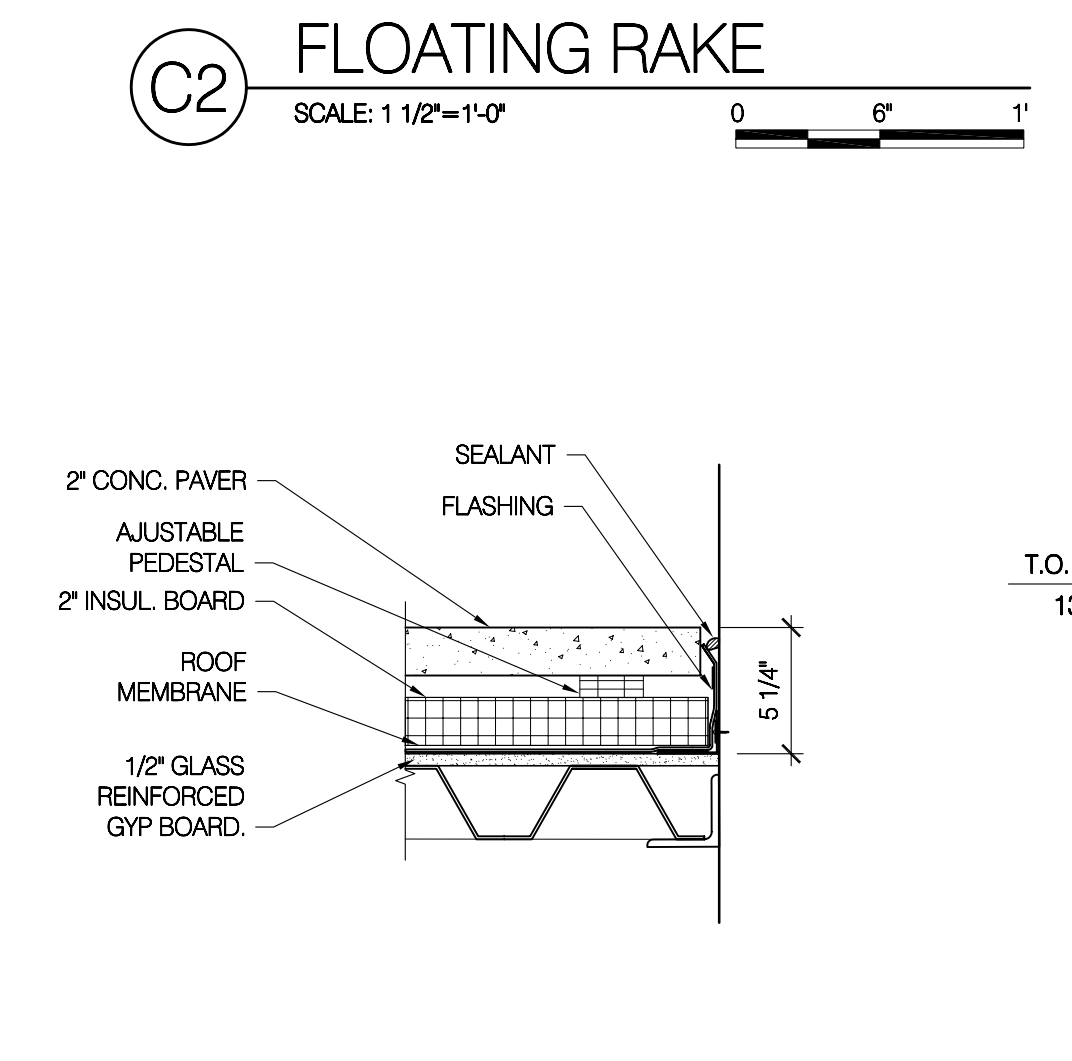
C4 GUARDRAIL DETAIL
SCALE: 1 1/2" = 1'-0"



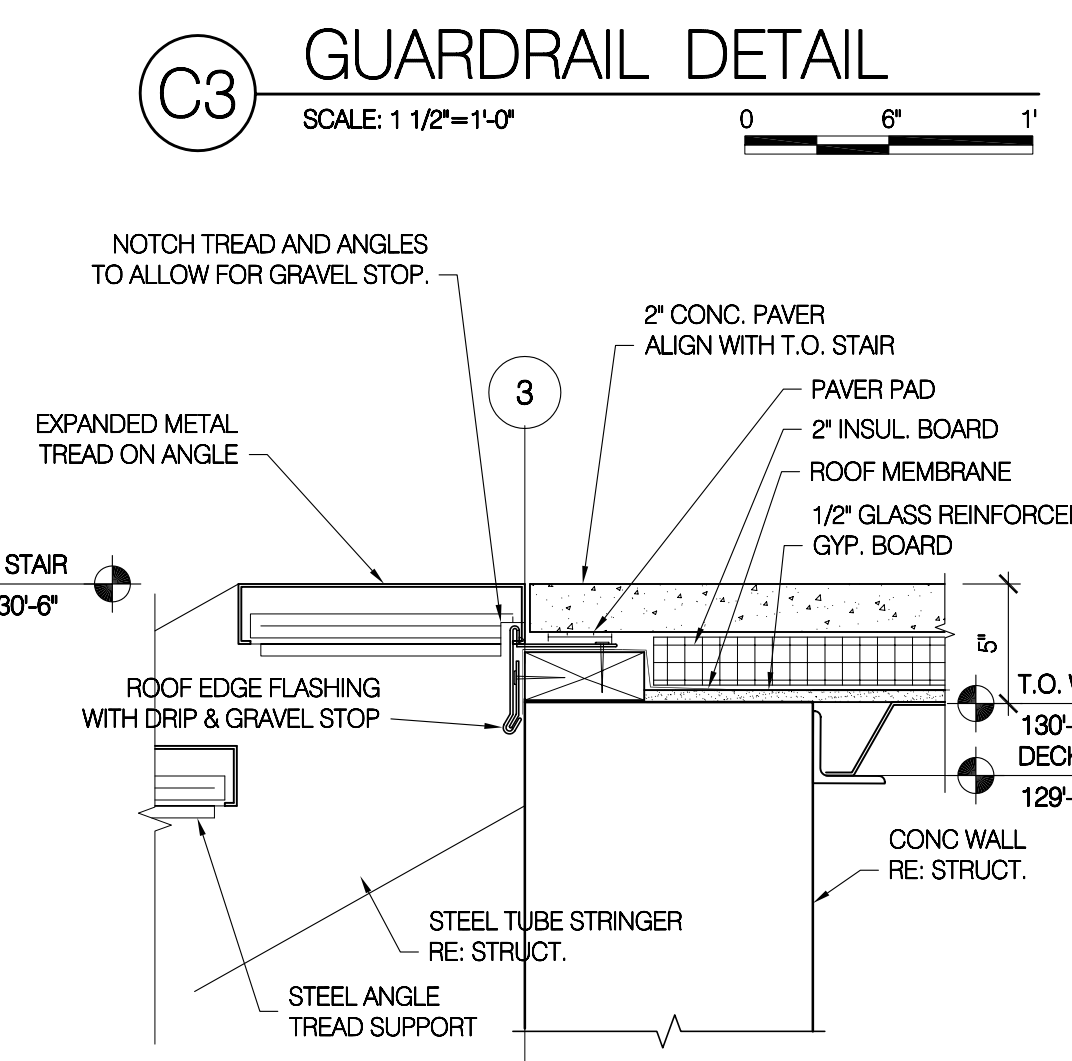
C5 GUARDRAIL DETAIL
SCALE: 1 1/2" = 1'-0"



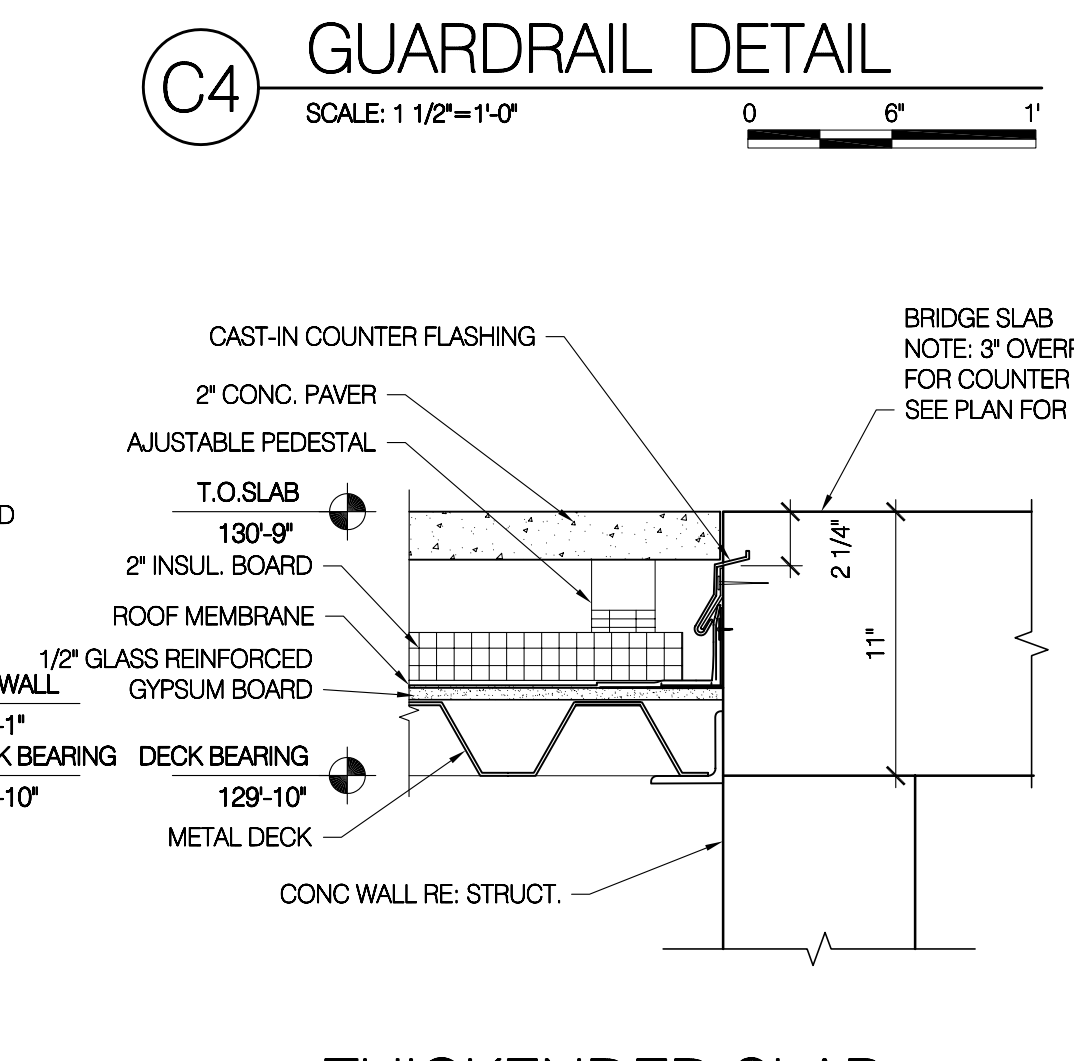
B1 TYP. EAVE TRIM
SCALE: 1 1/2" = 1'-0"



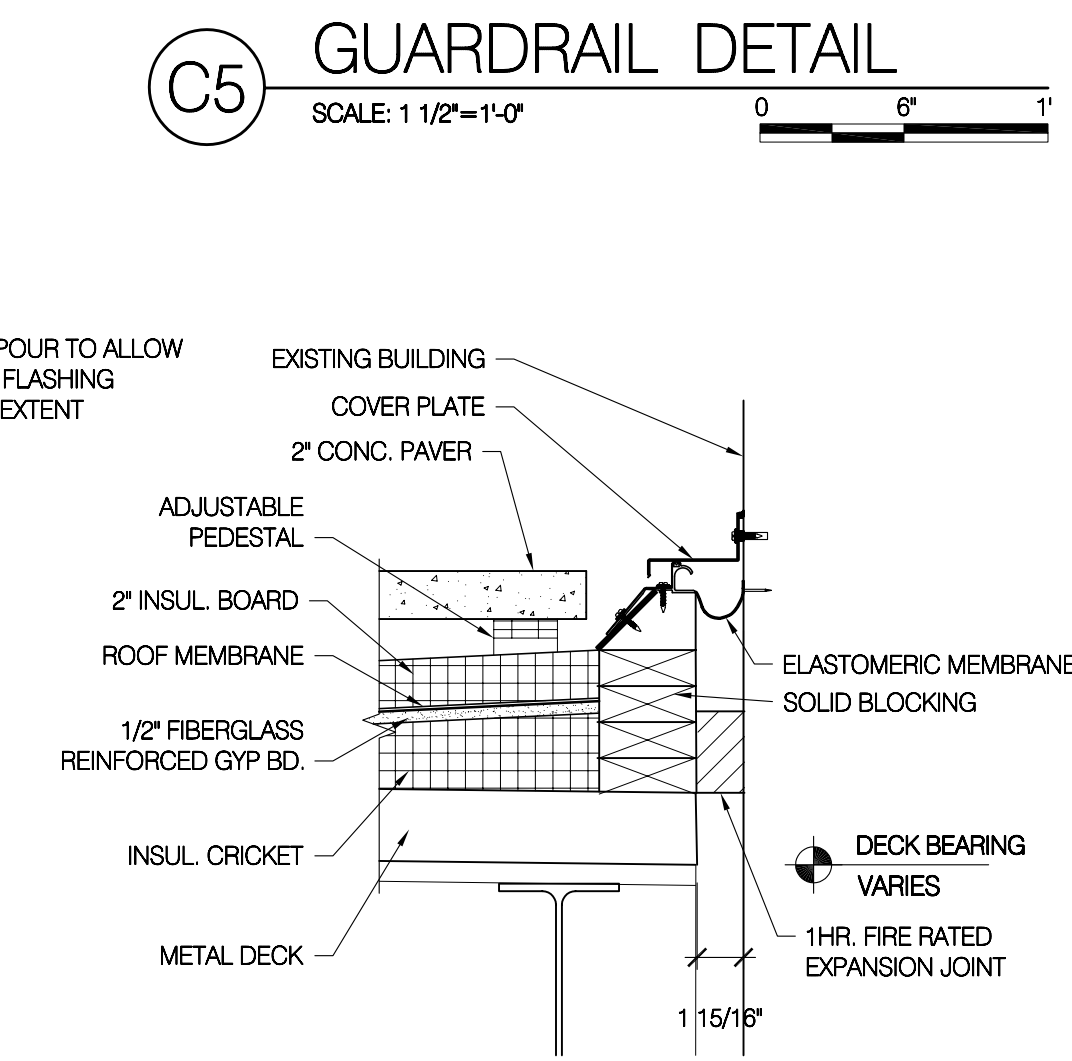
B2 TYP. PERIMETER FLASHING
SCALE: 1 1/2" = 1'-0"



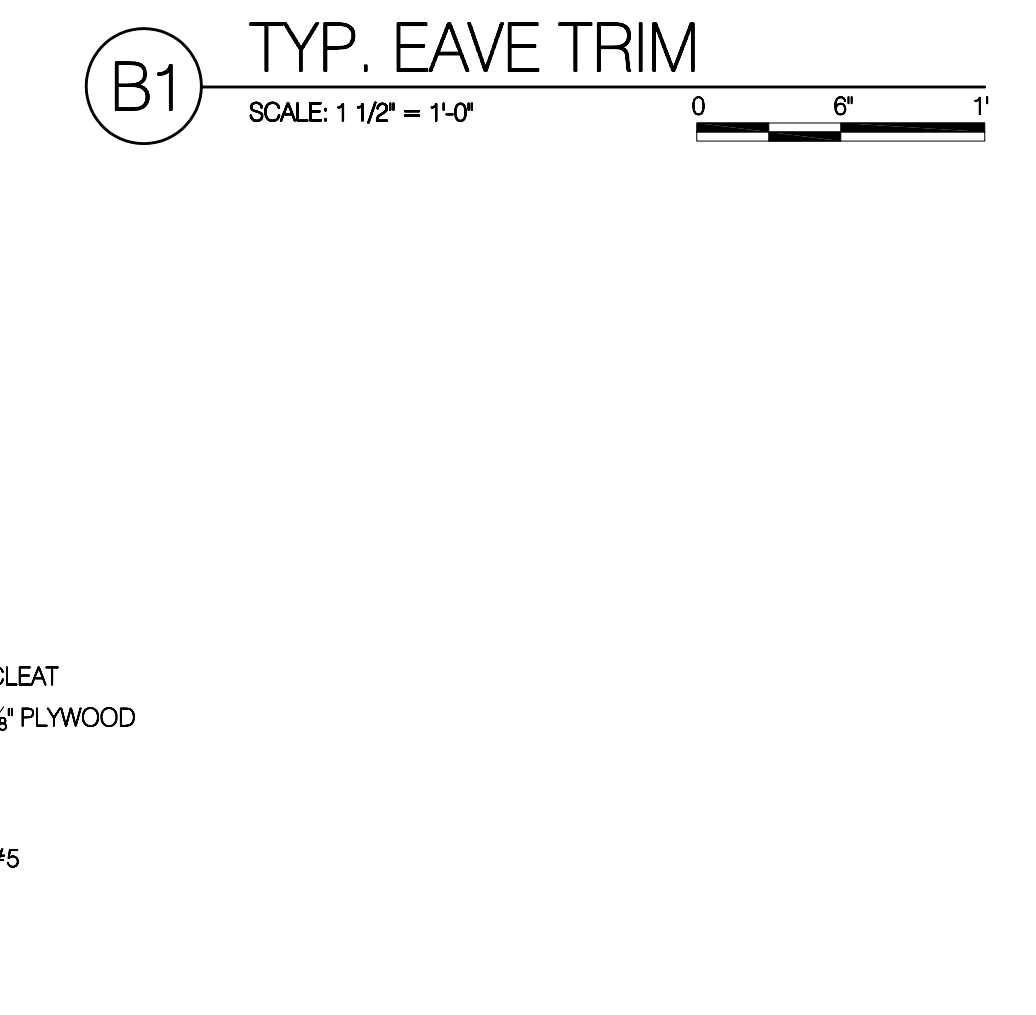
B3 EDGE FLASHING DETAIL
SCALE: 1 1/2" = 1'-0"



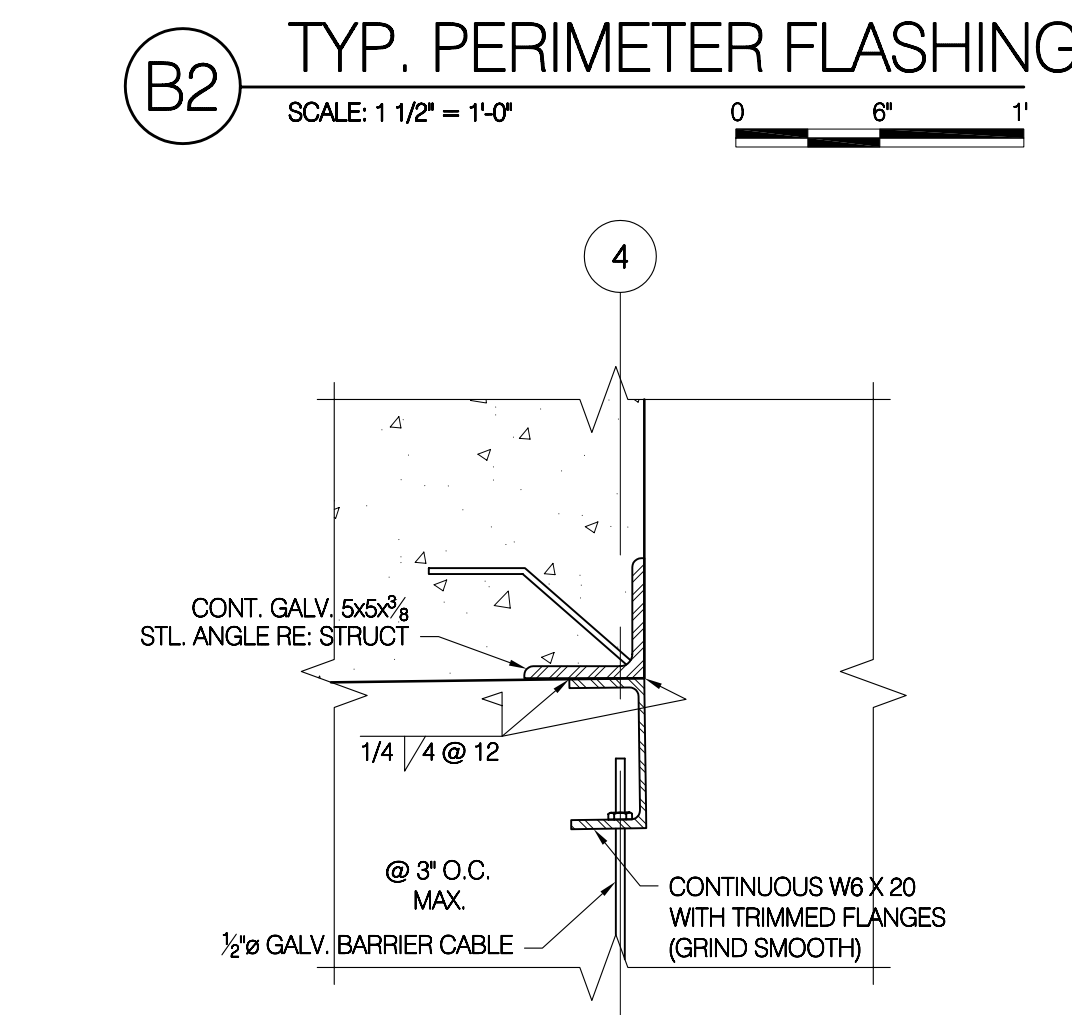
B4 THICKENED SLAB AT WALKWAY
SCALE: 1 1/2" = 1'-0"



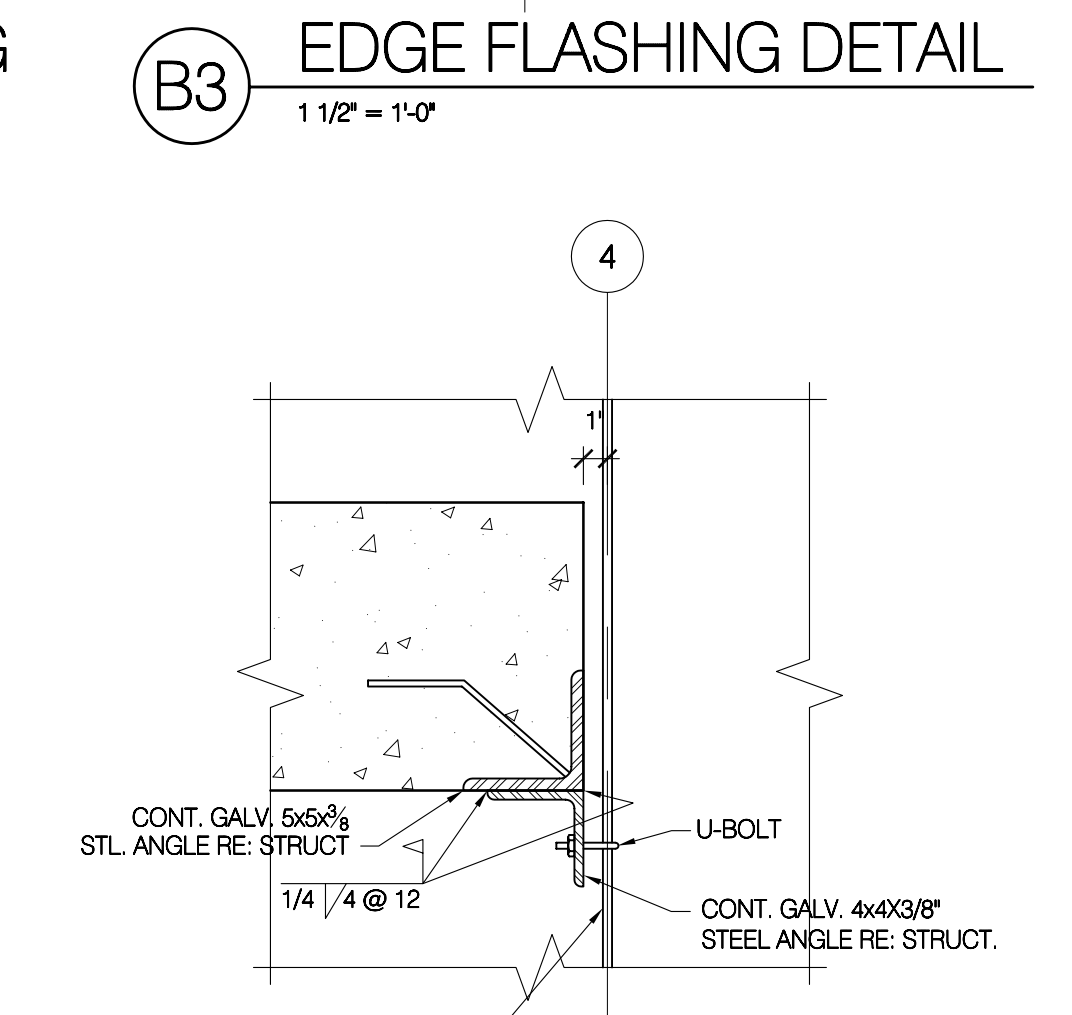
B5 EXPANSION JOINT LINER DETAIL
SCALE: 1 1/2" = 1'-0"



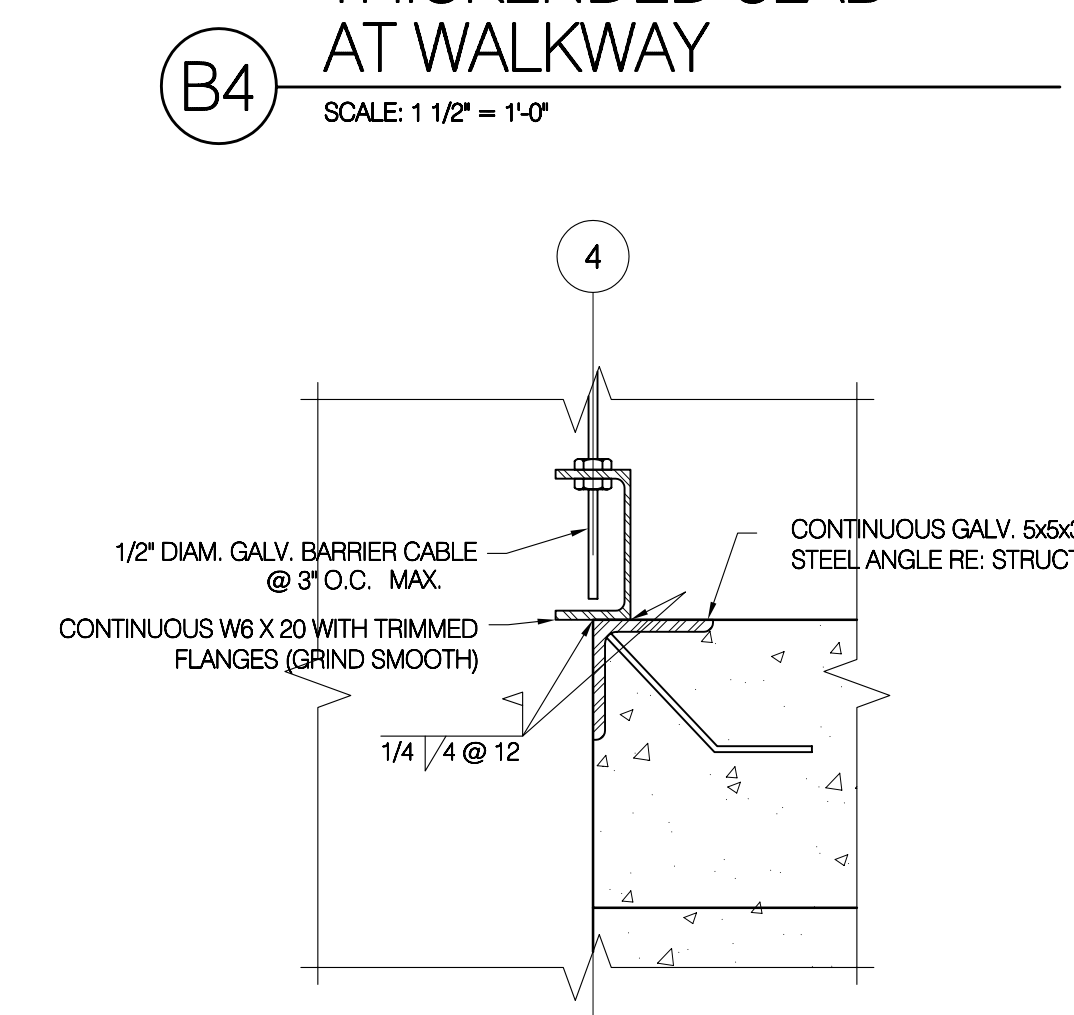
A1 TYP. RAKE DETAIL
SCALE: 3" = 1'-0"



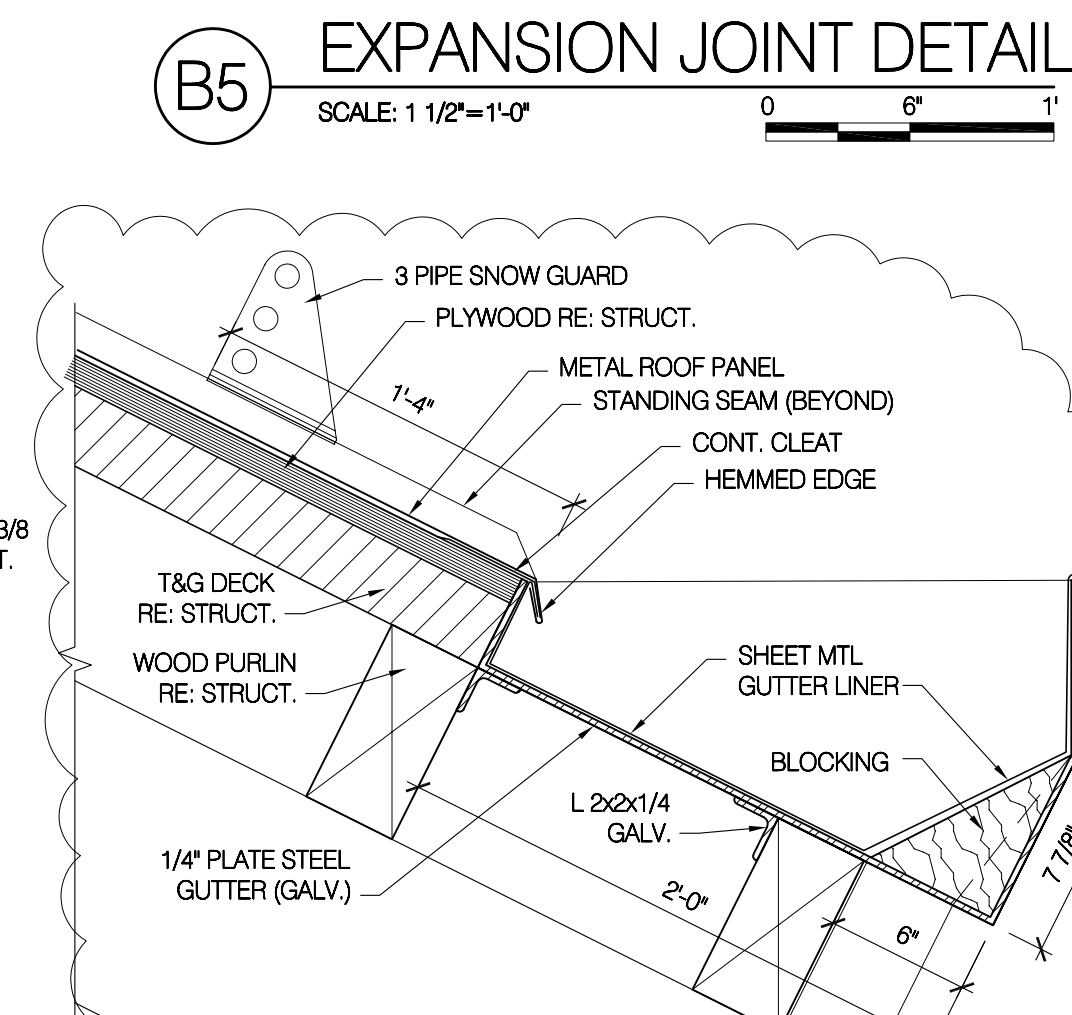
A2 BARRIER CABLE DETAIL
SCALE: 1 1/2" = 1'-0"



A3 BARRIER CABLE DETAIL
SCALE: 1 1/2" = 1'-0"



A4 BARRIER CABLE DETAIL
SCALE: 1 1/2" = 1'-0"



A5 GUTTER
SCALE: 1 1/2" = 1'-0"

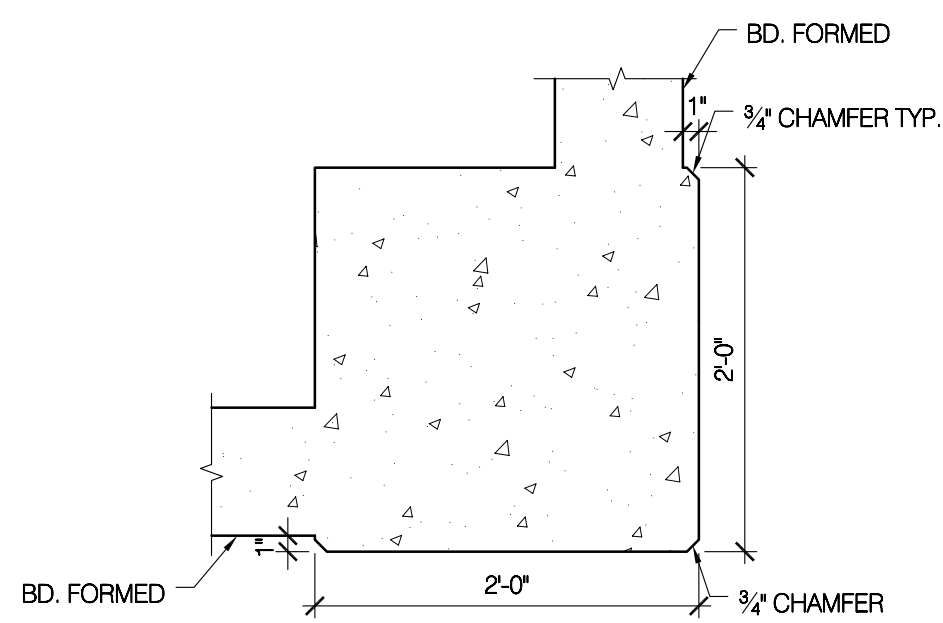
DATE	STATUS
3.23.2005	CD
8.02.2005	permit set

PROJECT NUMBER	4100
CAD DWG FILE	ae501.dwg
DRAWN BY	et
CHECKED BY	

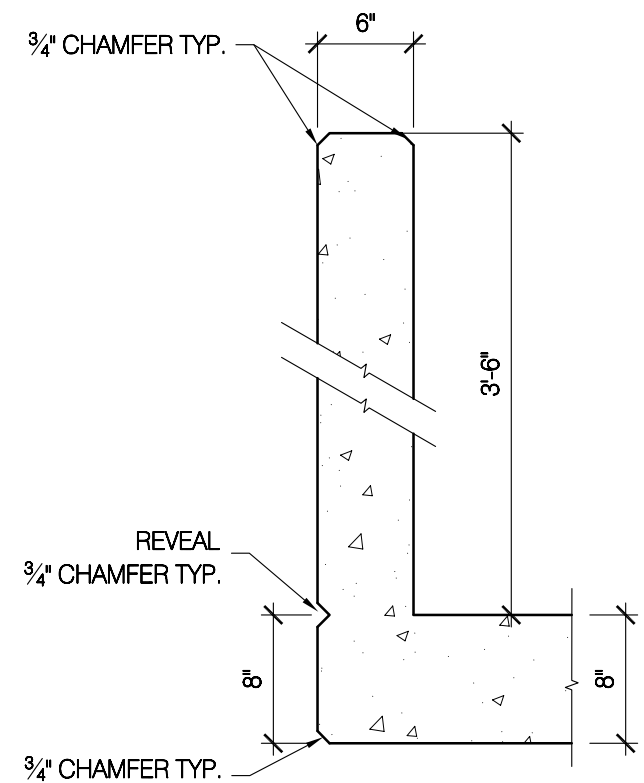
SCALE	1 1/2" = 1'-0"
-------	----------------

DETAILS

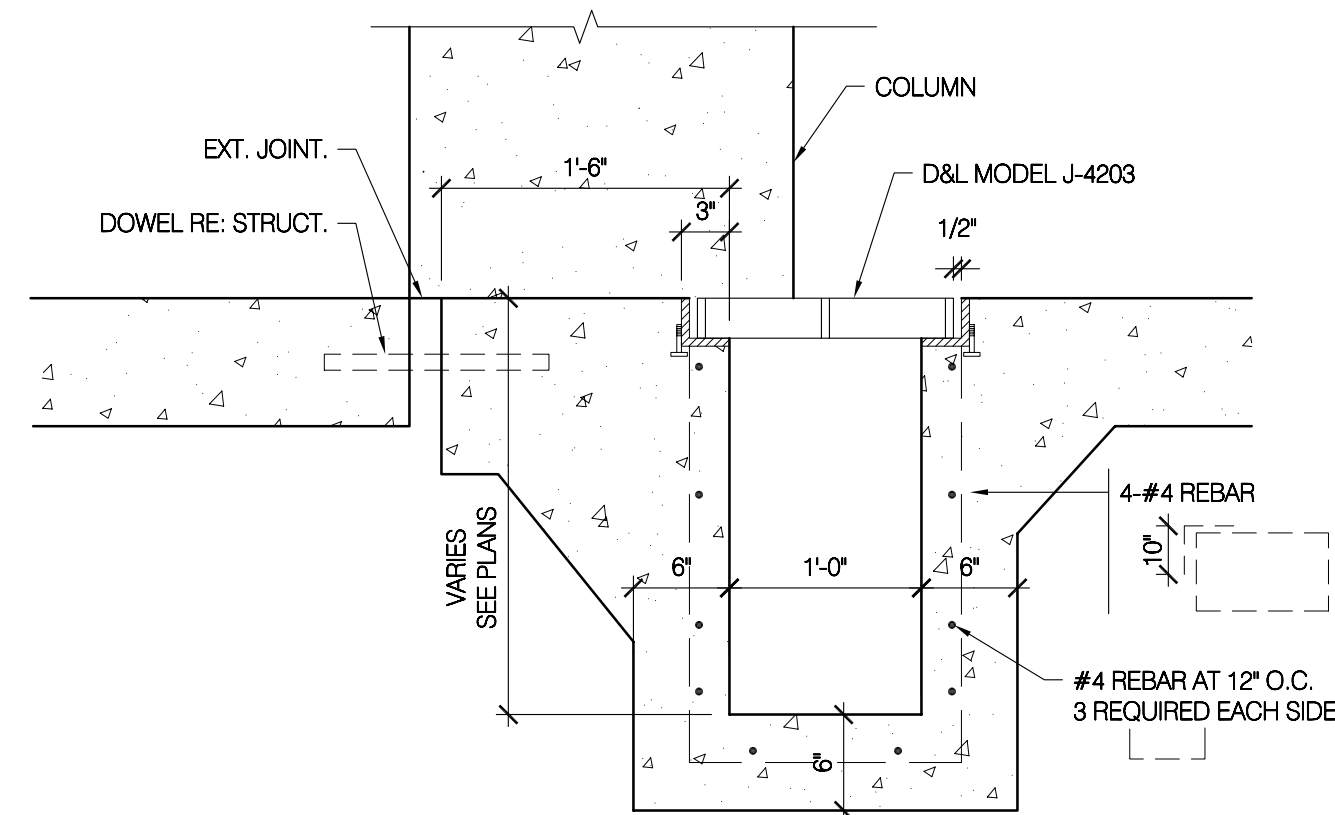
AE501



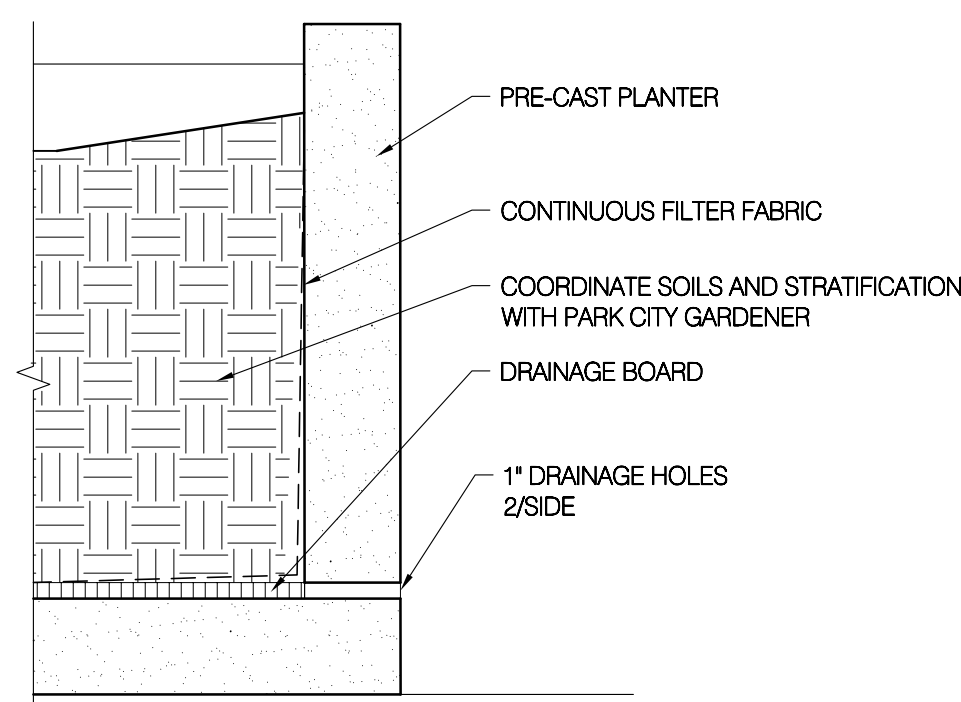
B1 BD. FORM CONC. RECESS
1" = 1'-0"



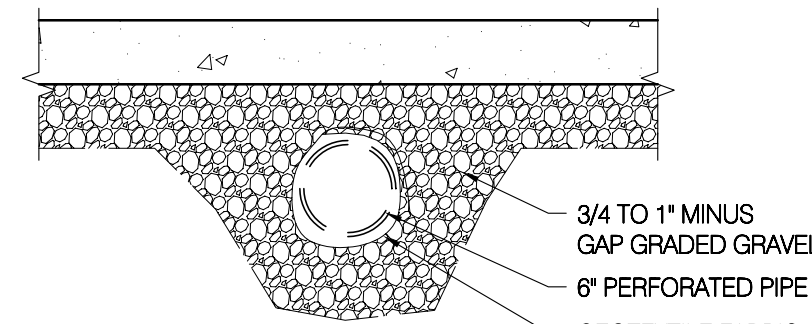
A1 CONC. GUARD DETAIL
1" = 1'-0"



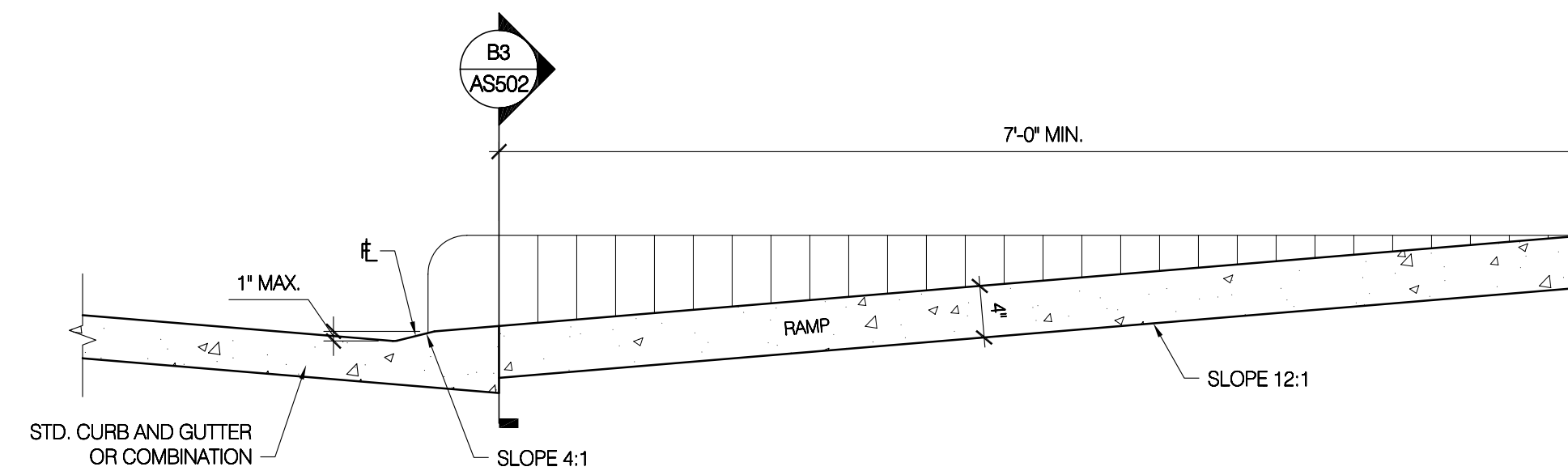
B2 TRENCH DRAIN DETAIL
1" = 1'-0"



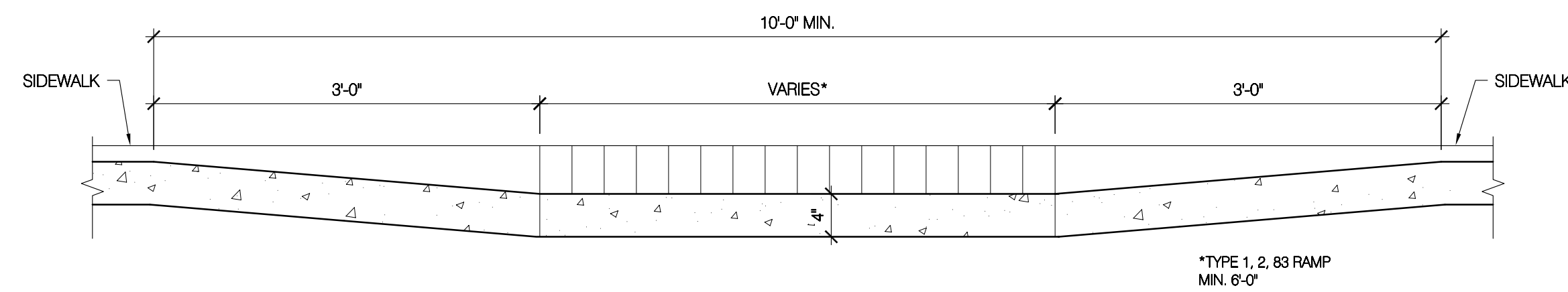
A2 PLANTER DETAIL
1" = 1'-0"



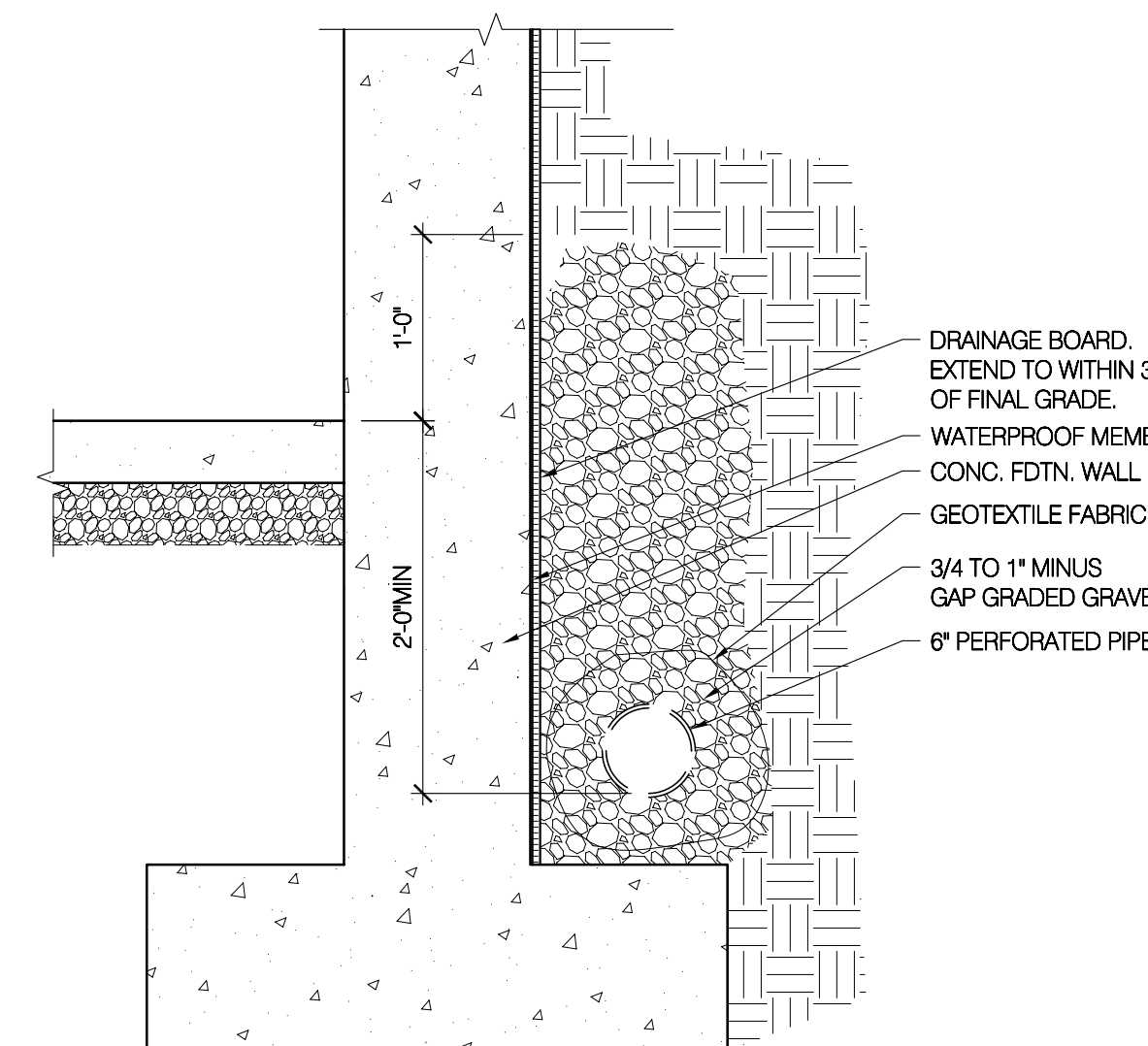
A3 TYPICAL SUB-DRAINAGE
1" = 1'-0"



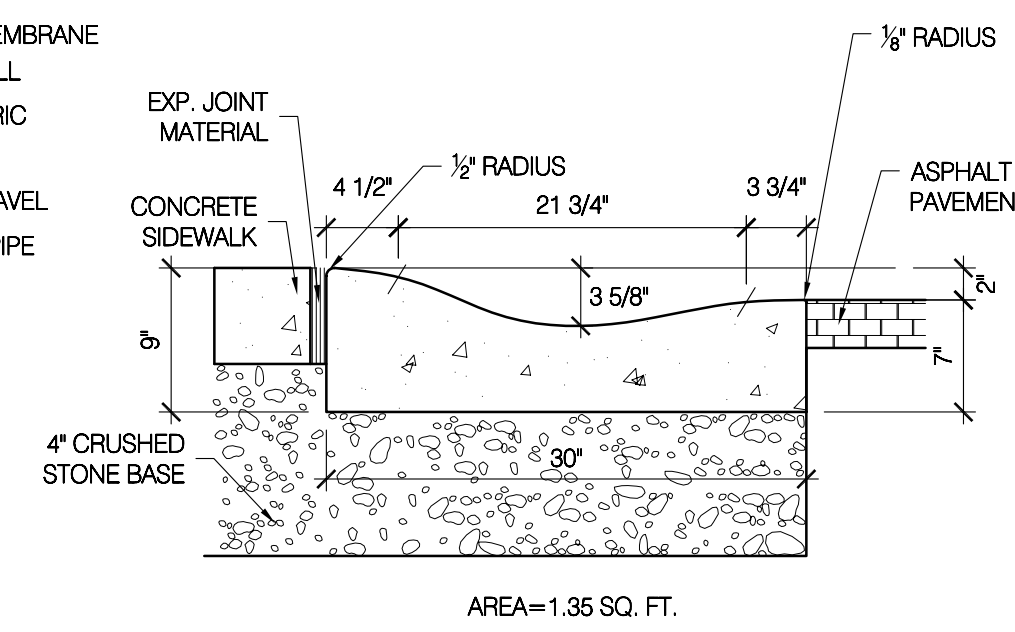
C3 HANDICAP RAMP DETAIL
1" = 1'-0"



B3 HANDICAP RAMP DETAIL
1" = 1'-0"



A4 TYPICAL FDTN DRAINAGE
1" = 1'-0"



A5 ROLL GUTTER
1" = 1'-0"

REFERENCE NOTES

1. NOT USED
2. NOT USED



Bogue Building
730 Pacific Avenue
Salt Lake City
Utah 84104
801.521.6186 tel
801.539.1916 fax
www.ffkr.com

China Bridge Parking Expansion
Park City UT
Construction Documents

GENERAL NOTES

- A. NOT USED
- B. NOT USED

DATE	STATUS
3.23.2005	CD
8.02.2005	permit set

PROJECT NUMBER	4100
CAD DWG FILE	ae502.dwg
DRAWN BY	et
CHECKED BY	

SCALE 1" = 1'-0"

DETAILS

AE502

LEGEND OF MECHANICAL SYMBOLS AND ABBREVIATIONS

D

C

B

A

SINGLE LINE	DOUBLE LINE	
		POSITIVE PRESSURE DUCT - RISE
		POSITIVE PRESSURE DUCT - DROP
		NEGATIVE PRESSURE DUCT - RISE
		NEGATIVE PRESSURE DUCT - DROP
		ROUND DUCT - RISE
		ROUND DUCT - DROP
		UNDER FLOOR DUCT
		TURNING VANES
		FRESH AIR LOUVER
		RELIEF AIR OR EXHAUST AIR LOUVER
		CEILING SUPPLY DIFFUSER
		CEILING RETURN REGISTER
		CEILING EXHAUST REGISTER, (BALANCE TO MATCH SUPPLY IF RETURN CFM IS NOT SHOWN)
		SIDEWALL SUPPLY REGISTER
		SIDEWALL EXHAUST OR RETURN REGISTER
		CEILING SUPPLY DIFFUSER WITH FLEXIBLE DUCT
		CEILING RETURN AIR GRILLE W/ SOUND BOOT
		LINEAR DIFFUSER WITH PLENUM AND FLEXIBLE DUCT CONNECTION. NO. OF SLOTS ON TOP, ACTIVE LENGTH AND CFM ON BOTTOM
		FLEXIBLE DUCT CONNECTION
		FLEXIBLE DUCT
		FAN
		RECTANGULAR DUCT WITH NET INSIDE DIMENSIONS SHOWN IN INCHES.
		ROUND DUCT WITH NET INSIDE DIMENSIONS SHOWN IN INCHES.
		INCLINED RISE
		INCLINED DROP
		R/W=1. ROUND DUCT SIMILAR TO RECTANGULAR
		RECTANGULAR TO RECTANGULAR OR ROUND TO ROUND DUCT TRANSFORMATION MAXIMUM 15° INCLUDED ANGLE EXCEPT WHERE SHOWN OTHERWISE.
		RECTANGULAR TO ROUND DUCT TRANSFORMATION
		BRANCH DUCT SPLIT WITH 6" WIDTH AND MIN. R=WIDTH OF BRANCH DUCT DOWNSTREAM. ELBOW TURNING VANE OPTIONAL.
		TAP ENTRY AREA EQUALS 150% OF BRANCH AREA
		MANUAL VOLUME DAMPER
		FIRE DAMPER IN DUCT, W/ ACCESS PANEL REQD.
		COMBINATION FIRE/SMOKE DAMPER W/ ACCESS PANEL
		SMOKE DAMPER W/ ACCESS PANEL
		ATC DAMPER
		ACCESS PANEL IN DUCT OR PLENUM
		HEATING OR COOLING COIL IN DUCT
		SINGLE DUCT AIR TERMINAL BOX VARIABLE OR CONSTANT VOLUME. MIN. 1-1/2" TERMINAL INLET SIZE STRAIGHT DUCT AT TERMINAL INLET.

TOP FIGURES INDICATE NECK SIZE. BOTTOM FIGURE INDICATES CFM.

WITH RESPECT TO AIR FLOW 15° NOMINAL INCLINE WITH RADIUS TURNS=DEPTH OF DUCT.

	4-WAY BLOW PATTERN
	3-WAY BLOW PATTERN
	2-WAY BLOW PATTERN
	2-WAY BLOW PATTERN
	1-WAY BLOW PATTERN
	LOW PRESSURE CONDENSATE
	MEDIUM PRESSURE CONDENSATE
	HIGH PRESSURE CONDENSATE
	LOW PRESSURE STEAM
	MEDIUM PRESSURE STEAM
	HIGH PRESSURE STEAM
	VACUUM
	PUMPED CONDENSATE
	MAKE UP WATER
	NATURAL GAS
	EXISTING PIPING
	CHILLED WATER SUPPLY
	CHILLED WATER RETURN
	CONDENSER WATER SUPPLY
	CONDENSER WATER RETURN
	HEATING HOT WATER SUPPLY
	HEATING HOT WATER RETURN
	GLYCOL HEAT RECOVERY PIPING
	GLYCOL PIPING SOLUTION
	LIQUIFIED PETROLEUM GAS
	EXISTING PIPING TO BE REMOVED
	REFRIGERANT LIQUID
	REFRIGERANT SUCTION
	HOT GAS
	SOLENOID VALVE
	EXPANSION JOINT
	ALIGNMENT GUIDE
	DEMOLITION
	PRESSURE GAUGE WITH SHUT-OFF COCK
	PRESSURE GAUGE WITH PICTAL
	FLANGE
	UNION
	FLOW METER ORIFICE
	AIR VENT-MANUAL
	AIR VENT-AUTO

	FLOW SWITCH
	PRESSURE SWITCH
	REDUCED PRESSURE BACKFLOW PREVENTOR W/ DRAIN PAN
	PRESSURE REDUCING, SELF CONTAINED VALVE
	PRESSURE REDUCING, EXTERNAL PRESSURE VALVE
	BALL VALVE (PIPE SIZES 2" AND SMALLER) BUTTERFLY VALVE (PIPE SIZES 2-1/2" AND LARGER)
	CHECK VALVE
	MOTOR OPERATED BUTTERFLY VALVE
	GAS COCK
	RELIEF VALVE
	GATE VALVE
	ATC VALVE - 2 WAY
	ATC VALVE - 3 WAY
	GLOBE VALVE
	FLOW CONTROL VALVE
	CALIBRATED BALANCING VALVE
	SHUT-OFF COCK FOR USE WITH PRESSURE GAUGE
	PUMP
	FLEXIBLE CONNECTION
	FLOW METER
	90° ELBOW
	45° ELBOW
	REDUCER
	CONCENTRIC REDUCER
	ECCENTRIC REDUCER
	LATERAL STRAINER WITH BLOW-OFF VALVE, PROVIDE HOSE WHERE DISCHARGE IS NOT PIPED TO DRAIN
	THERMOMETER 0-100°F
	THERMOSTAT
	NIGHT THERMOSTAT
	SENSOR
	STEAM TRAP, F&T=FLOAT & THERMOSTATIC B=BUCKET, T=THERMOSTATIC
	DUCT SMOKE DETECTOR
	ARROW INDICATES DIRECTION OF FLOW IN PIPE
	LEADER INDICATES DOWNWARD SLOPE
	PIPE INTO PLANE
	PIPE OUT OF PLANE
	PIPE BRANCH - IN TO PLANE
	PIPE BRANCH - OUT OF PLANE
	PIPE BRANCH - IN PLANE

	NRS GATE VALVE WITH SUPERVISION
	FLOW SWITCH
	HOSE VALVE
	ROOF DRAIN
	ROOF DRAIN OVERFLOW
	CLEAN-OUT
	FLOOR CLEAN-OUT OR CLEAN-OUT TO GRADE
	VENT THRU ROOF
	DOMESTIC COLD WATER
	DOMESTIC HOT WATER
	DOMESTIC RECIRCULATING HOT WATER
	SEWER (BELOW GRADE)
	SEWER (ABOVE GRADE)
	VENT (SEWER)
	PLUMBING FIXTURES
	POINT OF CONNECTION
	SECTION TAG - TOP FIGURE IS SECTION NO. BOTTOM FIGURE IS SHEET NO.
	DETAIL TAG - TOP FIGURE IS DETAIL NO. BOTTOM FIGURE IS SHEET NO.
	EQUIPMENT IDENTIFICATION
	KEYED NOTE IDENTIFICATION
	ANCHOR

This document is provided for the contractors convenience only. The DESIGN PROFESSIONAL cannot assure its accuracy or installation and thus is not responsible for the accuracy of this drawing or for any errors or omissions which may have been incorporated into it as a result. Those relying on this document are advised to obtain independent verification of its accuracy before applying it for any purpose. Those relying on this document are using it at their own risk. This drawing cannot be used for any other project nor can it be transferred in any form to any other parties.

RECORD SET

VAN BOERUM & FRANK ASSOCIATES INC.
CONSULTING ENGINEERS

330 South 200 East
Salt Lake City, UT 84111
801.530.3148 T
801.530.3150 F

1620 W Foothillhead Pkwy
Tampa, AZ 85502
408.889.5875 T
408.889.5876 F

1704 W Sunset Blvd #3
St. George, UT 84770
435.674.2718 T
435.674.4800 F

LEGEND OF MECHANICAL SYMBOLS & ABBREVIATIONS

PA0.01

FFKR Architects

Bogue Building
730 Pacific Avenue
Salt Lake City
Utah 84104

801.521.6186 tel
801.539.1916 fax
www.ffkr.com

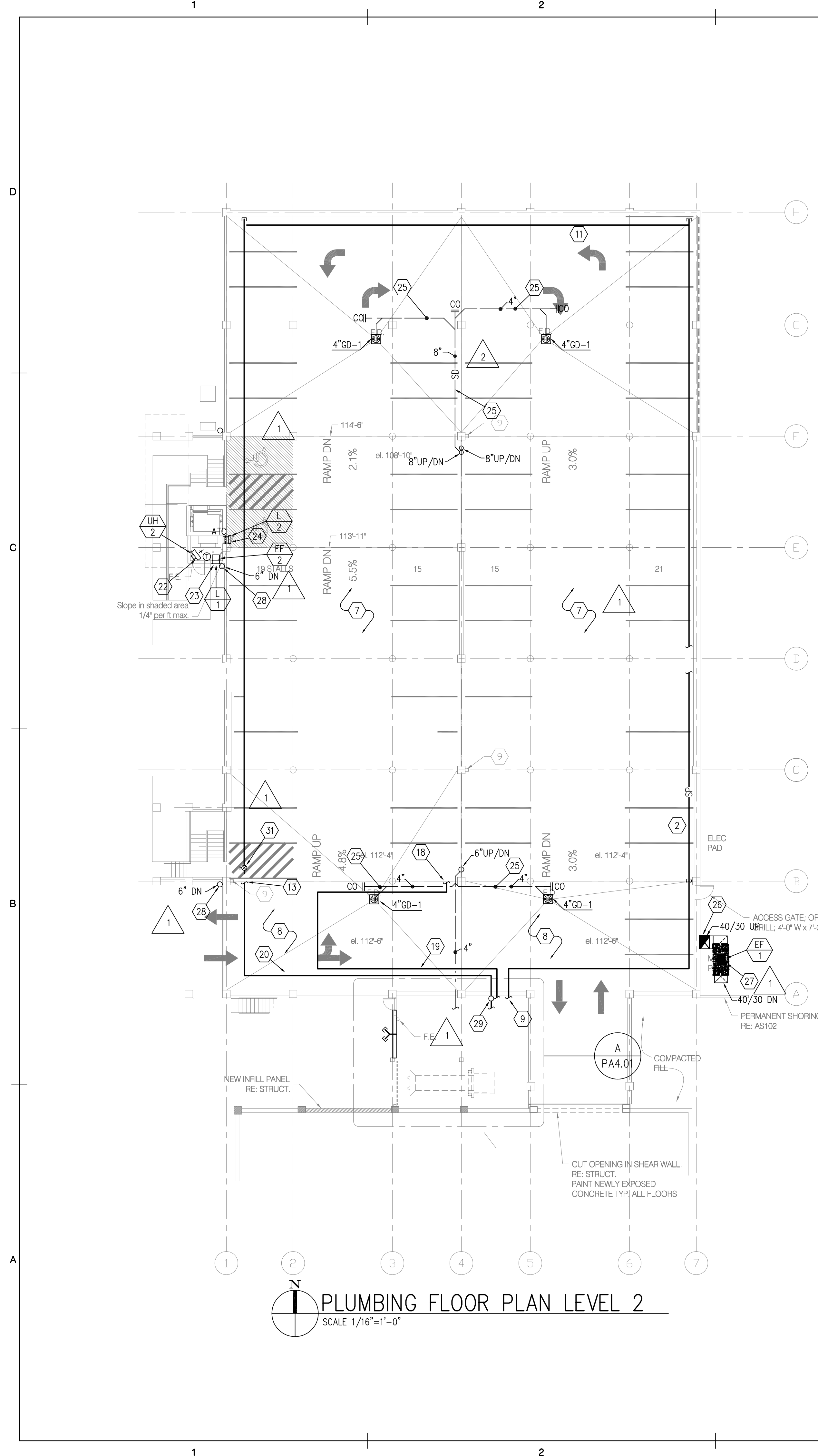
CHINA BRIDGE PARKING EXPANSION
Park City UT

CONSTRUCTION DOCUMENTS

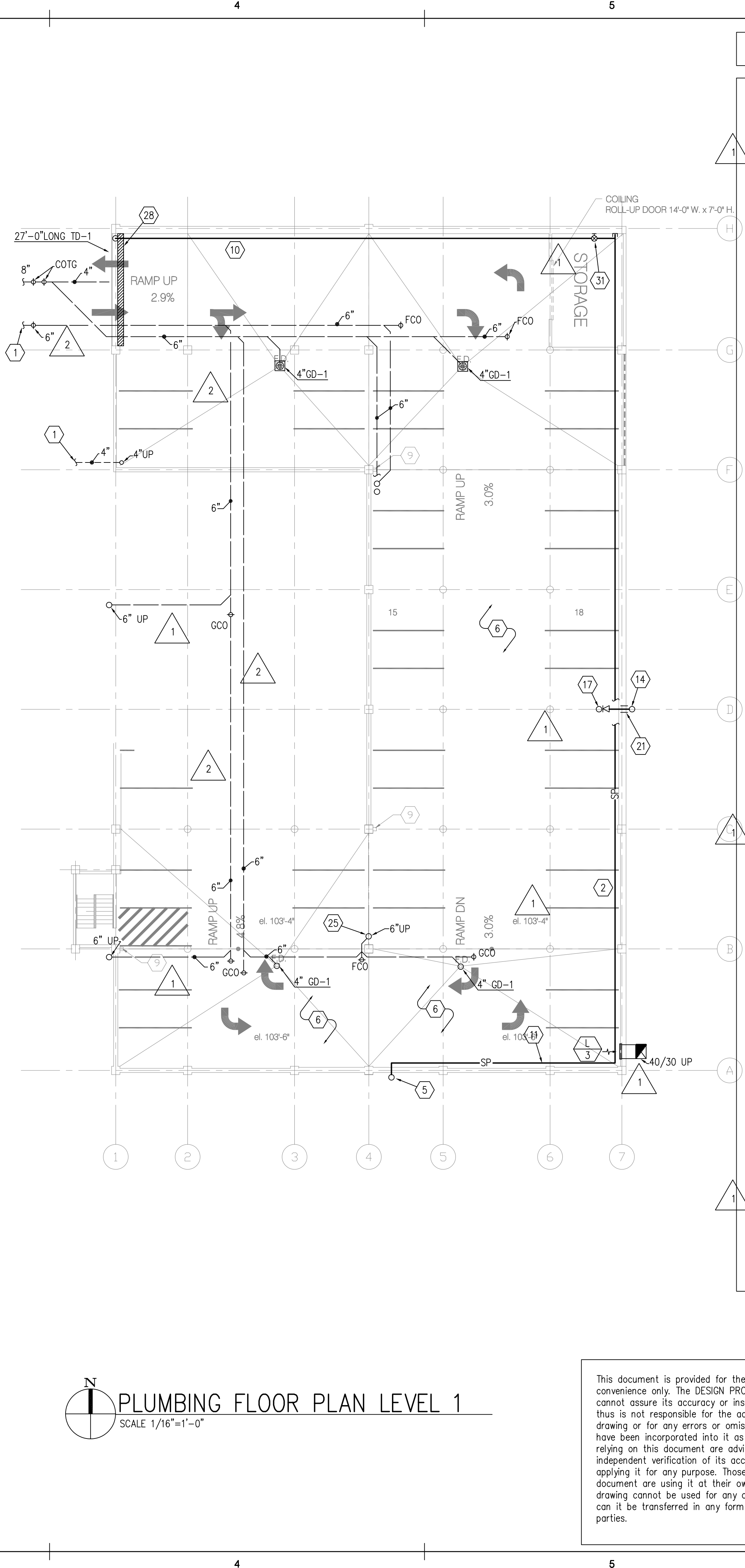
DATE	STATUS
03.23.05	100%
11.22.05	RE-ISSUE

PROJECT NUMBER	4067
CAO DWG FILE	
DRAWN BY	GR
CHECKED BY	

SCALE	NOT TO SCALE
-------	--------------



PLUMBING FLOOR PLAN LEVEL 2
SCALE 1/16"=1'-0"



PLUMBING FLOOR PLAN LEVEL 1
SCALE 1/16"=1'-0"

KEYED NOTES

- 1 TO STORM SEWER. SEE SITE PLAN.
- 2 CROSS MAIN FOR FIRE SPRINKLER RISER # 3.
- 3 DRY STANDPIPE. FOR CONTINUATION, SEE PLUMBING FLOOR PLAN LEVEL 1.
- 4 DRY STANDPIPE FROM BELOW FLOOR OF RISER ROOM. (ROUTED THROUGH CATCH BASIN). SEE ENLARGED PLUMBING PLAN LEVEL 1 FOR CONTINUATION.
- 5 CROSS MAIN FOR FIRE SPRINKLER RISER # 3 FROM BELOW FLOOR OF RISER ROOM. (ROUTED THROUGH CATCH BASIN). SEE ENLARGED PLUMBING PLAN LEVEL 1 FOR CONTINUATION.
- 6 FLOOR SERVED BY FIRE SPRINKLER RISER #3.
- 7 AREA SERVED BY FIRE SPRINKLER RISER #3 - FROM GRID B TO GRID H.
- 8 AREA SERVED BY FIRE SPRINKLER RISER #1 - FROM GRID A TO GRID B.
- 9 SEE "PLUMBING ENLARGED PLAN LEVEL 1" FOR PIPING CONTINUATION.
- 10 2" VALVE AND DRAIN TO TRENCH DRAIN AT THE EXTERIOR OF THE BUILDING.
- 11 SLOPE PIPE IN RISER #3 SYSTEM TO DRAIN LINE, TYPICAL.
- 12 CROSS MAIN FOR FIRE SPRINKLER RISER # 3. FOR CONTINUATION, SEE PLUMBING FLOOR PLAN LEVEL 2.
- 13 CROSS MAIN FOR FIRE SPRINKLER RISER # 1. FOR CONTINUATION, SEE PLUMBING FLOOR PLAN LEVEL 3.
- 14 DRY STANDPIPE UP TO FLOOR ABOVE. PROVIDE BALL DRIP AT BASE OF STANDPIPE.
- 15 HOSE VALVE. HOLD VALVE IN AREA OF WALL FACE.
- 16 DRY STANDPIPE RISER ON EXTERIOR OF BUILDING DOWN TO FLOOR BELOW AND UP TO FLOOR ABOVE.
- 17 HOSE VALVE -INSTALL BOLLARD TO PROTECT
- 18 CROSS MAIN FOR FIRE SPRINKLER RISER # 2. FOR CONTINUATION, SEE PLUMBING FLOOR PLAN LEVEL 3.
- 19 CROSS MAIN FOR FIRE SPRINKLER RISER # 2.
- 20 CROSS MAIN FOR FIRE SPRINKLER RISER # 1.
- 21 SLEEVE THRU WALL.
- 22 INSTALL ELECTRIC UNIT HEATER AS HIGH AS POSSIBLE.
- 23 PROVIDE 24"x 24" LOUVER AS HIGH AS POSSIBLE WITH MOTORIZED DAMPER INTERLOCK FAN AND DAMPER OPERATION WITH WALL MOUNTED LINE VOLTAGE THERMOSTAT.
- 24 PROVIDE 24"x 24" LOUVER AS HIGH AS POSSIBLE WITH AUTOMATIC CONTROL DAMPER. INTERLOCK DAMPER OPERATION WITH EXHAUST FAN.
- 25 ALL ABOVE GRADE STORM DRAINAGE PIPING AND FLOOR DRAIN BODIES TO BE HEAT TRACED TO PREVENT FREEZING.
- 26 40/30 GARAGE EXHAUST DUCT TO BE SUPPORTED FROM STRUCTURE.
- 27 GARAGE EXHAUST FAN TO BE INSTALLED ON CONCRETE PAD.
- 28 MECHANICAL CONTRACTOR TO PROVIDE HEAT TRACE FOR ROOF GUTTER AT LEVEL 5 AND GUTTER DOWN SPOUT FROM LEVEL 5 TO LEVEL 2. REFER TO ARCHITECTURAL PLANS FOR EXACT GUTTER AND DOWN SPOUT SIZES AND LOCATIONS.
- 29 FIRE SPRINKLER RISER #1 RISES THROUGH ROOF ALONG BLDG. EXTERIOR TO SERVE LEVEL 3.
- 30 DRY STANDPIPE. FOR CONTINUATION, SEE PLUMBING FLOOR PLAN LEVEL 1.
- 31 DRUM DRIP DRAIN VALVE



Bogue Building
730 Pacific Avenue
Salt Lake City
Utah 84104
801.521.6186 tel
801.539.1916 fax
www.ffkr.com

CHINA BRIDGE PARKING EXPANSION
Park City UT
CONSTRUCTION DOCUMENTS

SCALE

DATE	STATUS
03.23.05	100%
11.22.05	RE-ISSUE

PROJECT NUMBER	4067
CAD/DWG FILE	
DRAWN BY	GR
CHECKED BY	

SCALE	1/16" = 1'-0"
PROJECT NUMBER	4067
CAD/DWG FILE	
DRAWN BY	GR
CHECKED BY	
SCALE	1/16" = 1'-0"
PROJECT NUMBER	4067
CAD/DWG FILE	
DRAWN BY	GR
CHECKED BY	
SCALE	1/16" = 1'-0"
PROJECT NUMBER	4067
CAD/DWG FILE	
DRAWN BY	GR
CHECKED BY	

This document is provided for the contractors convenience only. The DESIGN PROFESSIONAL cannot assure its accuracy or installation and thus is not responsible for the accuracy of this drawing or for any errors or omissions which may have been incorporated into it as a result. Those relying on this document are advised to obtain independent verification of its accuracy before applying it for any purpose. Those relying on this document are using it at their own risk. This drawing cannot be used for any other project nor can it be transferred in any form to any other parties.

RECORD SET

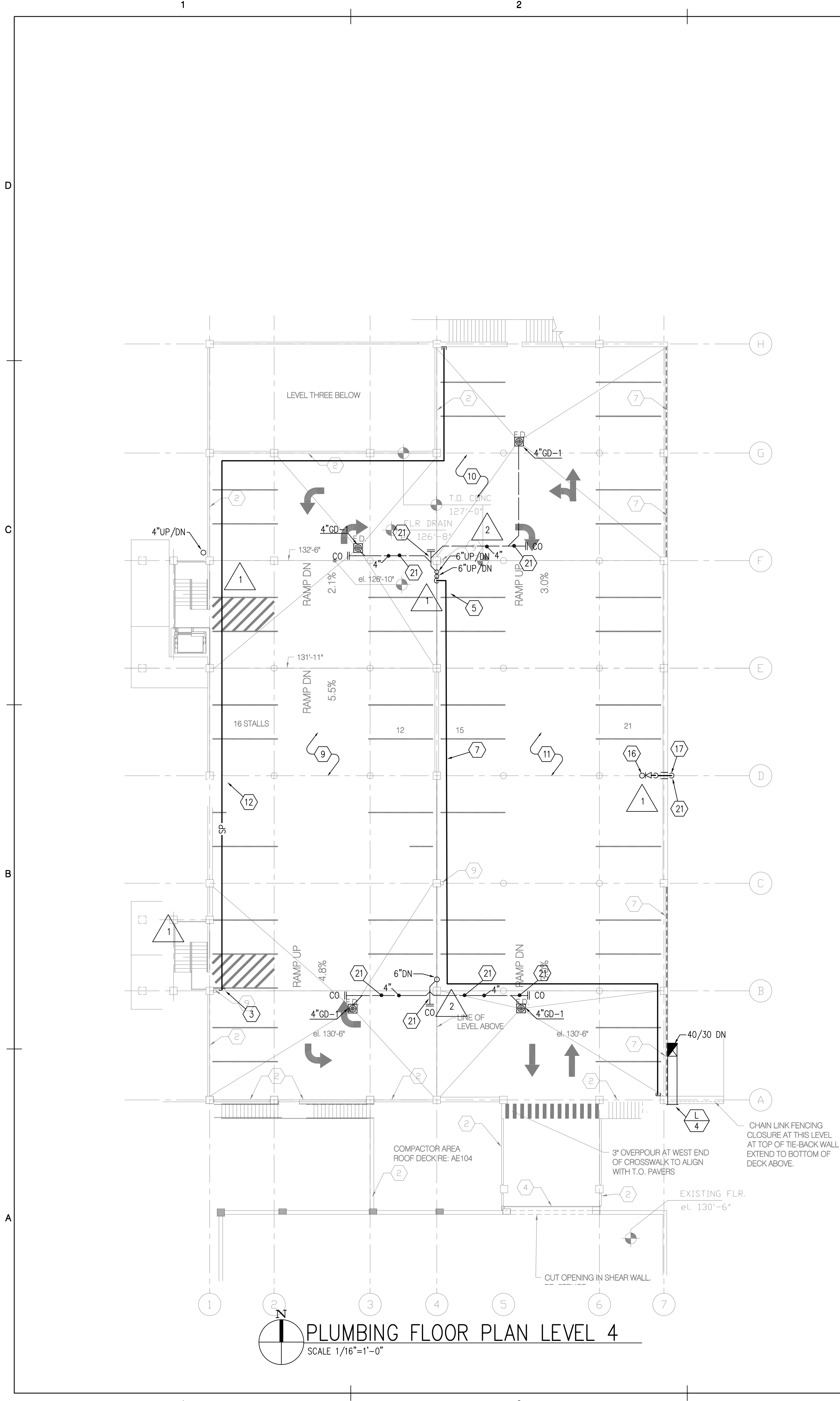
VAN BOERUM & FRANK ASSOCIATES INC.
CONSULTING ENGINEERS

230 South 200 East
Salt Lake City, UT 84111
801.530.3148 T
801.530.3150 F

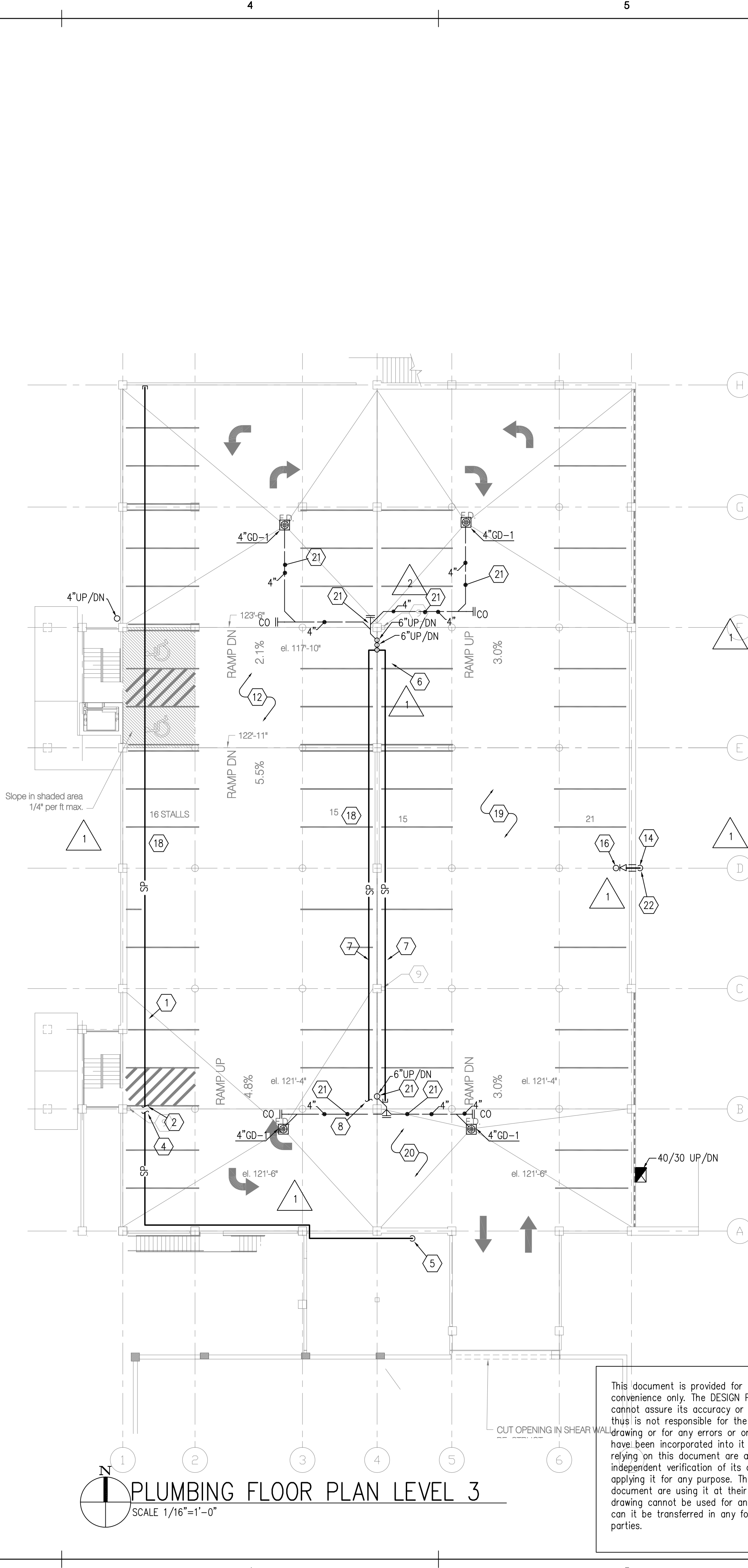
1620 W Fountainhead Pkwy
Tropic, AZ 85325
480.899.5075 T
480.899.5076 F

1704 W Sunset Blvd #3
St. George, UT 84770
435.674.2708 T
435.674.4800 F

PLUMBING PARKING LEVEL 1 & 2
PA2.01



PLUMBING FLOOR PLAN LEVEL 4
SCALE 1/16"=1'-0"



PLUMBING FLOOR PLAN LEVEL 3
SCALE 1/16"=1'-0"

KEYED NOTES

- 1 CROSS MAIN FOR FIRE SPRINKLER RISER # 1.
- 2 CROSS MAIN FOR FIRE SPRINKLER RISER # 1. FOR CONTINUATION, SEE PLUMBING FLOOR PLAN LEVEL 2.
- 3 CROSS MAIN FOR FIRE SPRINKLER RISER # 1. FOR CONTINUATION, SEE PLUMBING FLOOR PLAN LEVEL 3.
- 4 CROSS MAIN FOR FIRE SPRINKLER RISER # 1. FOR CONTINUATION, SEE PLUMBING FLOOR PLAN LEVEL 4.
- 5 DRY SPRINKLER MAIN FROM FLOOR BELOW.
- 6 DRY SPRINKLER MAIN TO FLOOR ABOVE.
- 7 CROSS MAIN FOR FIRE SPRINKLER RISER # 2.
- 8 CROSS MAIN FOR FIRE SPRINKLER RISER # 2. FOR CONTINUATION, SEE PLUMBING FLOOR PLAN LEVEL 2.
- 9 AREA SERVED BY FIRE SPRINKLER RISER #1 - FROM GRID A TO GRID G.
- 10 AREA SERVED BY FIRE SPRINKLER RISER #1 - FROM GRID F TO GRID H.
- 11 AREA SERVED BY FIRE SPRINKLER RISER #2 - FROM GRID A TO GRID F.
- 12 AREA SERVED BY FIRE SPRINKLER RISER #1 - FROM GRID A TO GRID H.
- 13 DRY STANDPIPE DOWN TO FLOOR BELOW AND UP TO FLOOR ABOVE.
- 14 DRY STANDPIPE FROM FLOOR BELOW AND UP TO FLOOR ABOVE.
- 15 HOSE VALVE. HOLD VALVE IN AREA OF WALL FACE.
- 16 HOSE VALVE - INSTALL BOLARDS TO PROTECT.
- 17 DRY STANDPIPE FROM FLOOR BELOW.
- 18 SLOPE PIPE IN RISER #1 & #2 SYSTEMS TO DRAIN BACK TO RISERS, TYPICAL.
- 19 AREA SERVED BY FIRE SPRINKLER RISER #2 - FROM GRID B TO GRID F.
- 20 AREA SERVED BY FIRE SPRINKLER RISER #1 - FROM GRID A TO GRID B.
- 21 ALL ABOVE GRADE STORM DRAINAGE PIPING AND FLOOR DRAIN BOWLS TO BE HEAT TRACED TO PREVENT FREEZING, TYPICAL.
- 22 SLEEVE THROUGH WALL.

This document is provided for the contractors convenience only. The DESIGN PROFESSIONAL cannot assure its accuracy or installation and thus is not responsible for the accuracy of this drawing or for any errors or omissions which may have been incorporated into it as a result. Those relying on this document are advised to obtain independent verification of its accuracy before applying it for any purpose. Those relying on this document are using it at their own risk. This drawing cannot be used for any other project nor can it be transferred in any form to any other parties.

RECORD SET
VAN BOERUM & FRANK ASSOCIATES INC.
 CONSULTING ENGINEERS
 330 South 200 East
 Salt Lake City, UT 84111
 801.530.3148 T
 801.530.3150 F
 1620 W Fountainhead Pkwy
 Temple, AZ 85282
 480.889.5875 T
 480.889.5876 F
 1704 W Sunset Blvd #3
 St. George, UT 84770
 435.674.2708 T
 435.674.4800 F



Bogue Building
 730 Pacific Avenue
 Salt Lake City
 Utah 84104
 801.521.6186 tel
 801.539.1916 fax
 www.ffkr.com

CHINA BRIDGE PARKING EXPANSION
 Park City UT
 CONSTRUCTION DOCUMENTS

DATE	STATUS
03.23.05	100%
11.22.05	RE-ISSUE

PROJECT NUMBER	4067
CAD DWG FILE	
DRAWN BY	GR
CHECKED BY	

SCALE 1/16" = 1'-0"
PLUMBING PARKING LEVEL 3 & 4
 PA2.02

1 2 3 4 5

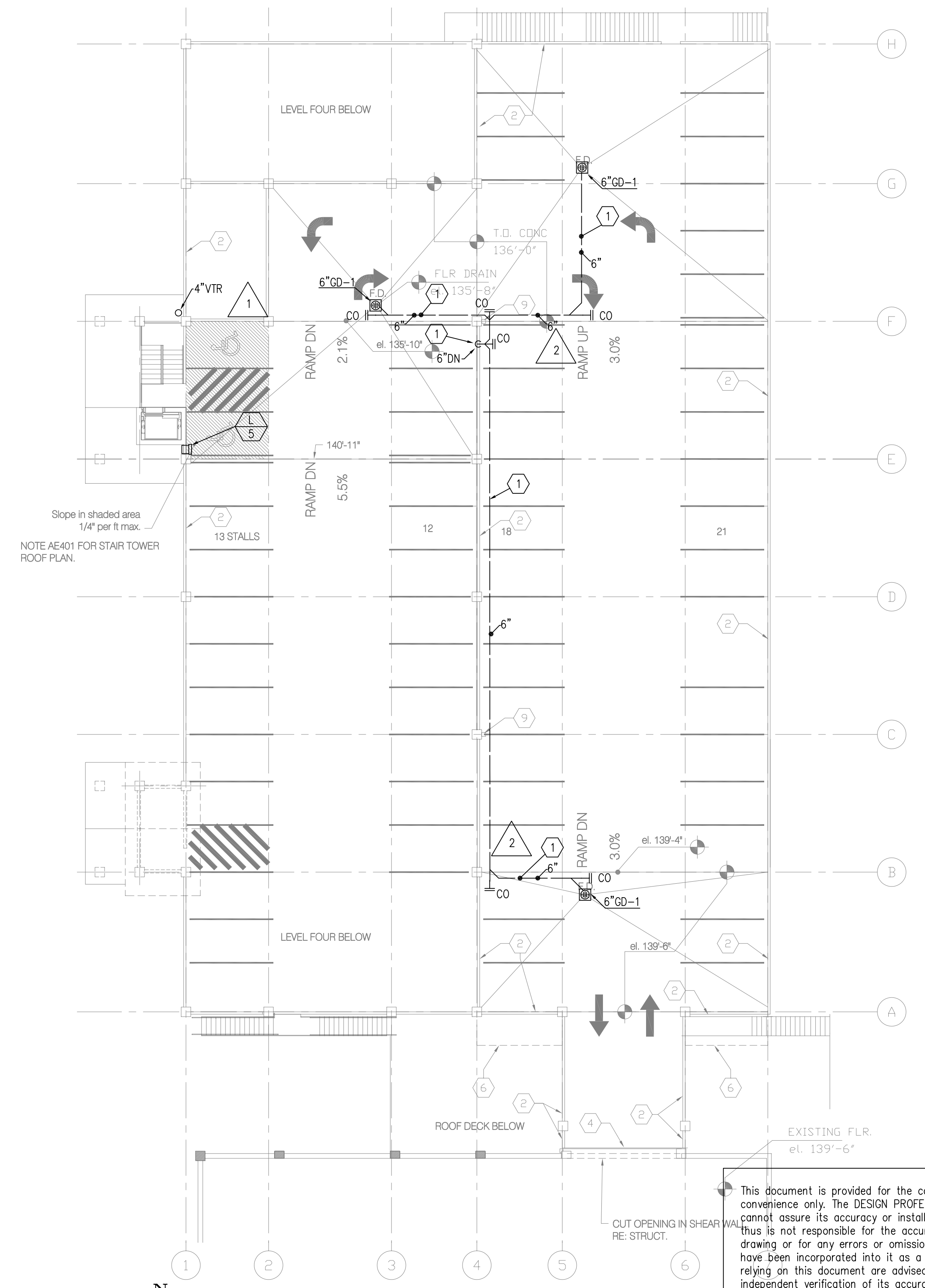
D
C
B
A

KEYED NOTES

1 ALL ABOVE GRADE STORM DRAINAGE PIPING AND FLOOR DRAIN BOWLS TO BE HEAT TRACED TO PREVENT FREEZING.



Bogue Building
730 Pacific Avenue
Salt Lake City
Utah 84104
801.521.6186 tel
801.539.1916 fax
www.ffkr.com



Slope in shaded area 1/4\"/>

NOTE AE401 FOR STAIR TOWER ROOF PLAN.

PLUMBING FLOOR PLAN LEVEL 5
SCALE 1/16\"/>

This document is provided for the contractors convenience only. The DESIGN PROFESSIONAL cannot assure its accuracy or installation and thus is not responsible for the accuracy of this drawing or for any errors or omissions which may have been incorporated into it as a result. Those relying on this document are advised to obtain independent verification of its accuracy before applying it for any purpose. Those relying on this document are using it at their own risk. This drawing cannot be used for any other project nor can it be transferred in any form to any other parties.

RECORD SET

VAN BOERUM & FRANK ASSOCIATES INC.
CONSULTING ENGINEERS
339 South 200 East
Salt Lake City, UT 84111
801.530.3148 T
801.530.3150 F
1620 W Fountainhead Pkwy
Tropic, AZ 85322
480.889.5875 T
480.889.5876 F
1704 W Sunset Blvd #3
St. George, UT 84770
435.674.2708 T
435.674.4800 F

CHINA BRIDGE PARKING EXPANSION
Park City, UT
CONSTRUCTION DOCUMENTS

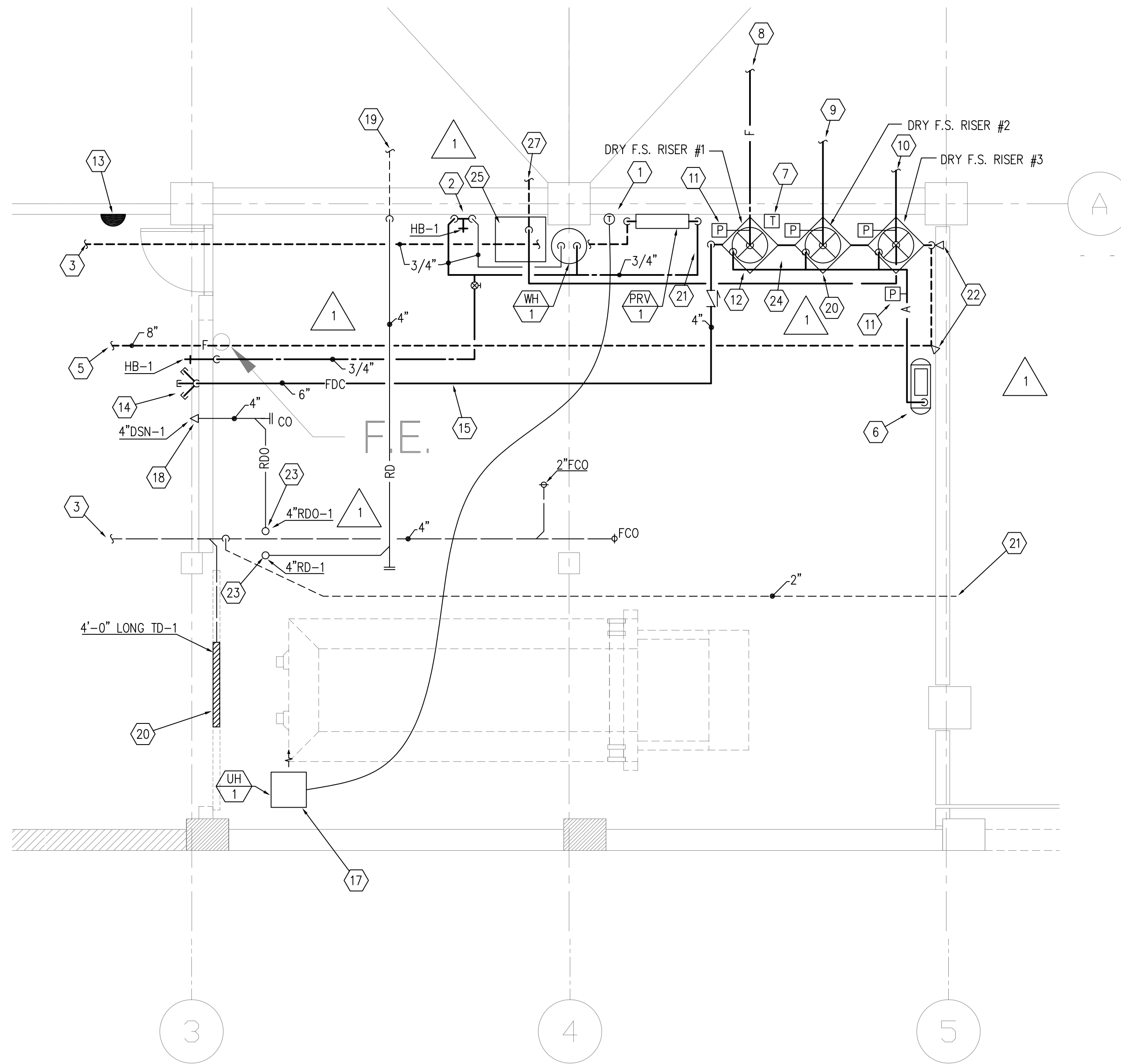
DATE	STATUS
03.23.05	100%
11.22.05	RE-ISSUE
PROJECT NUMBER	4067
CAD/DWG FILE	
DRAWN BY	GR
CHECKED BY	

SCALE 1/16\"/>

1 2 3 4 5

KEYED NOTES

- 1 INTERLOCK CONTROL OF UNIT HEATERS TO ONE THERMOSTAT.
- 2 MOUNT HOSE BIBB 4'-0" ABOVE FINISHED FLOOR.
- 3 SEE SITE PLAN FOR CONTINUATION.
- 4 NOT USED.
- 5 WATER MAIN. SEE SITE UTILITIES PLAN FOR CONTINUATION. LINE FROM EXTERIOR.
- 6 AIR COMPRESSOR FOR DRY SPRINKLER SYSTEMS.
- 7 TEMPERATURE SENSOR TO FIRE ALARM PANEL.
- 8 TO DRY FIRE SPRINKLER SYSTEM # 1.
- 9 TO DRY FIRE SPRINKLER SYSTEM # 2.
- 10 TO DRY FIRE SPRINKLER SYSTEM # 3.
- 11 LOW AIR PRESSURE ALARM.
- 12 AIR SUPPLY TO DRY FIRE SPRINKLER SYSTEM, TYPICAL.
- 13 ELECTRIC BELL FOR FLOW ALARM.
- 14 THREE-WAY FIRE DEPARTMENT CONNECTION.
- 15 LINE FROM FDC. EXTEND TO DSP AND SPRINKLER MANIFOLD.
- 16 2" VENT TO PENETRATE EAST WALL AS HIGH AS POSSIBLE.
- 17 INSTALL UNIT HEATER AS HIGH AS POSSIBLE. FIELD COORDINATE EXACT INSTALLATION LOCATION WITH COMPACTOR.
- 18 SEE ARCHITECTURAL ELEVATIONS FOR EXACT INSTALLATION LOCATION.
- 19 SEE SHEET PA2.01 FOR CONTINUATION.
- 20 INTERLOCK FIRE RISER WITH PARKING GARAGE COILING DOORS.
- 21 MECHANICAL CONTRACTOR SHALL ALSO PROVIDE A 1 1/2" TEE, SHUTOFF, VALVE, AND BACKFLOW FOR CONNECTION TO THE IRRIGATION SYSTEM.
- 22 CONCRETE THRUST BLOCK PER NFPA 24 PROVIDE MEGA-LUG AT ALL FITTINGS.
- 23 REFER TO ARCHITECTURAL PLANS FOR EXACT ROOF DRAIN LOCATIONS.
- 24 FIRE PROTECTION CONTRACTOR TO PROVIDE HEAT TRACE ON ALL WET FIRE PROTECTION PIPING AND RISERS.
- 25 2'X 2'X 4' PRECAST CATCH BASIN W/ GRATE FLUSH WITH FLOOR. 2" WEEP HOLE AT BOTTOM. CUT GRATE FOR PIPING CORE DRILL WALLS FOR PIPING EXTENDING TO OTHER SPACES.
- 26 NOT USED.
- 27 CROSS MAIN FOR SPRINKLER RISER #3 DROPS TO LEVEL 1 CLG THROUGH CATCH BASIN. FOR CONTINUATION. SEE PLUMBING FLOOR PLAN LEVEL 1.



PLUMBING ENLARGED PLAN LEVEL 1
 SCALE 1/4"=1'-0"

This document is provided for the contractors convenience only. The DESIGN PROFESSIONAL cannot assure its accuracy or installation and thus is not responsible for the accuracy of this drawing or for any errors or omissions which may have been incorporated into it as a result. Those relying on this document are advised to obtain independent verification of its accuracy before applying it for any purpose. Those relying on this document are using it at their own risk. This drawing cannot be used for any other project nor can it be transferred in any form to any other parties.

RECORD SET

VAN BOERUM & FRANK ASSOCIATES INC.
CONSULTING ENGINEERS

330 South 200 East
 Salt Lake City, UT 84111
 801.520.3148 T
 801.520.3150 F

 1620 W Fountainhead Pkwy
 Temple, AZ 85282
 480.889.5875 T
 480.889.5876 F

 1704 W Sunset Blvd #3
 St. George, UT 84770
 435.674.2718 T
 435.674.4800 F

CHINA BRIDGE PARKING EXPANSION
 Park City UT
CONSTRUCTION DOCUMENTS



Bogue Building
 730 Pacific Avenue
 Salt Lake City
 Utah 84104
 801.521.6186 tel
 801.539.1916 fax
 www.ffkr.com

DATE	STATUS
03.23.05	100%
11.22.05	RE-ISSUE

PROJECT NUMBER	4067
CAO DWG FILE	
DRAWN BY	GR
CHECKED BY	

SCALE	1/4" = 1'-0"
-------	--------------

PLUMBING ENLARGED PLAN

PA4.01

PLUMBING FIXTURE SCHEDULE						
SYMBOL	FIXTURE	CW (IN)	HW (IN)	W (IN)	V (IN)	REMARKS
HB-1	HOSE BIB	3/4	3/4	--	--	HOT AND COLD MIXING HOSE BIBB
GD-1	GARAGE DRAIN	--	--	--	--	SEE PLANS FOR SIZE
TD-1	TRENCH DRAIN	--	--	4	2	SEE PLANS FOR LENGTH

* MINIMUM UNDERGROUND PIPING SIZE TO BE 2".

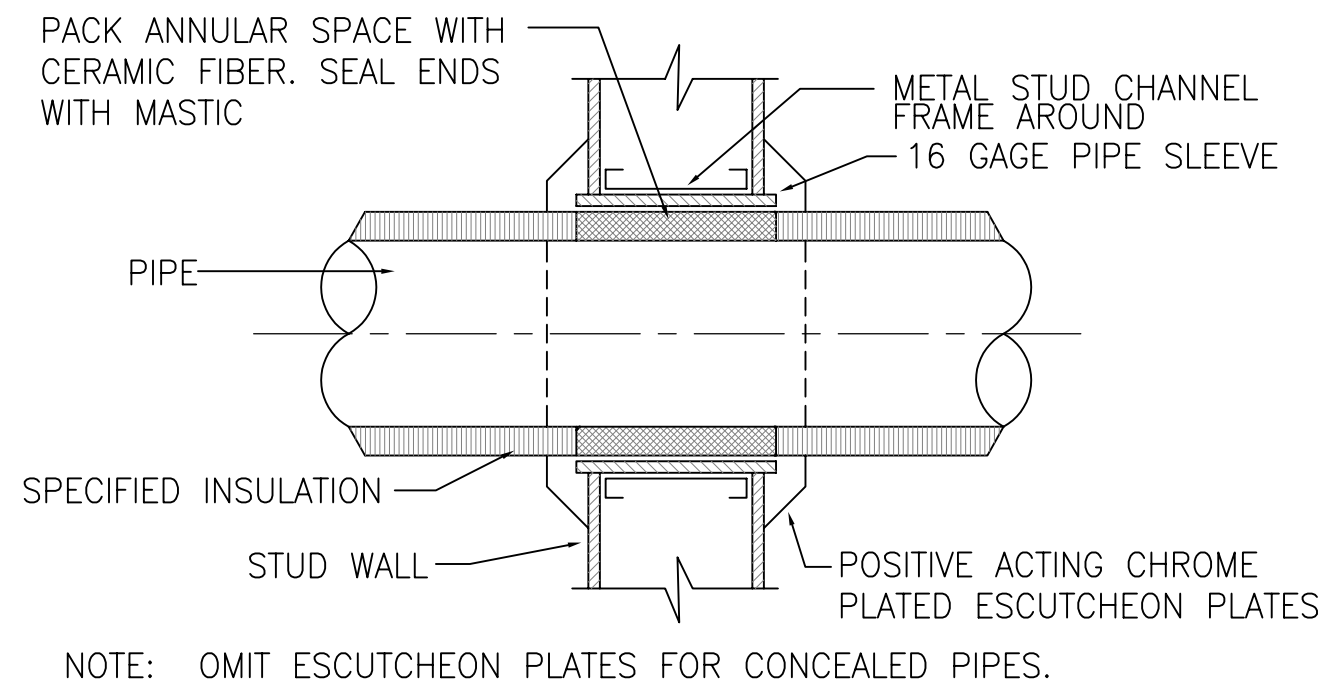
WATER HEATER SCHEDULE											
SYMBOL	MANUF. AND MODEL NO.	LOCATION	SERVICE	TYPE	ENTERING WATER TEMP (°F)	LEAVING WATER TEMP (°F)	STORAGE CAPACITY (GAL)	POWER INPUT (WATTS)	HEIGHT/DIA. (IN)	ELECTRICAL	
										V/PH	REMARKS
WH-1	A.O. SMITH DEN-30	MECHANICAL ROOM	DOMESTIC WATER	ELECTRIC	40	120	30	12,000	35/20	208/1	

DOMESTIC PRV SCHEDULE									
SYMBOL	MANUF. AND MODEL NO.	LOCATION	SERVICE	TYPE	CAPACITY (GPM)	INLET PRESSURE (PSIG)	OUTLET PRESSURE (PSIG)	SIZE (IN)	REMARKS
PRV-1	WATTS SERIES U-5	COMP. RM.	DOMESTIC COLD WATER	DIRECT ACTING	10		75	1/2	1

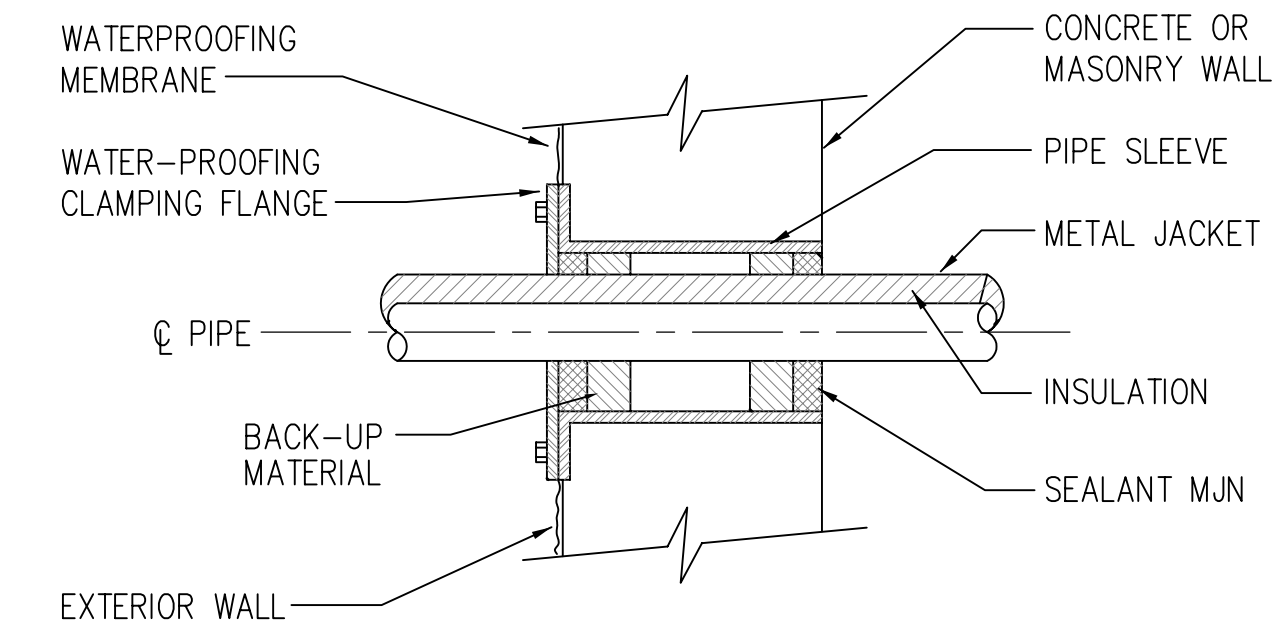
1. PRV SIZED FOR TOTAL SYSTEM CAPACITY.

EXHAUST FAN SCHEDULE														
SYMBOL	MANUF. AND MODEL NO.	LOCATION	SERVICE	FAN					MOTOR					
				TOTAL AIR FLOW RATE (CFM)	TOT. STAT. PRESSURE DROP (IN H2O)	OUTLET VELOCITY (FPM)	FAN SPEED (RPM)	FAN WHEEL DIAMETER (IN)	% EFF.	BHP	HP	MOTOR SPEED (RPM)	VOLT/PH	REMARKS
EF-1	COOK 220CPFB	LEVEL 2	GARAGE EX	12,000	0.75	4210	655	22	21.0	6.82	7.50	1750	460/3	1

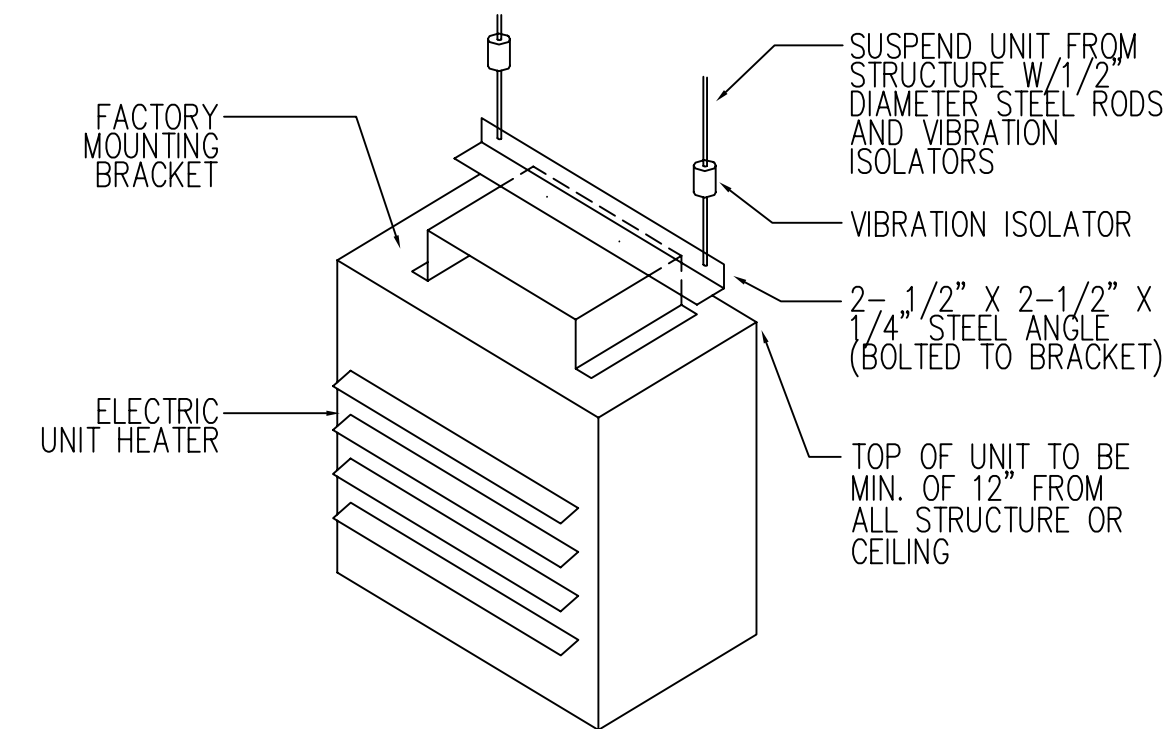
1. PROVIDE WITH VIBRATION ISOLATORS, FLEX CONNECTORS AT INLET AND OUTLET, AND MOUNTING CUR!



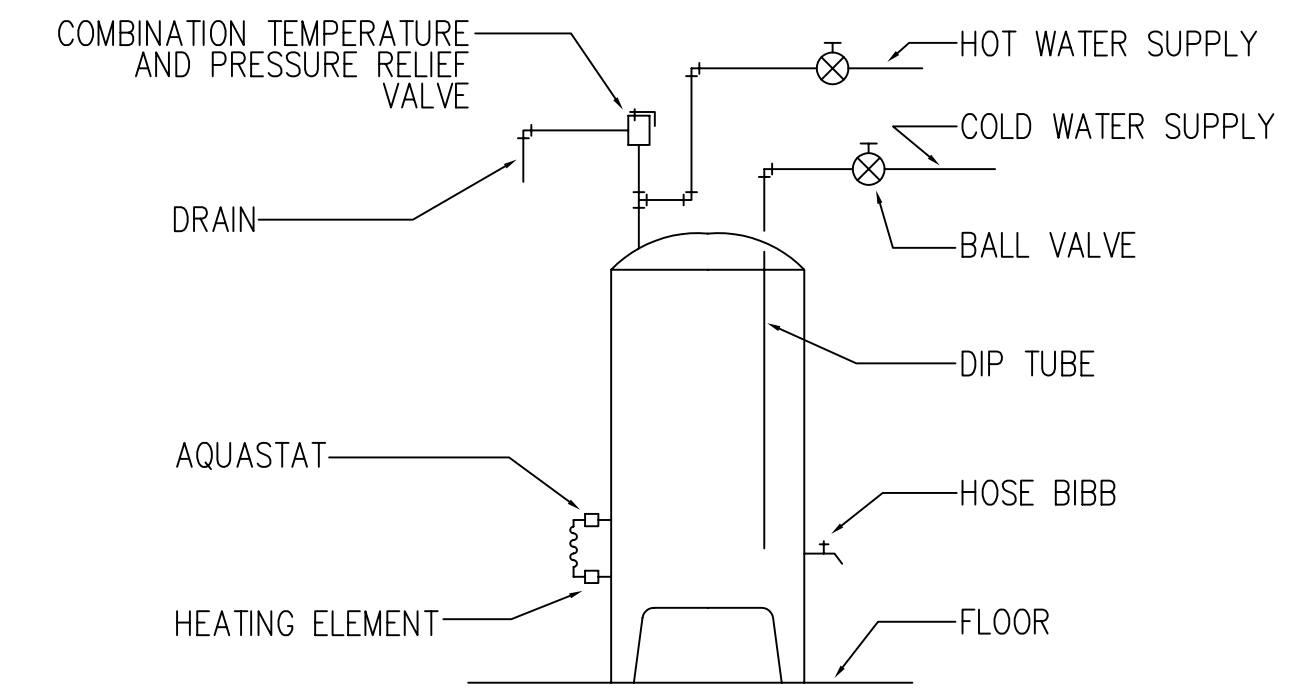
4 PIPE THROUGH STUD WALL DETAIL
NO SCALE



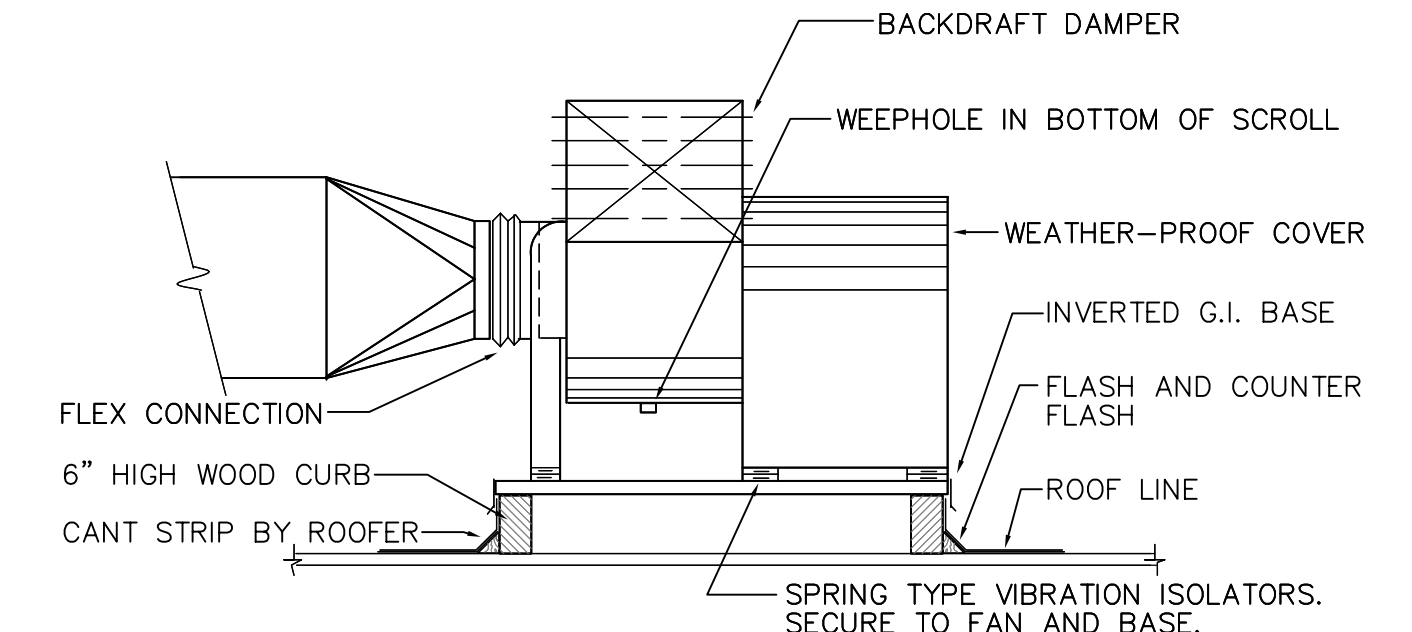
5 PIPE SLEEVE THRU EXTERIOR WALL OR FOUNDATION WALL (BELOW GRADE)
NO SCALE



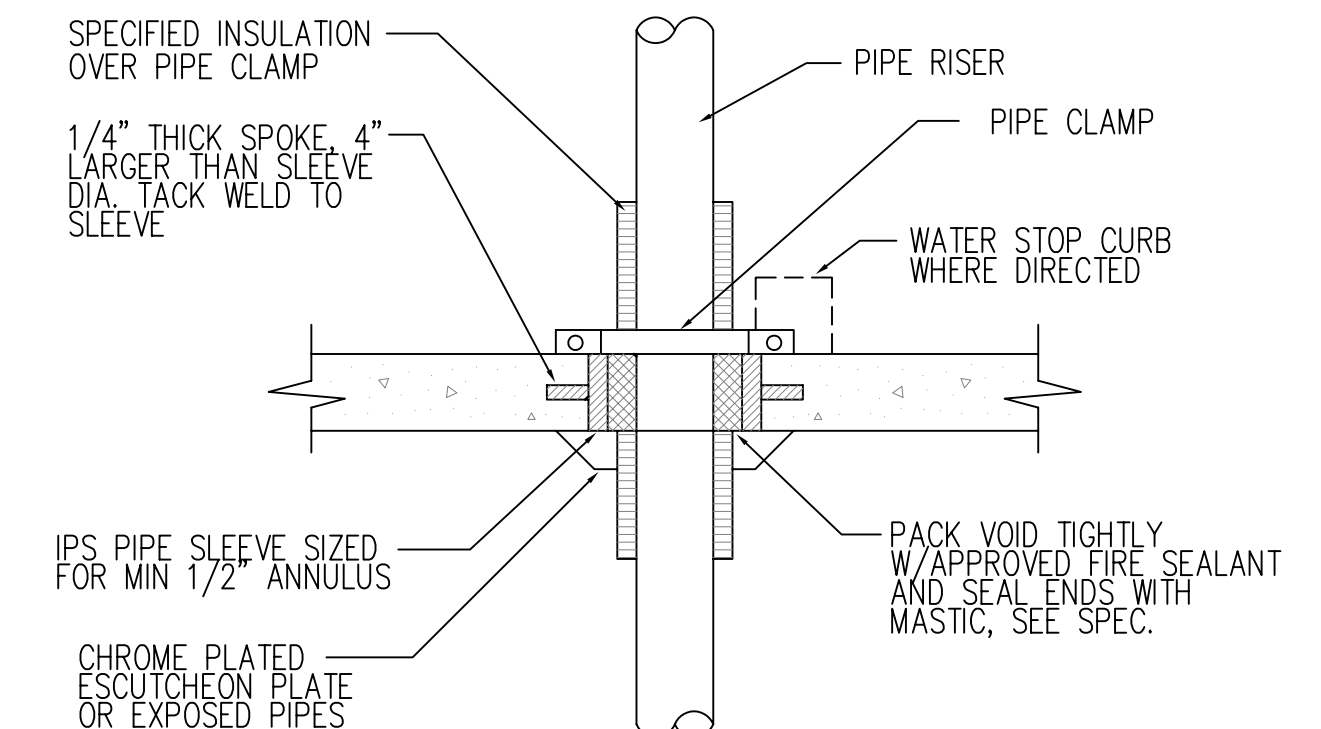
6 ELECTRIC UNIT HEATER MOUNTING DETAIL
NO SCALE



1 ELECTRIC WATER HEATER DETAIL
NO SCALE



2 UTILITY EXHAUST FAN DETAIL
NO SCALE



3 PIPE THROUGH FLOOR SLAB DETAIL
NO SCALE

This document is provided for the contractors convenience only. The DESIGN PROFESSIONAL cannot assure its accuracy or installation and thus is not responsible for the accuracy of this drawing or for any errors or omissions which may have been incorporated into it as a result. Those relying on this document are advised to obtain independent verification of its accuracy before applying it for any purpose. Those relying on this document are using it at their own risk. This drawing cannot be used for any other project nor can it be transferred in any form to any other parties.

RECORD SET

VAN BOERUM & FRANK ASSOCIATES INC.
CONSULTING ENGINEERS

330 South 200 East
Salt Lake City, UT 84111
801.520.3148 T
801.520.3150 F

1620 W Foothillhead Pkwy
Tampa, AZ 85502
408.889.5875 T
408.889.5876 F

1704 W Sunset Blvd #3
St. George, UT 84770
435.674.2718 T
435.674.4800 F



Bogue Building
730 Pacific Avenue
Salt Lake City
Utah 84104
801.521.6186 tel
801.539.1916 fax
www.ffkr.com

CHINA BRIDGE PARKING EXPANSION
Park City UT
CONSTRUCTION DOCUMENTS

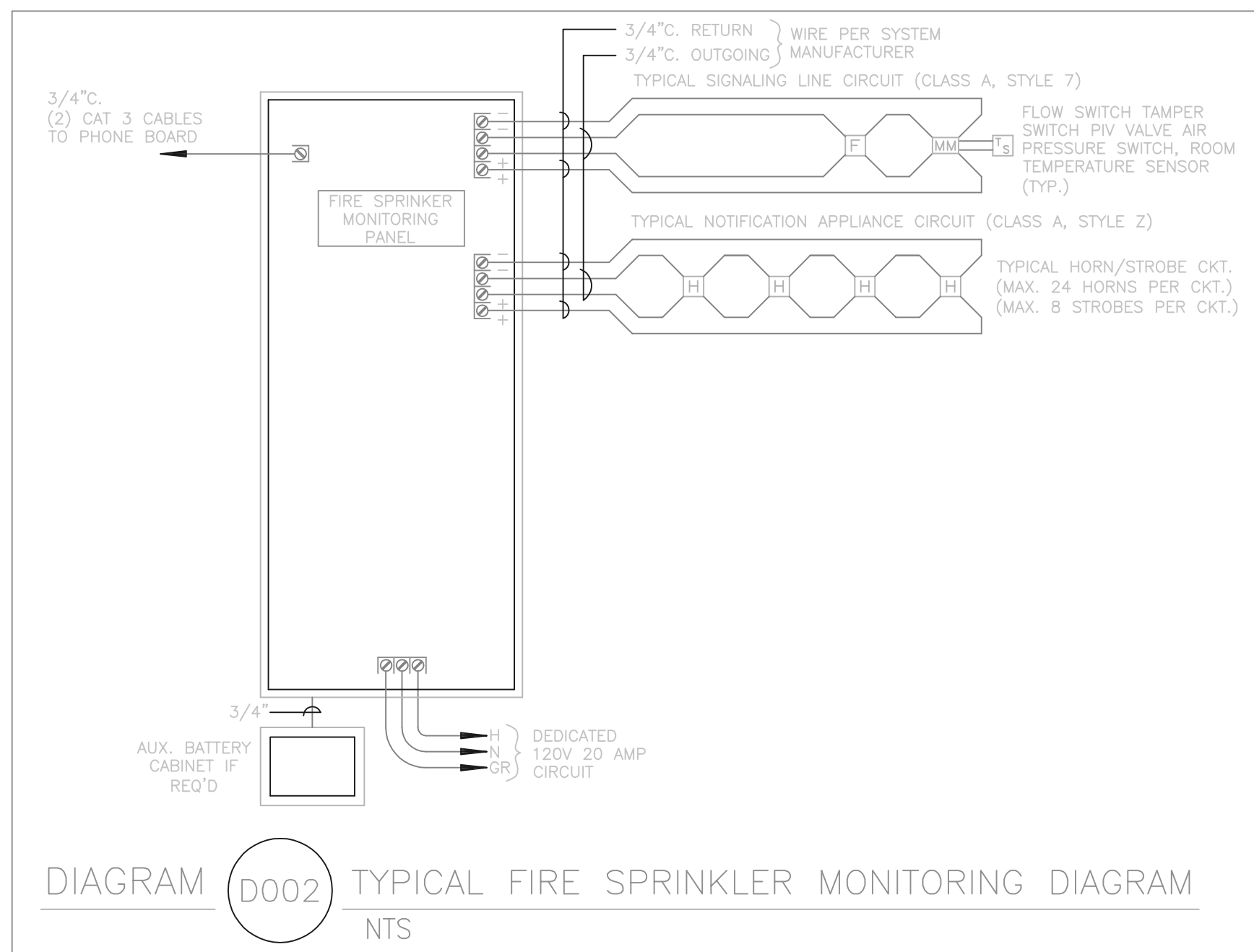
DATE	STATUS
03.23.05	100%
11.22.05	RE-ISSUE

PROJECT NUMBER	4067
CAO DWG FILE	
DRAWN BY	GR
CHECKED BY	

SCALE NOT TO SCALE

PLUMBING SCHEDULES AND DETAILS

PA5.01



SHEET KEYNOTES

1. COORDINATE POLE HEIGHT WITH BASE HEIGHT IN ORDER NOT TO EXCEED 20' TOTAL HEIGHT ABOVE FINISHED FLOOR.

EQUIPMENT SCHEDULE

UNIT #	FUNCTION	LOAD	VOLT	PHASE	FULL LOAD AMPS	CONDUIT SIZE	NO. SETS	WIRES		OCPD		REF. NOTES		REMARKS
								NO.	SIZE	TYPE	AMPS	STARTER	DISCONNECT	
AC-1	AIR COMPRESSOR	1.5 HP	208	3	6.60	3/4"	1	3	12	CB	20		2A	
BB-1	ELECTRIC HEATER	2 KW	208	3	6.53	3/4"	1	3	12	CB	20		2A	
EF-1	EXHAUST FAN	7.5 HP	208	3	24.20	3/4"	1	3	8	CB	50	7A	7A	
EF-2	EXHAUST FAN	25 HP	120	1	5.80	3/4"	1	2	12	CB	20		4A	
EL-1	ELEVATOR	25 HP	208	3	113.00	1-1/2"	1	3	1/0	CB	200		2A	
TC-1	TRASH COMPACTOR	10 HP	208	3	30.80	1"	1	3	4	CB	60	5 EX 2A EX		
UH-1	UNIT HEATER	9 KW	208	3	29.39	3/4"	1	3	8	CB	40	7A	7A	
WH-1	WATER HEATER	12 KW	208	1	58.00	1"	1	2	3	CB	80		2A	

NOTES:

- NON-FUSED DISCONNECT SWITCH
- FUSED DISCONNECT SWITCH
- BREAKER IN ENCLOSURE
- MANUAL STARTER W/THERMAL OVERLOAD
- MAGNETIC STARTER
- MAGNETIC STARTER/NON-FUSED DISCONNECT COMBINATION
- MAGNETIC STARTER/FUSED DISCONNECT COMBINATION
- MAGNETIC STARTER/BREAKER COMBINATION
- VARIABLE FREQUENCY DRIVE
- REDUCED VOLTAGE STARTER
- DIRECT CONNECTION
- RECEPTACLE/SPECIAL PURPOSE OUTLET/ETC.
- TWO-SPEED STARTER, COORDINATE W/MOTOR TYPE

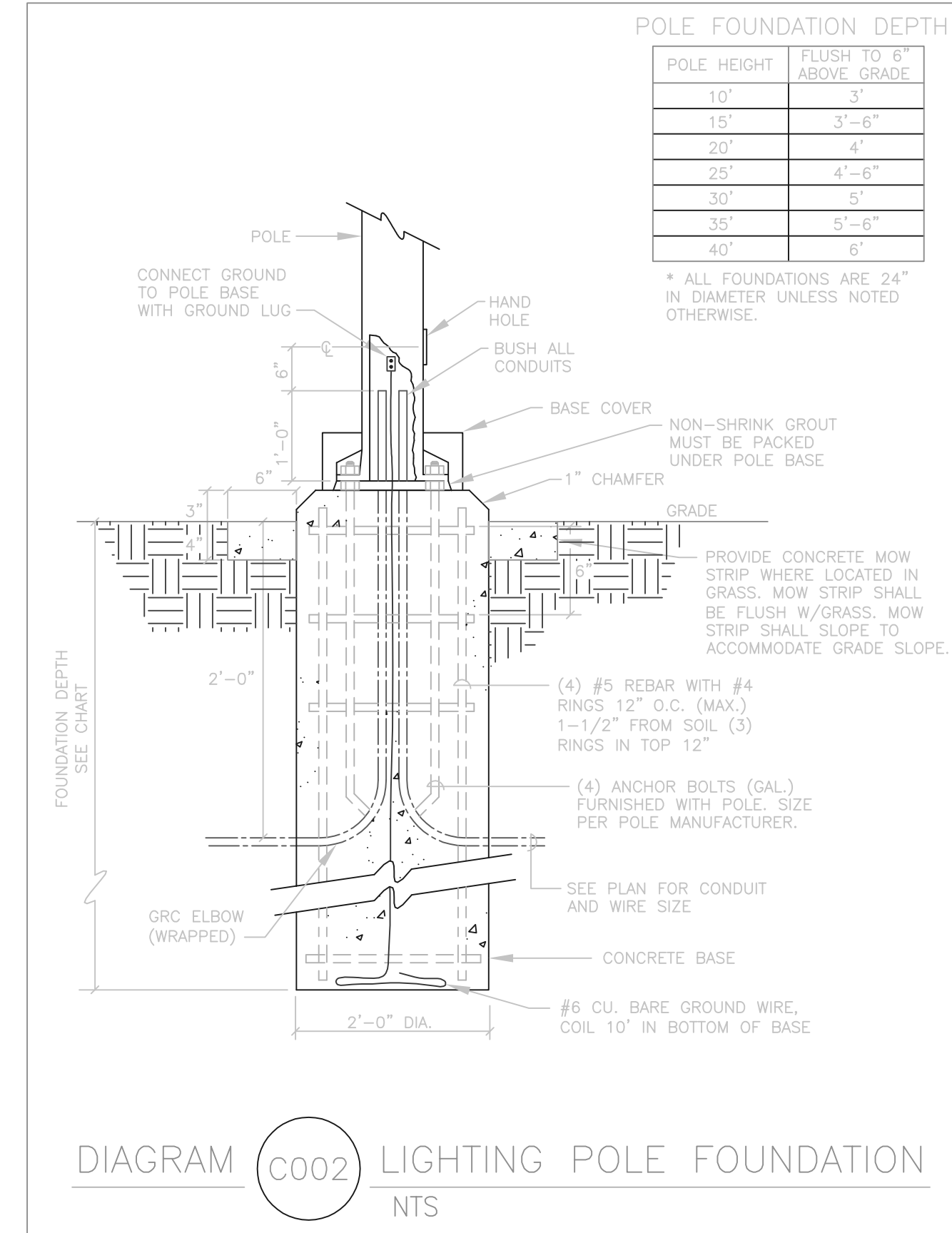
A. FURNISHED, INSTALLED, AND CONNECTED UNDER DIVISION 16
B. FURNISHED AND INSTALLED UNDER ANOTHER DIVISION REQUIRING CONNECTION UNDER DIVISION 16.
C. FURNISHED UNDER ANOTHER DIVISION BUT INSTALLED AND CONNECTED UNDER DIVISION 16.
D. FURNISHED, INSTALLED AND CONNECTED UNDER ANOTHER DIVISION.

OVER CURRENT PROTECTIVE DEVICES

CB = CIRCUIT BREAKER - THERMAL MAGNETIC
FN = FUSE - NON INDUCTIVE LOAD
FI = FUSE - INDUCTIVE LOAD
MO = MAGNETIC ONLY CIRCUIT BREAKER

FIXTURE SCHEDULE

TYPE	DESCRIPTION	CATALOG NUMBER	VOLTS	LAMPS
A	SURFACE SPEED MOUNT PARKING GARAGE FIXTURE WITH CAGE; NO LOUVERS 150 WATT HPS	KIM PGL-150HPS208-DF CONTRACTOR'S ALLOWANCE FIXTURE \$411.23	208	(1) 150 HPS ED17 MED BASE
A2	SURFACE SPEED MOUNT PARKING GARAGE FIXTURE WITH CAGE; 2 LOUVERS THAT COVER 1/2 THE FIXTURE 150 WATT HPS	KIM PGL-150HPS208-DF (2) KIM LM CONTRACTOR'S ALLOWANCE; FIXTURE AND 2 LOUVERS: \$455.68;	208	(1) 150 HPS ED17 MED BASE
A3	SURFACE SPEED MOUNT PARKING GARAGE FIXTURE WITH CAGE; 3 LOUVERS THAT COVER 3/4 OF THE FIXTURE	KIM PGL-150HPS208-DF (3) KIM LM CONTRACTOR'S ALLOWANCE; FIXTURE AND 3 LOUVERS: \$477.90	208	(1) 150 HPS ED17 MED BASE
A4	SURFACE SPEED MOUNT PARKING GARAGE FIXTURE WITH CAGE; 4 LOUVERS THAT COVERS ALL OF THE FIXTURE	KIM PGL-150HPS208-DF (4) KIM LM CONTRACTOR'S ALLOWANCE; FIXTURE AND 4 LOUVERS \$500.12	208	(1) 150 HPS ED17 MED BASE
A5	WALL MOUNT PARKING GARAGE FIXTURE WITH CAGE; 4 LOUVERS THAT COVERS ALL OF THE FIXTURE	KIM PGL-150HPS208-DF-WB (4) KIM LM CONTRACTOR'S ALLOWANCE FIXTURE, 4 LOUVERS, WALL BRACKET \$607.12	208	(1) 150 HPS ED17 MED BASE
B	4' INDUSTRIAL WITH UPLIGHT (2) 60 WATT HO LAMPS; -20 DEGREE BALLAST	LITHONIA EIDA-2-48HO-120-CW20	120	(2) F48T12/D830/HO
C	ELEVATOR PIT LIGHT	RAL CVPH-26F-12-G-G-W	120	(1) 26W TRT-35K
D	UPLIGHT FLOOD WITH BARN DOORS; SURFACE MOUNT 50 WATT HPS	KIM CFL1-50HPS120-BL-P-BD-CFL/BL-P-J-27N/BL-P	120	(1) 50 WATT HPS ED17 MED BASE
E	EXTERIOR WALL LIGHT TO MATCH TYPE OP-2 50 WATT HPS	HADCO PCT-HFW290-SA-4/03	208	(1) 50W HPS
G	NEMA 4X EMERGENCY LIGHTING UNIT WITH HEATER, THERMOSTAT AND BATTERY BLANKET FOR -40 DEGREE C	LITHONIA INDX1236-SCBA-H1212-ULT	120/12	(2) 12 W PAR 36 INCLUDED
OP-1	20' TALL POLE; 2 FIXTURES AT 180 DEGREES 10' LONG MAST ARM; TYPE V OPTICS 70 WATT HPS	GE SPM-07-S-O-M-1-G-MC3-BL VALMONT DSS02650A170-10S-HH-AB-NC MAST ARM FITTER	208	(2) 70W HPS
OP-2	EXTERIOR DECORATIVE POLE; SINGLE HEAD; ARM MOUNT 12' TALL POLE WITH 3' TALL SLIP FITTER 50 WATT HPS	HADCO PCT-10.5MH-SA-4/03	208	(1) 50 HPS
X	LED EXIT LIGHT; VANDAL RESISTANT DIECAST ALUMINUM; GREEN LETTERS, SCBA COLD WEATHER BATTERY FOR -40 C	LITHONIA LV-S-1-G-120-EL-N-CW	120	LED INCLUDED



ELECTRICAL SYMBOL SCHEDULE

1. SEE FIXTURE SCHEDULE FOR TYPE, MOUNTING AND WATTAGE.
2. HEIGHT MEASURED TO TOP LINE OF THE BOX FROM THE FINISHED FLOOR.
3. REFER TO DRAWINGS FOR DIRECTIONAL ARROWS.
4. SUBSCRIPT KEYS SWITCH TO FIXTURES CONTROLLED.
5. NEMA TYPE 'NO' NON-FUSED UNLESS NOTED 'F' (FUSED). USE 'HD' 480 V.
6. HEIGHT TO BE THE LOWER OF EITHER 80" A.F.F. OR 6" BELOW CEILING.
7. PROVIDE H.O.A. AND S.S. PUSHBUTTONS AS REQUIRED.
8. DOUBLE ARROWS DENOTE A DOUBLE FACE UNIT.
9. COORDINATE WITH SHOP DRAWINGS.
10. SUBSCRIPT DENOTES NEMA CONFIGURATION.
11. HEIGHT MEASURED TO BOTTOM OF THE BOX FROM FINISHED FLOOR.

STANDARD MOUNTING HEIGHT UNLESS OTHERWISE NOTED ON PLANS

SYMBOL	DESCRIPTION	MOUNTING HEIGHT	NOTES
→	ONE CIRCUIT, TWO WIRE HOME RUN TO PANEL		
→→	2 CIRCUIT, 3 WIRE, COMMON NEUTRAL HOME RUN		
→→→	3 CIRCUIT, 4 WIRE, COMMON NEUTRAL HOME RUN		
—	CONDUIT STUB LOCATION	CAP CONDUIT	
○	CEILING LIGHT FIXTURE NO LOUVERS	CEILING	1.
●	CEILING LIGHT FIXTURE 2 LOUVERS	CEILING	1.
●●	CEILING LIGHT FIXTURE 3 LOUVERS	CEILING	1.
●●●	CEILING LIGHT FIXTURE 4 LOUVERS	CEILING	1.
○	WALL LIGHT FIXTURE	AS NOTED	1.
○	RECESSED DOWNLIGHT FIXTURE	CEILING	1.
○	FLUORESCENT LIGHT FIXTURE	AS NOTED	1
○	FLUORESCENT EGRESS LIGHT FIXTURE	AS NOTED	UNSWITCHED
●	AREA LIGHT POLE AND FIXTURE	CONCRETE BASE	SEE DIAGRAM
○	FLOOD OR TRACK FIXTURE	AS NOTED	
⊗	CEILING MOUNTED EXIT LIGHT	CEILING	1.3.B.
⊗	WALL MOUNTED EXIT LIGHT	AS NOTED	1.3.B.
⊗	SINGLE POLE SWITCH	+4'-0"	2.
⊗	DUPLEX RECEPTACLE	+16"	11.
⊗	WEATHERPROOF RECEPTACLE	+24"	2.
⊗	GROUND FAULT INTERRUPTER DUPLEX RECEPTACLE	+16"	9. 11.
⊗	TELEPHONE OUTLET	+16"	11.
⊗	JUNCTION BOX ('F' IN FLOOR)	AS NOTED	
⊗	MOTOR OUTLET	TO SUIT EQUIP.	
⊗	PHOTO-ELECTRIC CONTROL	AS NOTED	TORK 2000A
⊗	TIME CLOCK	+5'-0"	2.
⊗	PUSHBUTTON	+4'-0"	2.
⊗	NON-FUSED DISCONNECT SWITCH	+5'-0"	5.
⊗	FUSED DISCONNECT SWITCH	+5'-0"	5.
⊗	MANUAL STARTER THERMAL OVERLOAD SWITCH WITH PILOT LIGHT	+4'-0"	2.
⊗	MAGNETIC STARTER / DISCONNECT COMBINATION	+5'-0"	
⊗	VARIABLE FREQUENCY DRIVE	+6'-6"	
⊗	PANEL BOARD	TOP AT +6'-0"	
⊗	MAIN DISTRIBUTION PANEL		
⊗	ARCHITECTURAL ROOM NUMBER		
⊗	LIGHT FIXTURE (LETTER DESIGNATES TYPE)		
⊗	EQUIPMENT NUMBER		
⊗	EGRESS LIGHT FIXTURE		

GENERAL NOTES

- CONSULT ARCHITECTURAL REFLECTED CEILING PLANS FOR EXACT LOCATION OF ALL LIGHTING FIXTURES.
- VERIFY ALL EQUIPMENT DIMENSIONS AND LOCATIONS BEFORE BEGINNING ROUGH IN. CONSULT ALL APPLICABLE CONTRACT DRAWINGS AND SHOP DRAWINGS TO INSURE NEC CODE CLEARANCES REQUIRED AROUND ALL ELECTRICAL EQUIPMENT.
- CONTRACTOR SHALL VERIFY ALL ELECTRICAL LOADS (VOLTAGE, PHASE, CONNECTION REQUIREMENTS, ETC) OF EQUIPMENT FURNISHED UNDER DIVISION 15 WITH APPROVED MECHANICAL SHOP DRAWINGS BEFORE BEGINNING ROUGH IN.
- SEE SECTION 16510 OF THE SPECIFICATION REQUIRED COORDINATION MEETINGS WITH MECHANICAL AND CEILING CONTRACTORS.
- SEE APPLICABLE SHOP DRAWINGS FOR ROUGH IN LOCATION OF ALL EQUIPMENT, WIRING DEVICES, ETC. WHERE APPLICABLE MOUNT ALL WIRING DEVICES ABOVE BACK SPLASH EXCEPT THOSE SERVING UNDER COUNTER EQUIPMENT.
- SEE SPECIFICATION FOR ENERGY SAVING LAMP AND BALLAST REQUIREMENTS.
- FINISHES OF ALL LIGHT FIXTURES SHALL BE AS SELECTED BY ARCHITECT.
- THE ELECTRICAL CONTRACTOR SHALL NOTIFY AND COOPERATE WITH THE MECHANICAL CONTRACTOR SUCH THAT NO PIPING, DUCTS, OR EQUIPMENT FOREIGN TO THE OPERATION OF THE ELECTRICAL EQUIPMENT SHALL BE PERMITTED TO BE INSTALLED IN, ENTER OR PASS THRU ELECTRICAL ROOMS OR SPACES, OR ABOVE OR BELOW ELECTRICAL EQUIPMENT IN OTHER AREAS.
- ELECTRICAL BOXES SHALL NOT BE LOCATED IN MASONRY COLUMNS IN BRICK WALLS OR IN GROUTED CELLS ADJACENT TO OPENINGS. COORDINATE LOCATION OF BOXES WITH MASONRY CONTRACTOR.
- ALL PENETRATIONS OF FIRE RATED FLOORS, WALLS, AND CEILINGS SHALL BE SEALED WITH APPROVED MATERIAL TO MAINTAIN FIRE RATINGS OF SURFACE PENETRATED.
- CIRCUITS EXTENDING OVER 70' FOR 120 VOLT AND 165' FOR 277 VOLT 20 AMP CIRCUITS SHALL BE RUN WITH MINIMUM #10 CONDUCTORS.
- CONDUITS MAY NOT BE IMBEDDED IN PT SLAB. PROVIDE CAST IN PLACE ANCHORS FOR ALL CONDUIT AND BOXES.

INDEX OF ELECTRICAL DRAWINGS

EE0.01	SYMBOLS SCHEDULES & NOTES
ES1.01	ELECTRICAL SITE PLAN
EA1.01	ELECTRICAL PLAN, PARKING GARAGE LEVELS 1 & 2
EA1.02	ELECTRICAL PLAN, PARKING GARAGE LEVELS 3 & 4
EA1.03	ELECTRICAL PLAN, PARKING GARAGE LEVEL 5
EA4.01	ONE-LINE DIAGRAM & SCHEDULES

FFKR
Architects

Bogue Building
730 Pacific Avenue
Salt Lake City
Utah 84104

801.521.6186 tel
801.539.1916 fax
www.ffkr.com

BNA CONSULTING
Lighting Design & Electrical Engineering

SALT LAKE ST. GEORGE LAS VEGAS PHOENIX

435 South State Street
Salt Lake City, Utah 84111

PHONE: 522.2196
FAX: 522.2590
WWW.BNACONSULTING.COM

China Bridge Parking Expansion
Park City UT
Construction Documents

RECORD DRAWING
DATE: 09/14/2008

THESE RECORD DRAWINGS HAVE BEEN PREPARED BASED ON INFORMATION PROVIDED BY OTHERS. THE DESIGN PROFESSIONAL HAS NOT VERIFIED THE ACCURACY AND/OR COMPLETENESS OF THIS INFORMATION AND SHALL NOT BE RESPONSIBLE FOR ANY ERRORS OR OMISSIONS WHICH MAY BE INCORPORATED HEREIN AS A RESULT.

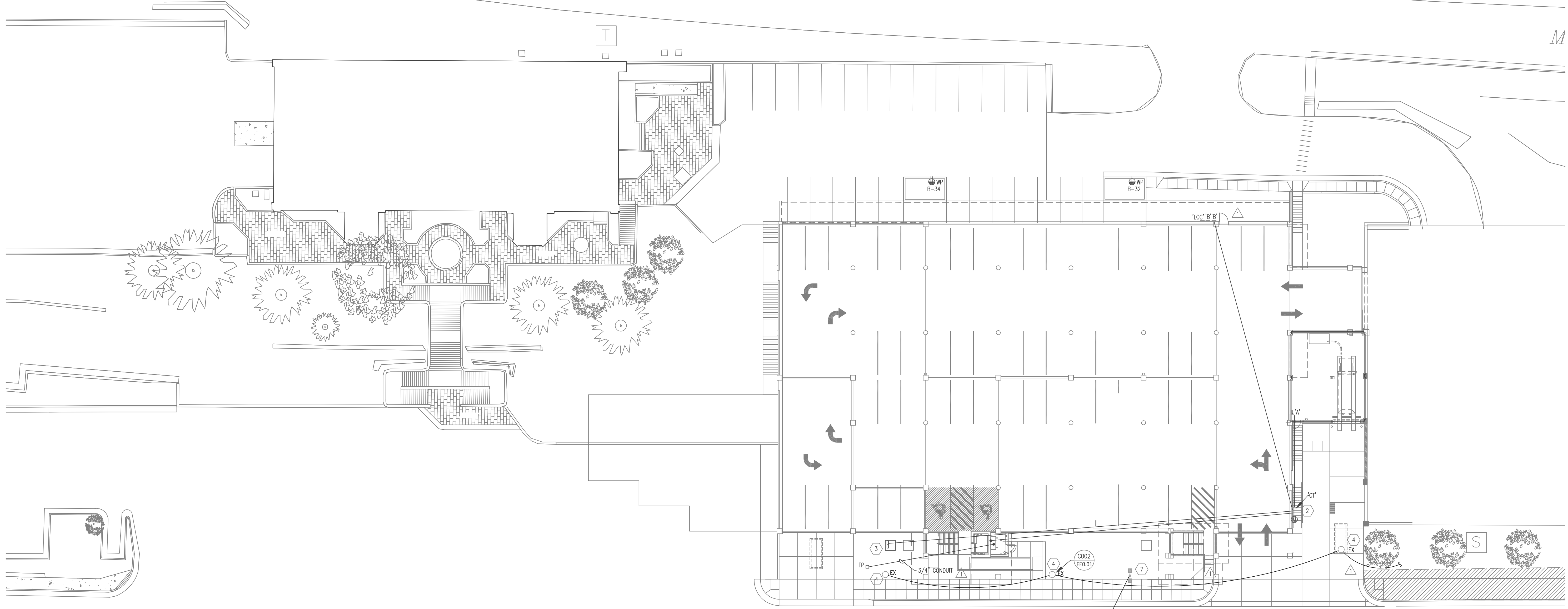
DATE	STATUS
3.23.2005	CD
8.04.2005	ADDENDUM #1

PROJECT NUMBER: 4100
CAD DWG FILE: 04298A
DRAWN BY: BNA
CHECKED BY: EF

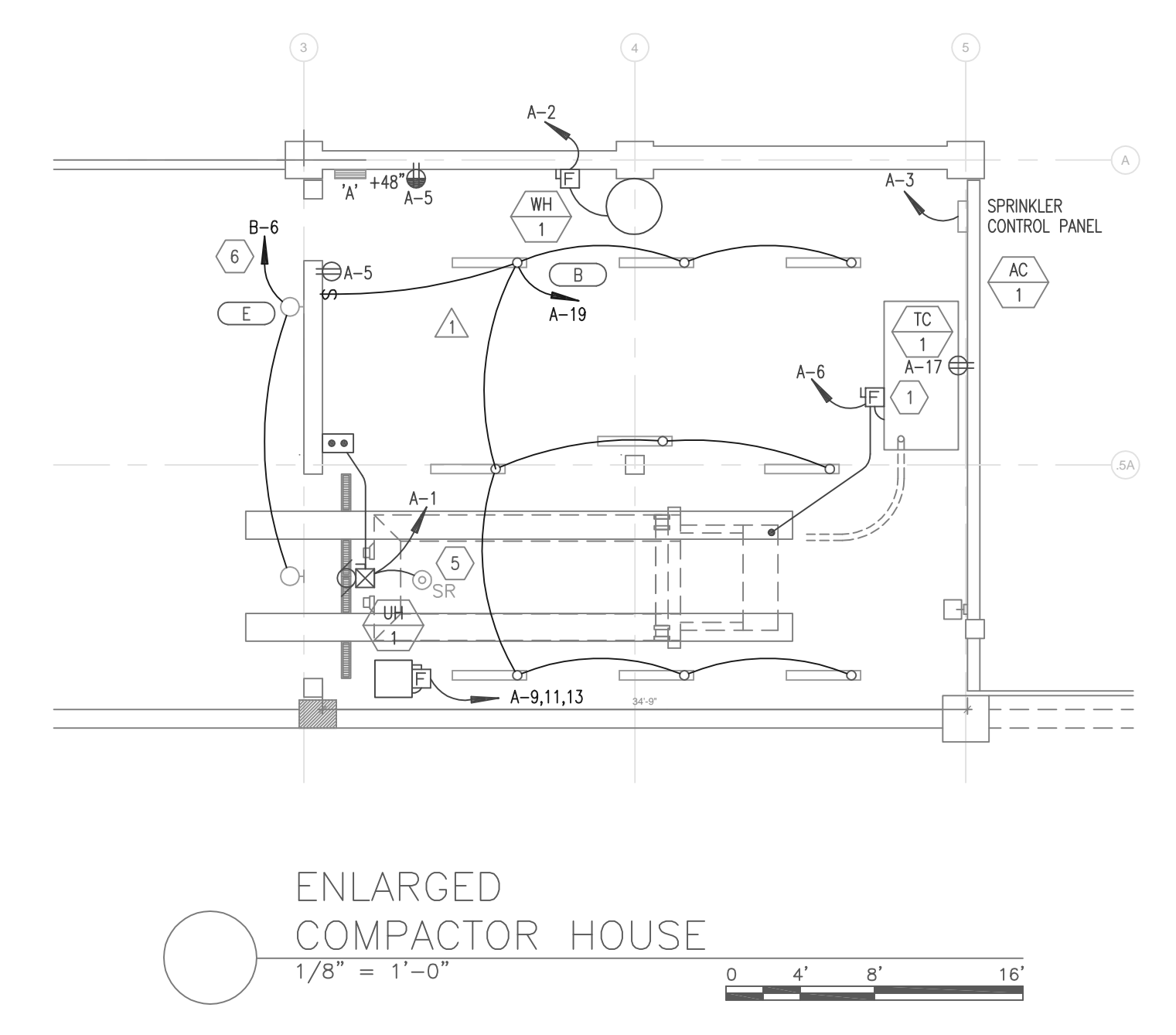
SCALE

SYMBOLS, SCHEDULES & NOTES

EE0.01



- SHEET KEYNOTES**
- RELOCATE EXISTING DISCONNECT SWITCH AND STARTER FROM EXISTING TRASH COMPACTOR.
 - LOCATE CT ENCLOSURE ON WALL UNDER STAIRS FAR ENOUGH EAST TO MAINTAIN MINIMUM OF 6'-6" CLEARANCE ABOVE GRADE.
 - CONCRETE PAD PROVIDED UNDER SEPARATE CONTRACT. VERIFY EXACT LOCATION WITH SITE UTILITY DRAWINGS.
 - REMOVE (3) EXISTING POLE LIGHTS INTERRUPTED DURING CONSTRUCTION AND REINSTALL AT NEW LOCATION SHOWN. PROVIDE NEW CONCRETE BASE AND CONNECT TO EXISTING BRANCH CIRCUIT PREVIOUSLY FEEDING LIGHTS.
 - PROVIDE 120 VOLT SMOKE DETECTOR WITH RELAY BASE.
 - SEE ARCHITECTURAL ELEVATIONS FOR MOUNTING HEIGHT. CIRCUIT THROUGH LIGHTING CONTACTOR.
 - REMOVE EXISTING COBRA HEAD LIGHTS FROM POWER POLE AND REINSTALL ON EXISTING POWER POLE ACROSS STREET. COORDINATE WIRING REQUIREMENTS WITH UTAH POWER.



By: Revit File: 15_2008 - 7.456.rvt
P:\2008\298A\DRAWING\298A-ES1.01.dwg