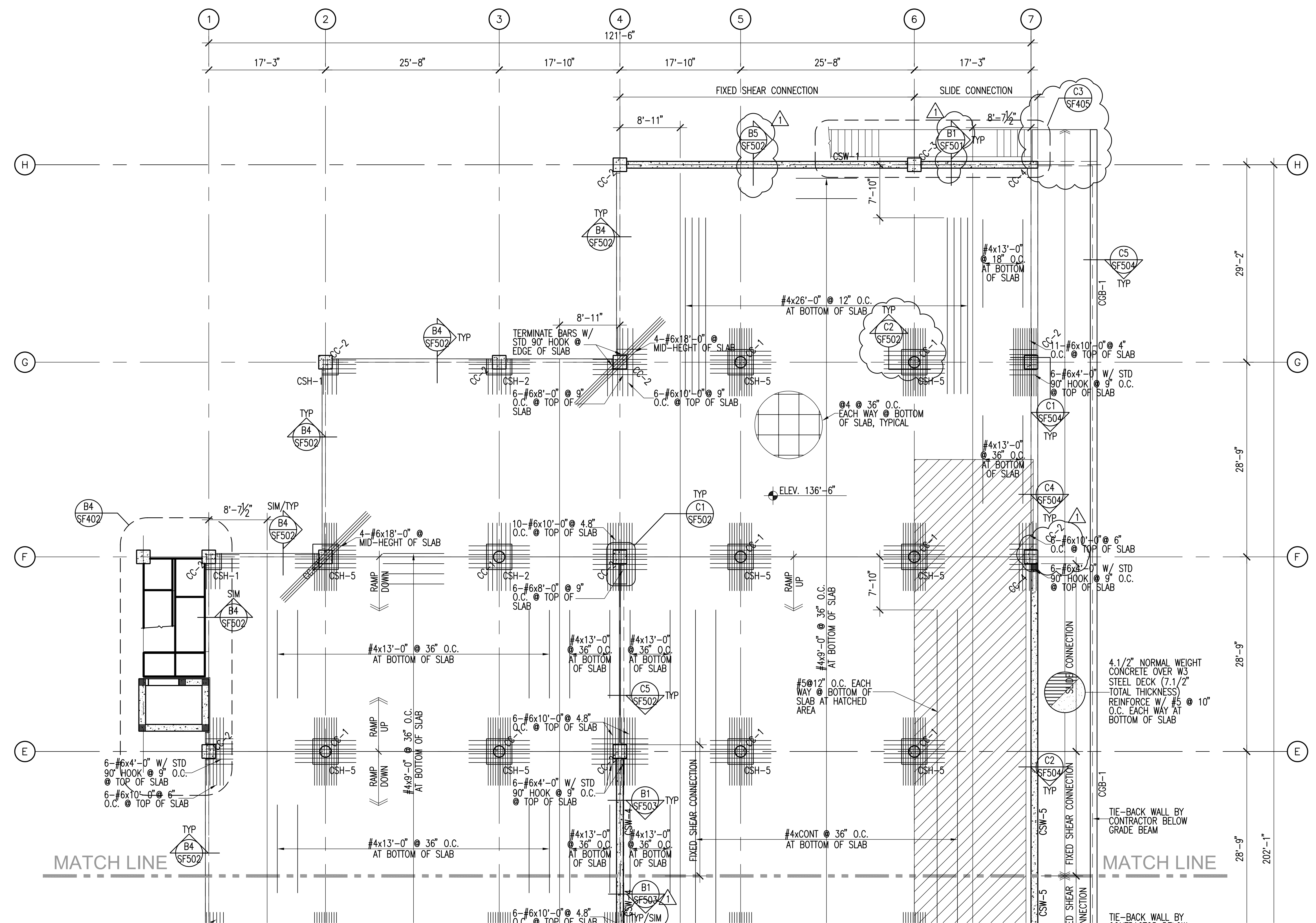


**ADDENDUM 1**  
**CHINA BRIDGE**  
**PART 3**



### CONCRETE FRAMING PLAN LEGEND

- CONCRETE WALL
- CONCRETE LINTEL IN CONCRETE WALL
- CONCRETE COLUMN IN CONCRETE WALL
- CONCRETE COLUMN
- CONCRETE JAMB COLUMN POURED MONOLITHIC WITH CONCRETE WALL
- CONCRETE BEAM
- CONCRETE SUSPENDED SLAB
- CHANGE IN ELEVATION
- SPECIAL SLAB AREA
- RECESSED/DEPRESSED SLAB
- OPENING

### POST-TENSIONED SLAB NOTES AND LEGEND

1. UNLESS NOTED OTHERWISE, ALL P.T. SLABS SHALL BE 8" THICK
2. SEE PROJECT SPECIFICATIONS FOR DETAILED POST-TENSION SYSTEM INFORMATION.
3. CENTER LINE OF TENDONS AT SLAB EDGES, AND CONSTRUCTION JOINTS, TO BE AT MIDPOINT OF SLAB, UNLESS NOTED OTHERWISE.
4. PROVIDE SUPPORT BARS FOR TENDONS AND REBAR AS REQUIRED.
5. SEE SHEET SE001 FOR GENERAL STRUCTURAL NOTES, SECTION III
6. TWO TENDONS, MINIMUM, SHALL PASS THROUGH COLUMN CAGE EACH DIRECTION.
7. PROVIDE 1" MIN. CLEAR CONCRETE COVER FOR THE BOTTOM SLAB REINFORCEMENT. PROVIDE 2" MIN. CLEAR COVER TO ALL REINFORCING STEEL BELOW THE TOP OF THE POST-TENSIONED SLAB. PROVIDE 1 1/2" CLEAR CONCRETE COVER AT END SPANS OF POST-TENSIONED CONCRETE SLAB.
8. SEE DETAIL C2/SF501 FOR TYPICAL P.T. TENDON PROFILE DIAGRAM.
9. SLAB ELEVATIONS SHOWN ARE GENERAL ELEVATIONS ONLY. SEE ARCHITECTURAL DRAWINGS FOR SPECIFIC FINAL ELEVATIONS, TYPICAL.
10. PLACE TENDONS AND REINFORCING AROUND OPENINGS IN SLAB PER DETAIL B5/SF501.
11. SEE DETAIL B1/SF501 FOR SLEEVES AND BLOCK-OUTS NEAR P.T. TENDON ANCHORS.
12. SEE DETAILS B2&B4/SF501 FOR TENDON ANCHORAGE. SEE DETAILS C4&C5/SF501 FOR TENDON PLACEMENT, TYPICAL.
13. SEE DETAIL C4/SF501 FOR TYPICAL TENDON END ANCHORAGE.
14. ANCHORAGE TO SUSPENDED P.T. SLAB FOR MECH AND ELEC EQUIPMENT SHALL BE INSTALLED BEFORE CONCRETE SUSPENDED SLAB IS POURED. ANCHOR SHALL NOT BE INSTALLED AFTER SUSPENDED SLAB HAVE BEEN POURED.
15. DENOTES POST-TENSION TENDON STRESSING END ANCHORAGE, W/ ELEVATION MARK AT CENTERLINE OF TENDON.
16. DENOTES POST-TENSION TENDON W/ ELEVATION MARK AT CENTERLINE OF TENDON. MEASURED FROM BOTTOM OF SLAB OR BEAM, U.N.O.
17. DENOTES POST-TENSION TENDON DEAD END ANCHORAGE W/ ELEVATION MARK AT CENTERLINE OF TENDON.

**FFKR Architects**

Bogue Building  
730 Pacific Avenue  
Salt Lake City  
Utah 84104

801.521.6186 tel  
801.539.1916 fax  
www.ffkr.com

---

RECORD DRAWINGS  
INFORMATION PROVIDED  
BY CONTRACTOR  
SEPTEMBER 2006

---

China Bridge Parking Expansion  
Park City UT  
Construction Documents

---

DATE	STATUS
3/23/2006	CD
4/05/2006	ADDENDUM #1
9/2008	RECD DWGS

---

PROJECT NUMBER	4100
DWG FILE	SF115.DWG
DRAWN BY	DAM/REA
CHECKED BY	CP/UTM

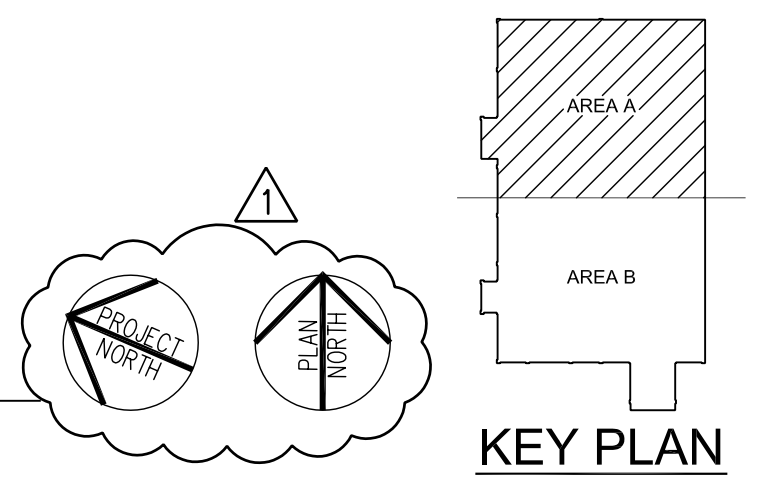
---

SCALE: NONE

**LEVEL 5 REINFRAMING PLAN**

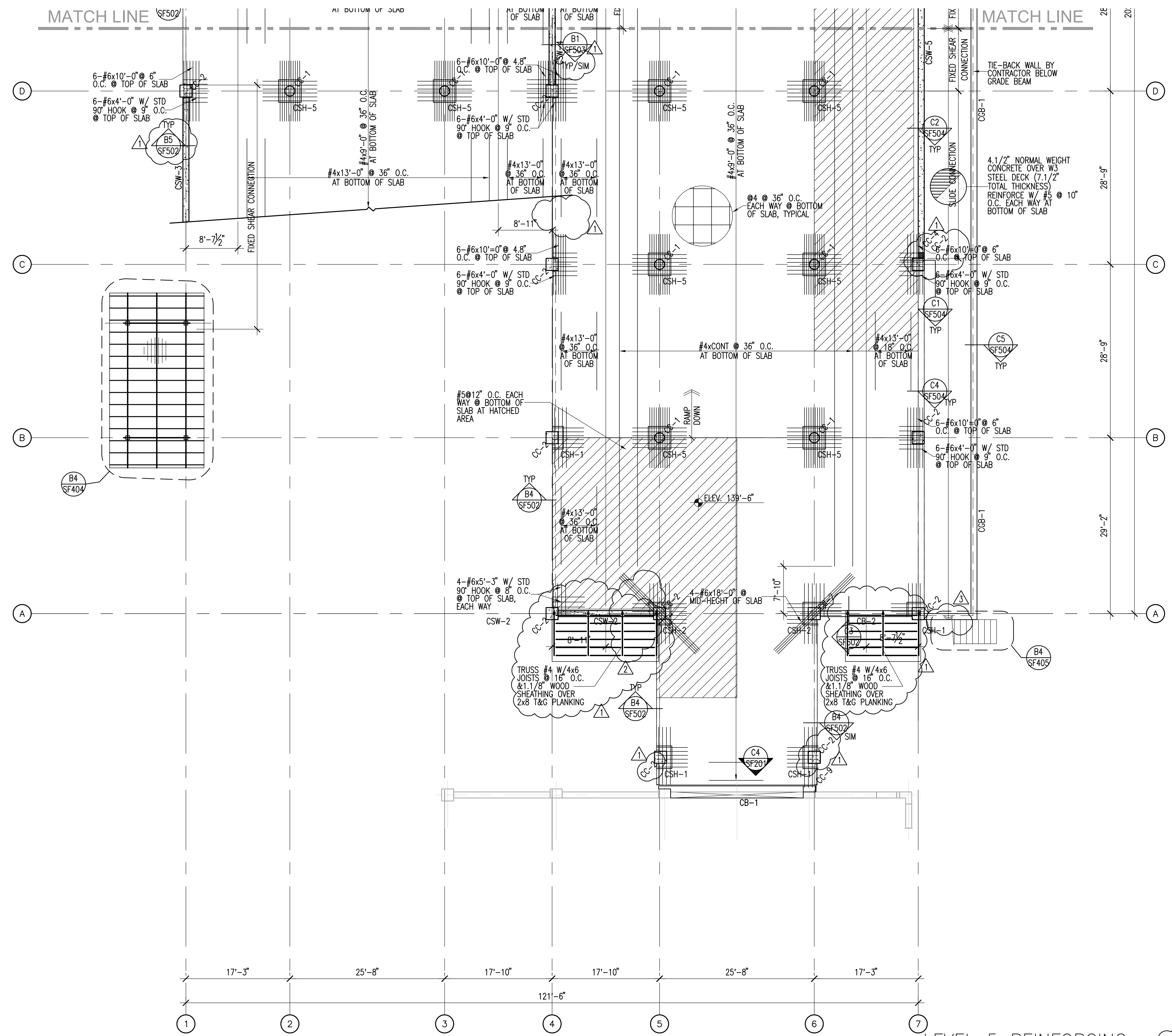
SF115

**LEVEL 5 REINFRAMING PLAN**  
SCALE: 1/8" = 1'-0"



MATCH LINE (SF502)

MATCH LINE



CONCRETE FRAMING PLAN LEGEND

- CONCRETE WALL
- CONCRETE LINTEL IN CONCRETE WALL
- CONCRETE COLUMN IN CONCRETE WALL
- CONCRETE COLUMN
- CONCRETE JAMB COLUMN POURED MONOLITHIC WITH CONCRETE WALL
- CONCRETE BEAM
- CONCRETE SUSPENDED SLAB
- CHANGE IN ELEVATION
- SPECIAL SLAB AREA
- RECESSED/DEPRESSED SLAB
- OPENING

POST-TENSIONED SLAB NOTES AND LEGEND

1. UNLESS NOTED OTHERWISE, ALL P.T. SLABS SHALL BE 8" THICK
2. SEE PROJECT SPECIFICATIONS FOR DETAILED POST-TENSION SYSTEM INFORMATION.
3. CENTER LINE OF TENDONS AT SLAB EDGES, AND CONSTRUCTION JOINTS, TO BE AT MIDPOINT OF SLAB, UNLESS NOTED OTHERWISE.
4. PROVIDE SUPPORT BARS FOR TENDONS AND REBAR AS REQUIRED.
5. SEE SHEET SE001 FOR GENERAL STRUCTURAL NOTES, SECTION III
6. TWO TENDONS, MINIMUM, SHALL PASS THROUGH COLUMN CAGE EACH DIRECTION.
7. PROVIDE 1" MIN. CLEAR CONCRETE COVER FOR THE BOTTOM SLAB REINFORCEMENT. PROVIDE 2" MIN. CLEAR COVER TO ALL REINFORCING STEEL BELOW THE TOP OF THE POST-TENSIONED SLAB. PROVIDE 1.1/2" CLEAR CONCRETE COVER AT END SPANS OF POST-TENSIONED CONCRETE SLAB.
8. SEE DETAIL C2/SF501 FOR TYPICAL P.T. TENDON PROFILE DIAGRAM.
9. SLAB ELEVATIONS SHOWN ARE GENERAL ELEVATIONS ONLY. SEE ARCHITECTURAL DRAWINGS FOR SPECIFIC FINAL ELEVATIONS, TYPICAL.
10. PLACE TENDONS AND REINFORCING AROUND OPENINGS IN SLAB PER DETAIL B5/SF501.
11. SEE DETAIL B1/SF501 FOR SLEEVES AND BLOCK-OUTS NEAR P.T. TENDON ANCHORS.
12. SEE DETAILS B2&B4/SF501 FOR TENDON ANCHORAGE. SEE DETAILS C4&C5/SF501 FOR TENDON PLACEMENT, TYPICAL.
13. SEE DETAIL C4/SF501 FOR TYPICAL TENDON END ANCHORAGE.
14. ANCHORAGE TO SUSPENDED P.T. SLAB FOR MECH AND ELEC EQUIPMENT SHALL BE INSTALLED BEFORE CONCRETE SUSPENDED SLAB IS POURED. ANCHOR SHALL NOT BE INSTALLED AFTER SUSPENDED SLAB HAVE BEEN POURED.
15. DENOTES POST-TENSION TENDON STRESSING END ANCHORAGE, W/ ELEVATION MARK AT CENTERLINE OF TENDON.
16. DENOTES POST-TENSION TENDON W/ ELEVATION MARK AT CENTERLINE OF TENDON. MEASURED FROM BOTTOM OF SLAB OR BEAM, U.N.O.
17. DENOTES POST-TENSION TENDON DEAD END ANCHORAGE W/ ELEVATION MARK AT CENTERLINE OF TENDON.



Bogue Building  
730 Pacific Avenue  
Salt Lake City  
Utah 84104  
801.521.6186 tel  
801.539.1916 fax  
www.ffkr.com

RECORD DRAWINGS  
INFORMATION PROVIDED  
BY CONTRACTOR  
SEPTEMBER 2006

China Bridge Parking Expansion  
Park City UT  
Construction Documents

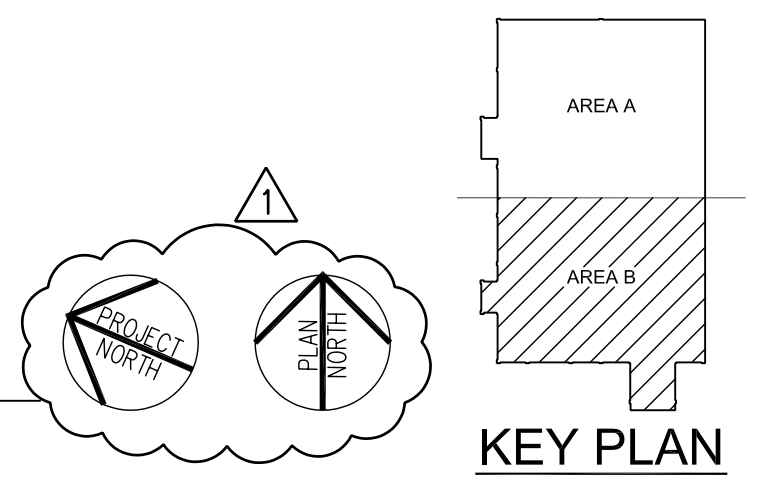
DATE	STATUS
3/23/2006	CD
4/05/2006	ADDENDUM #1
8/04/2006	REVISIONS
9/2006	RECD DWGS

PROJECT NUMBER	4100
CAD DWG FILE	SF116.DWG
DRAWN BY	DAW/REA
CHECKED BY	CP/UTM

SCALE NONE  
LEVEL 5 REINFRAMING PLAN  
SF116

A4 LEVEL 5 REINFRAMING PLAN  
SCALE: 1/8" = 1'-0"



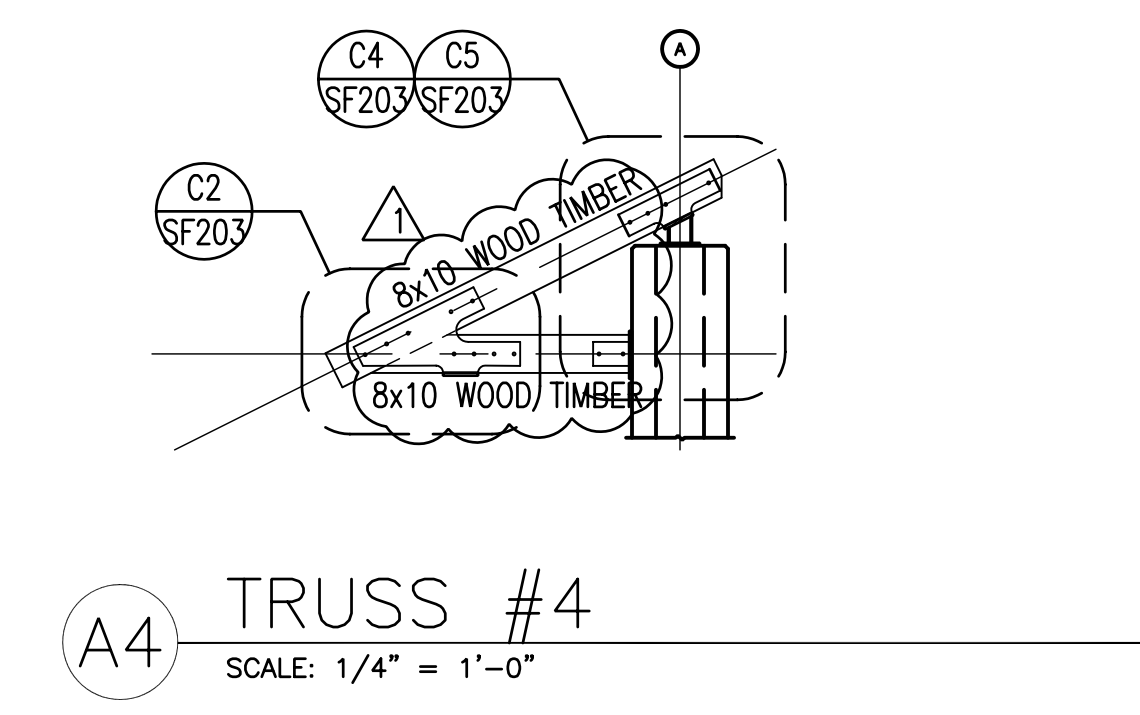
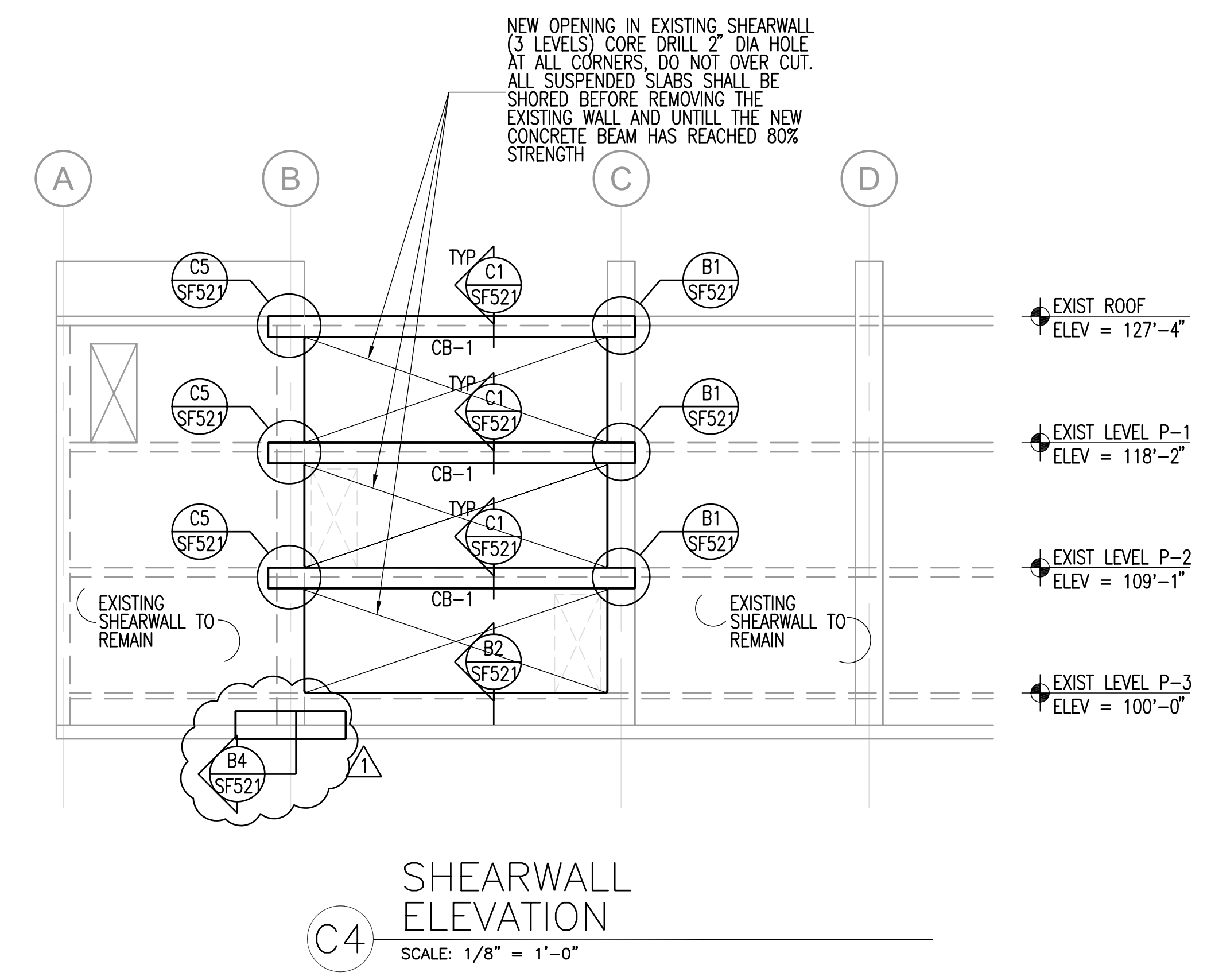
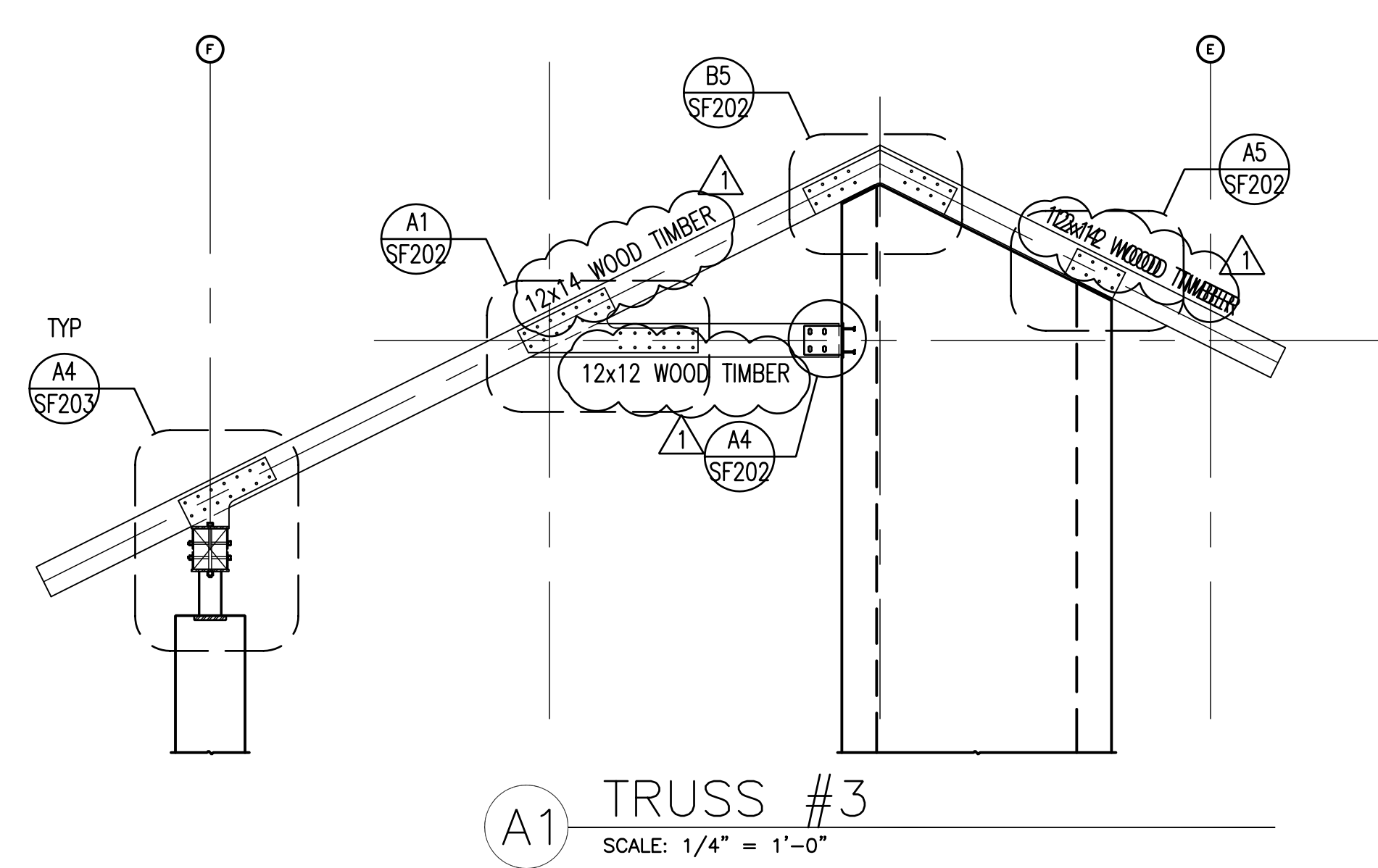
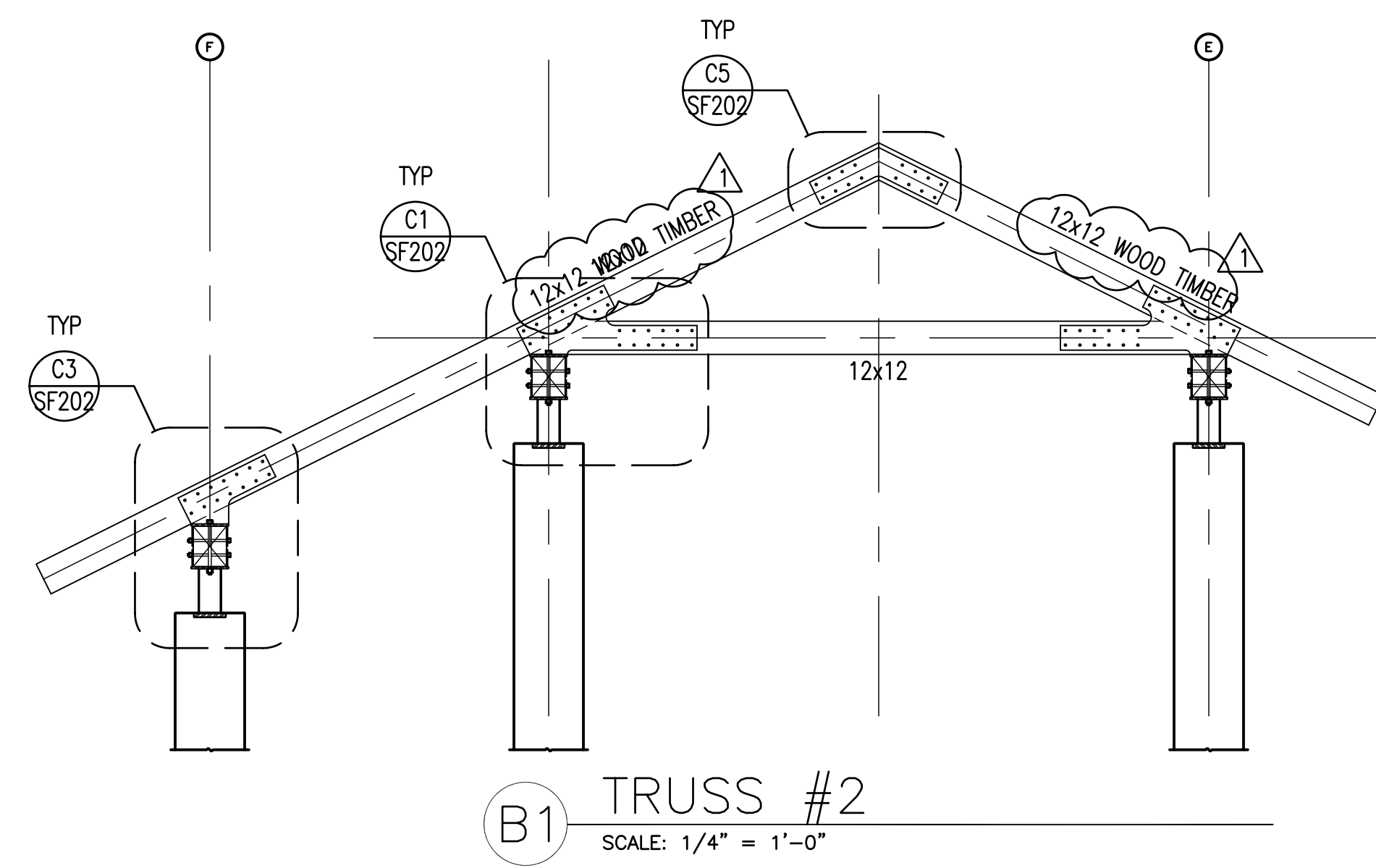
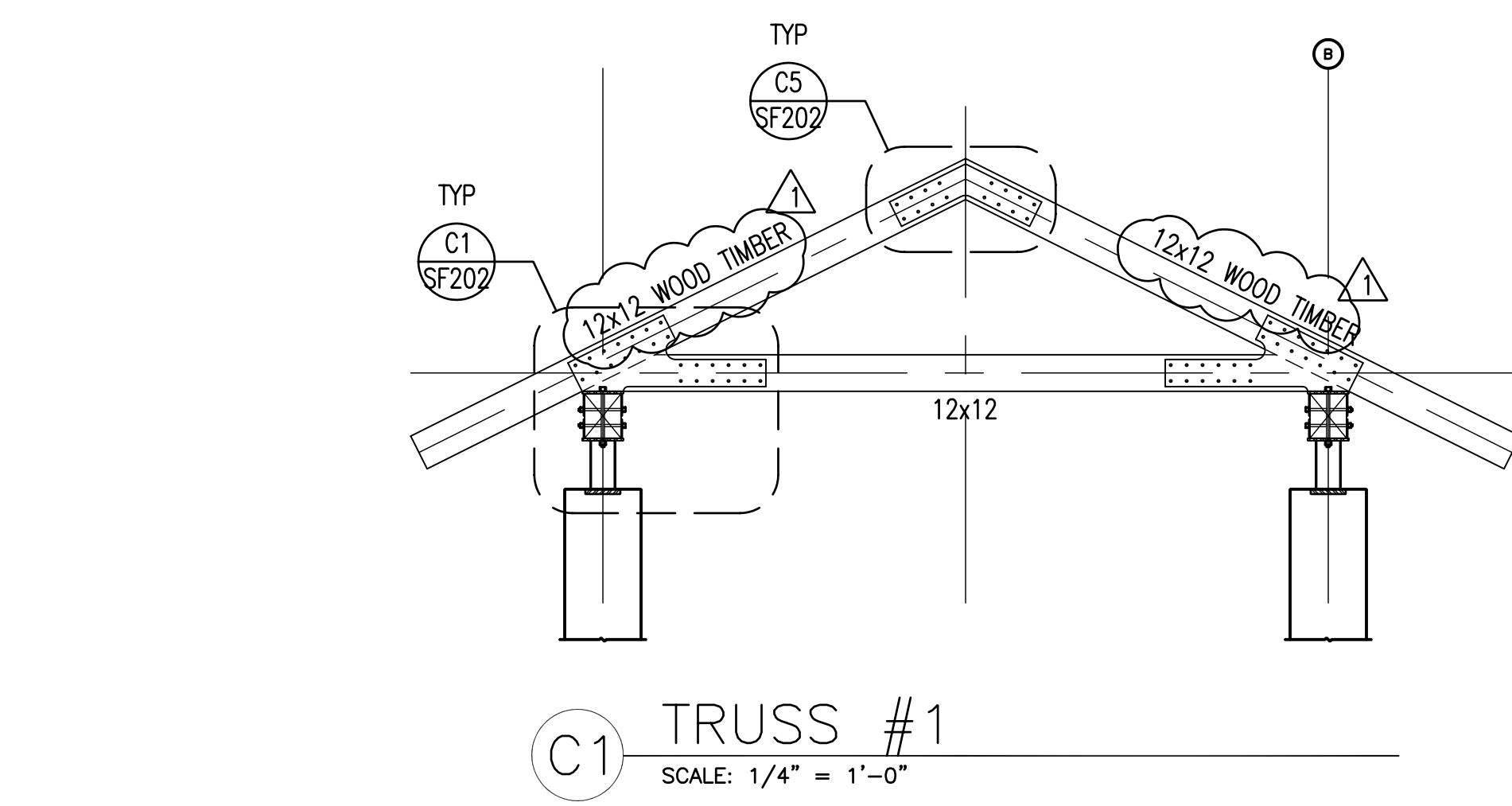
DATE	STATUS
3.28.2006	CD
4.05.2006	ADDENDUM #1

PROJECT NUMBER	4100
CAD DWG FILE	SF201.DWG
DRAWN BY	DAW/REA
CHECKED BY	OP/UTM

SCALE NONE

**SHEARWALL AND TRUSS ELEVATIONS**

SF201



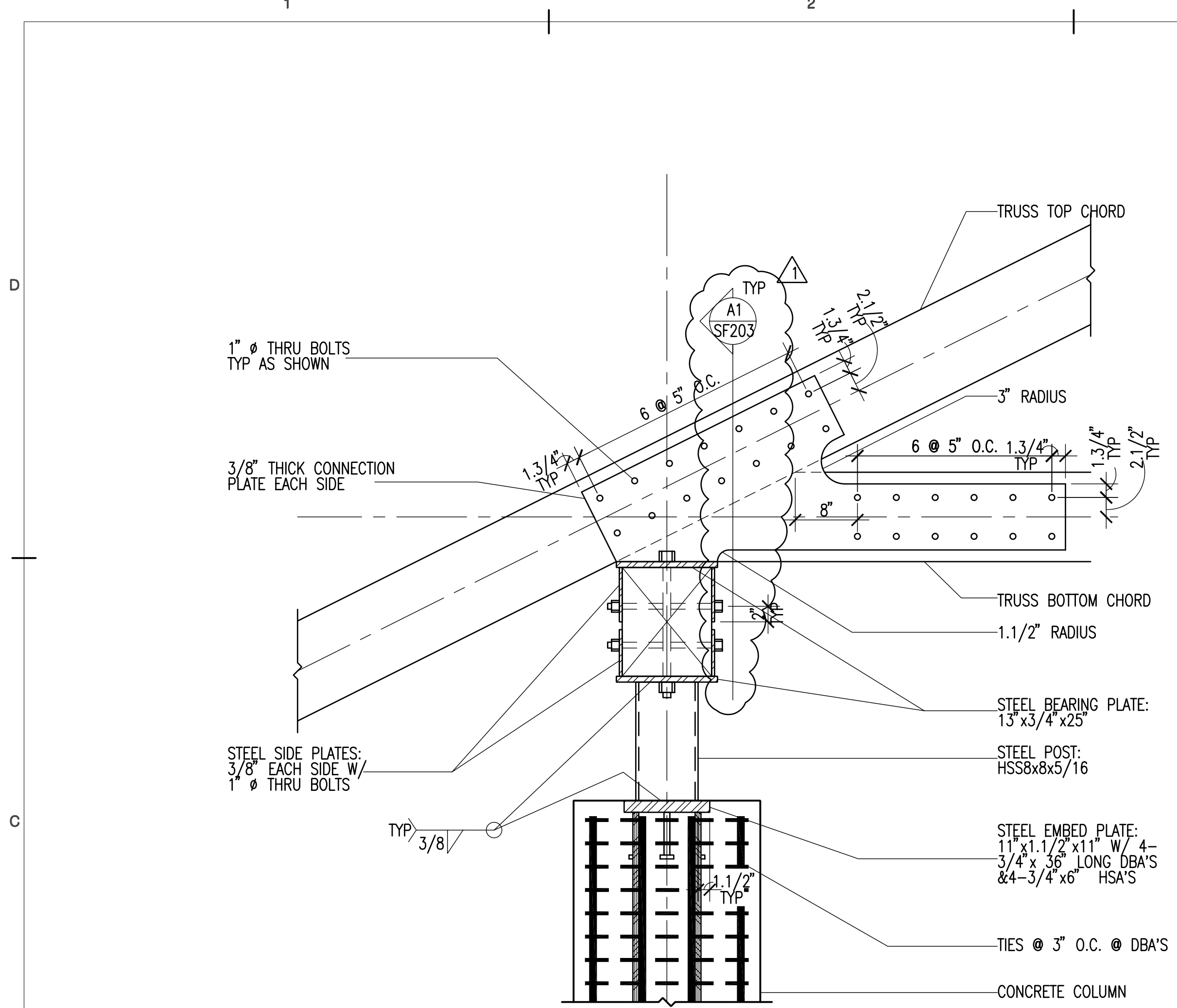
DATE	STATUS
3.28.2006	CD
4.05.2006	ADDENDUM #1

PROJECT NUMBER	4100
CAD DWG FILE	SB6202.dwg
DRAWN BY	DAM/PEA
CHECKED BY	CP/UTM

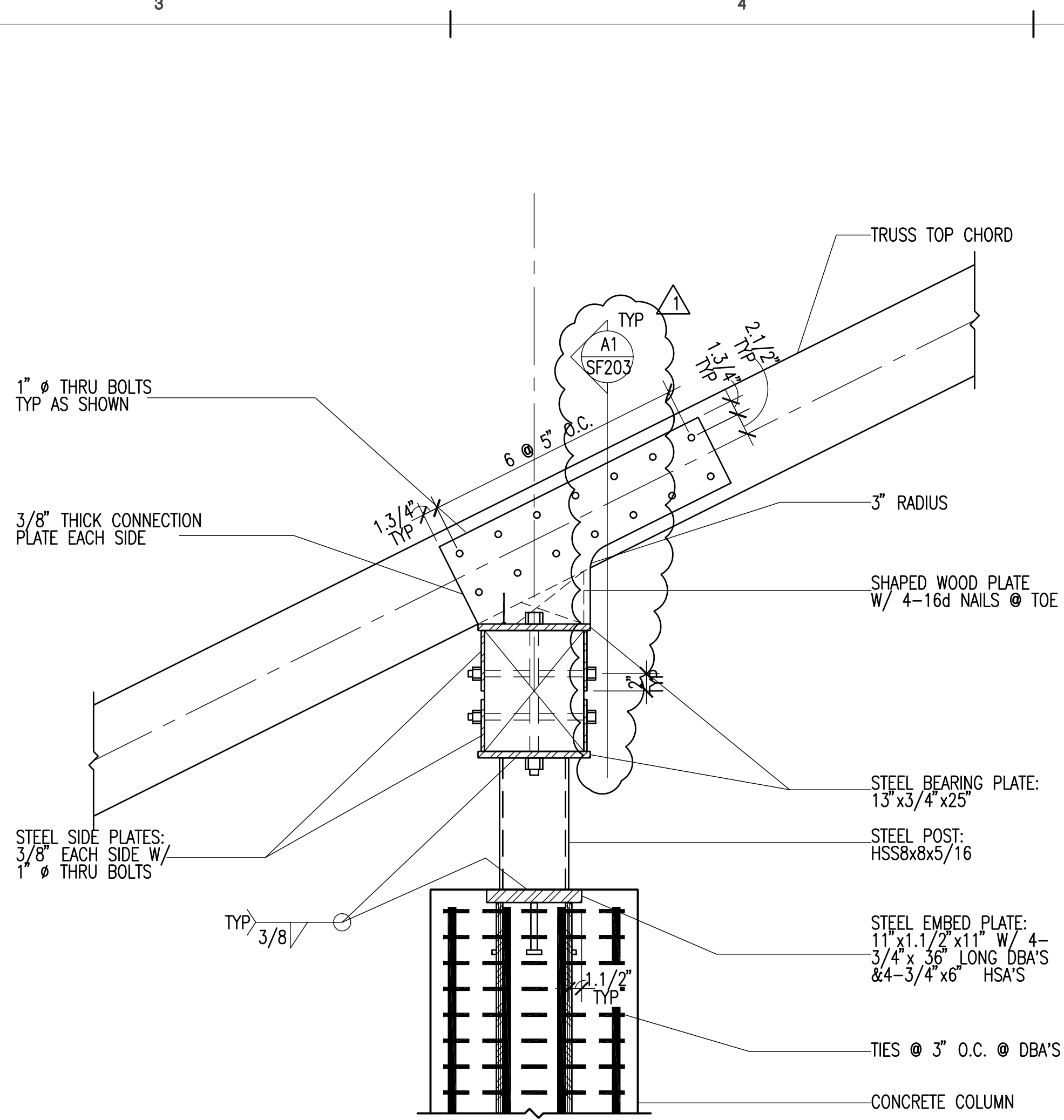
SCALE NONE

**TRUSS  
FRAMING  
DETAILS**

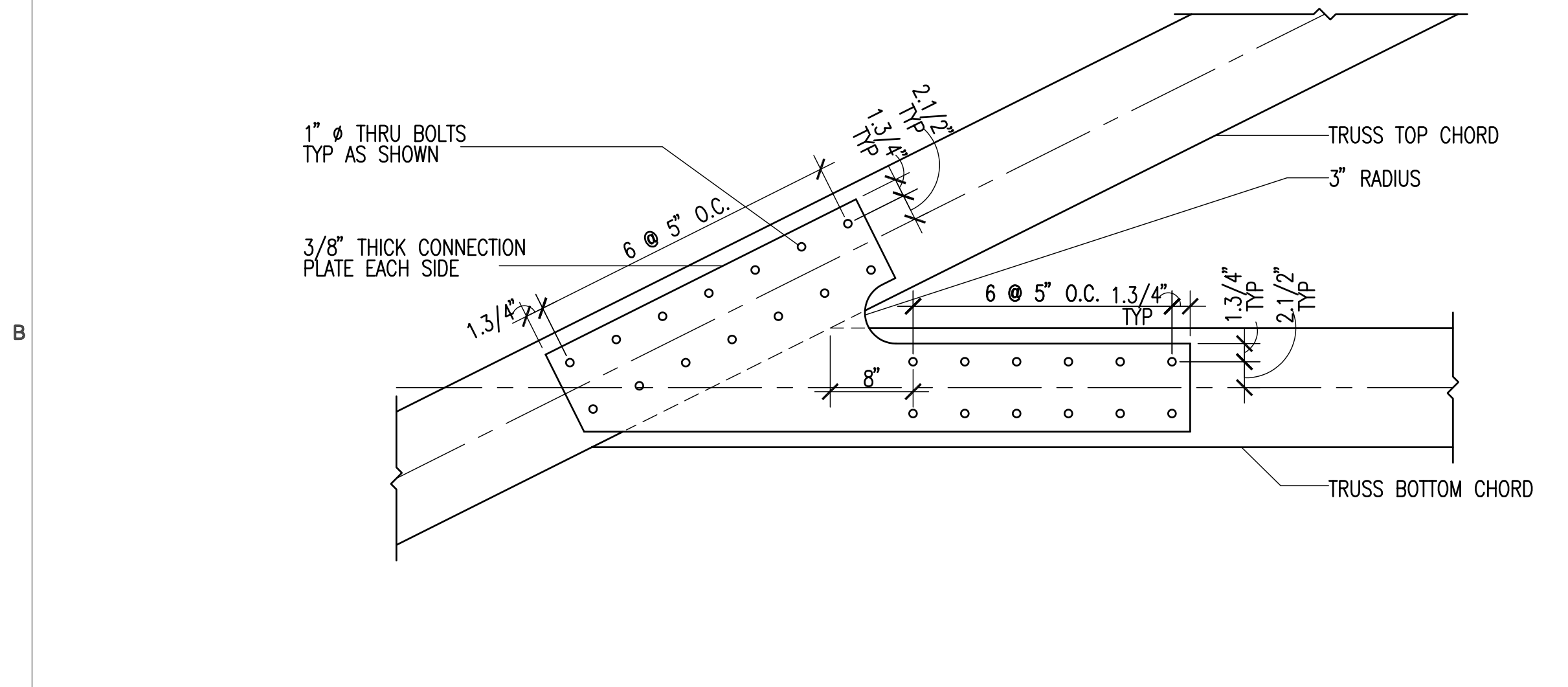
SF202



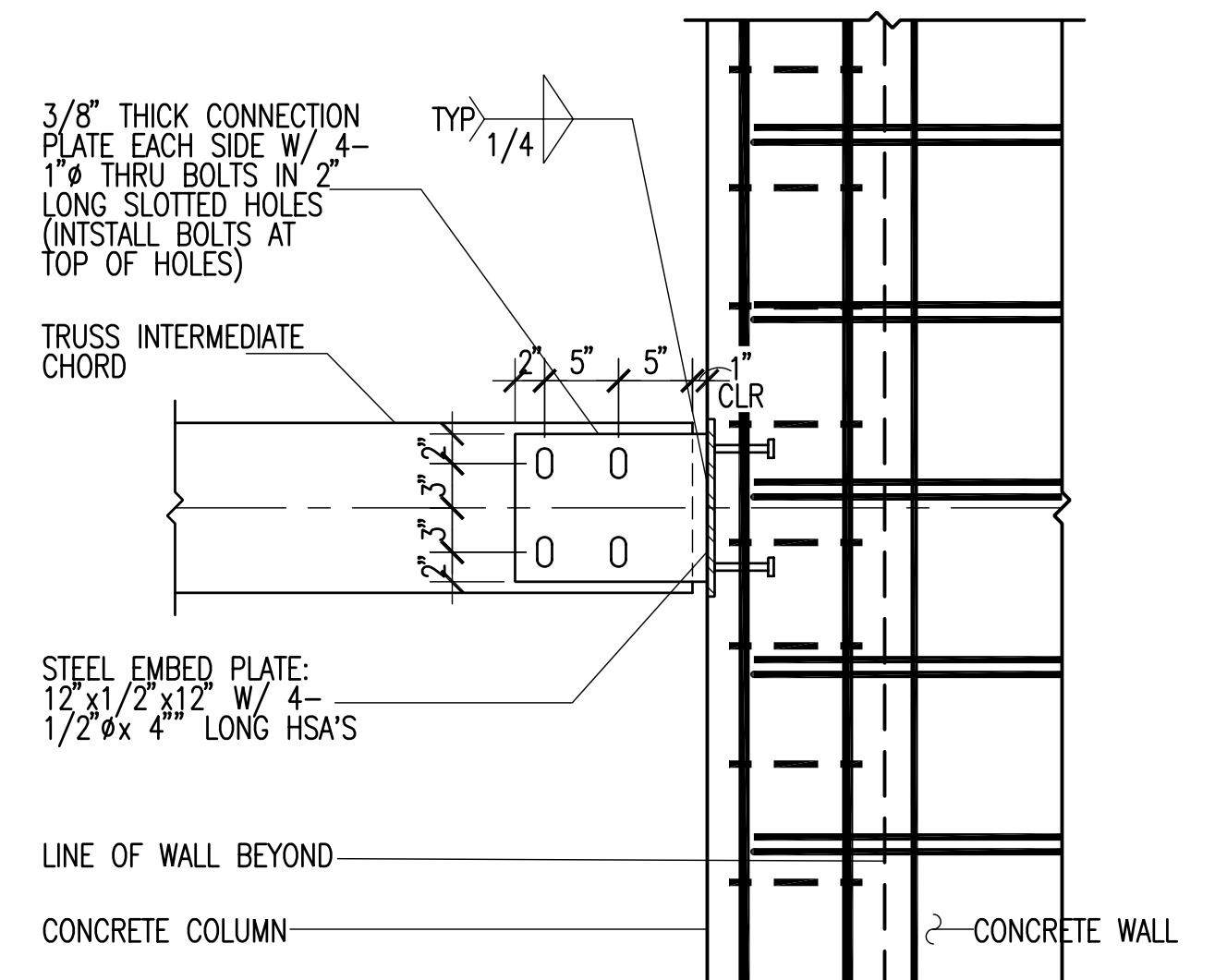
**C1** TYPICAL WOOD TRUSS AT STEEL/CONCRETE COLUMN  
SF202 NO SCALE  
2005-012A-SF202/C1



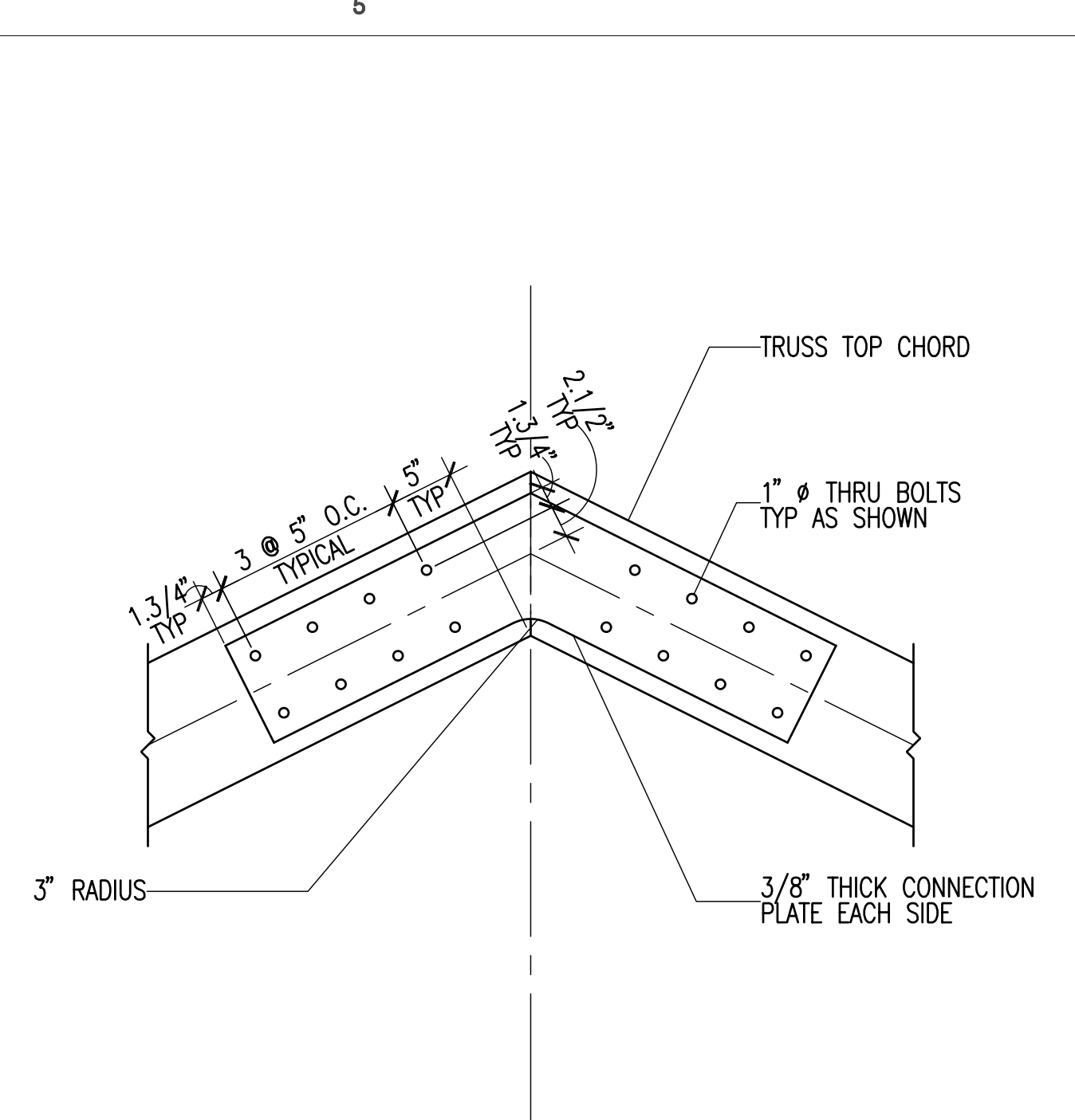
**C3** TYPICAL WOOD TRUSS AT STEEL/CONCRETE COLUMN  
SF202 NO SCALE  
2005-012A-SF202/C3



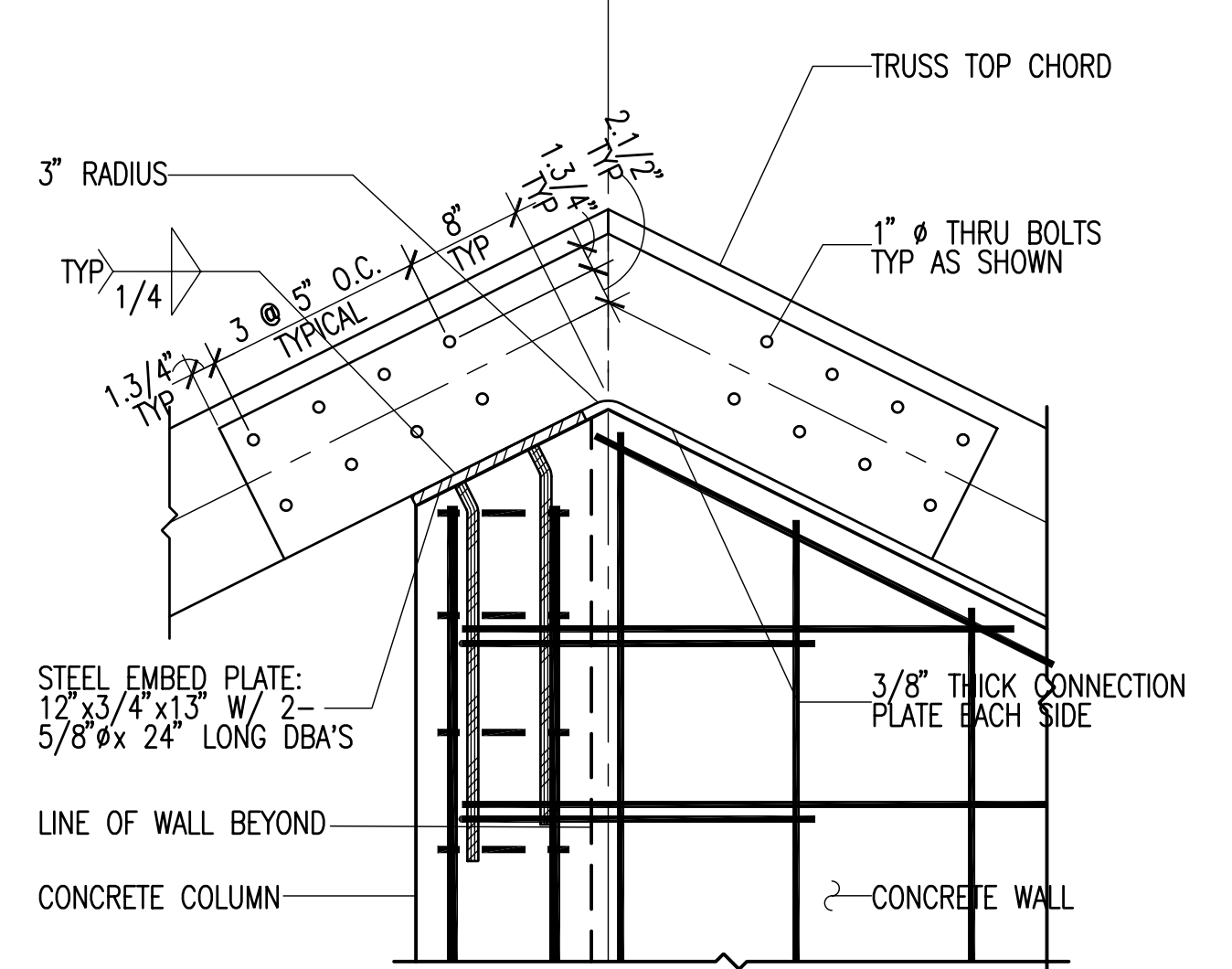
**A1** TYPICAL WOOD TRUSS CONNECTION  
SF202 NO SCALE  
2005-012A-SF202/C1



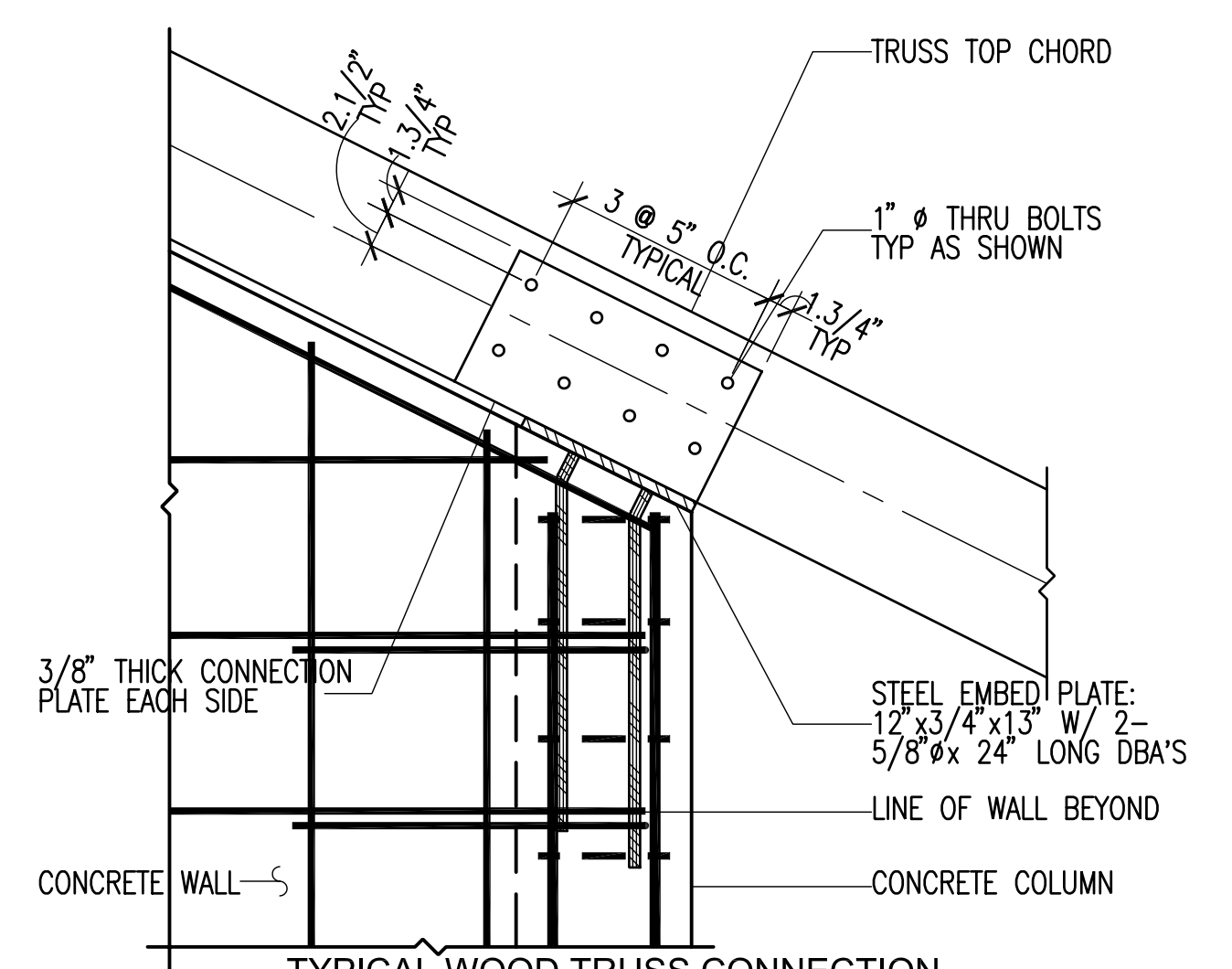
**A4** TYPICAL WOOD TRUSS CONNECTION AT CONCRETE WALL  
SF202 NO SCALE  
2005-012A/SF202/A4



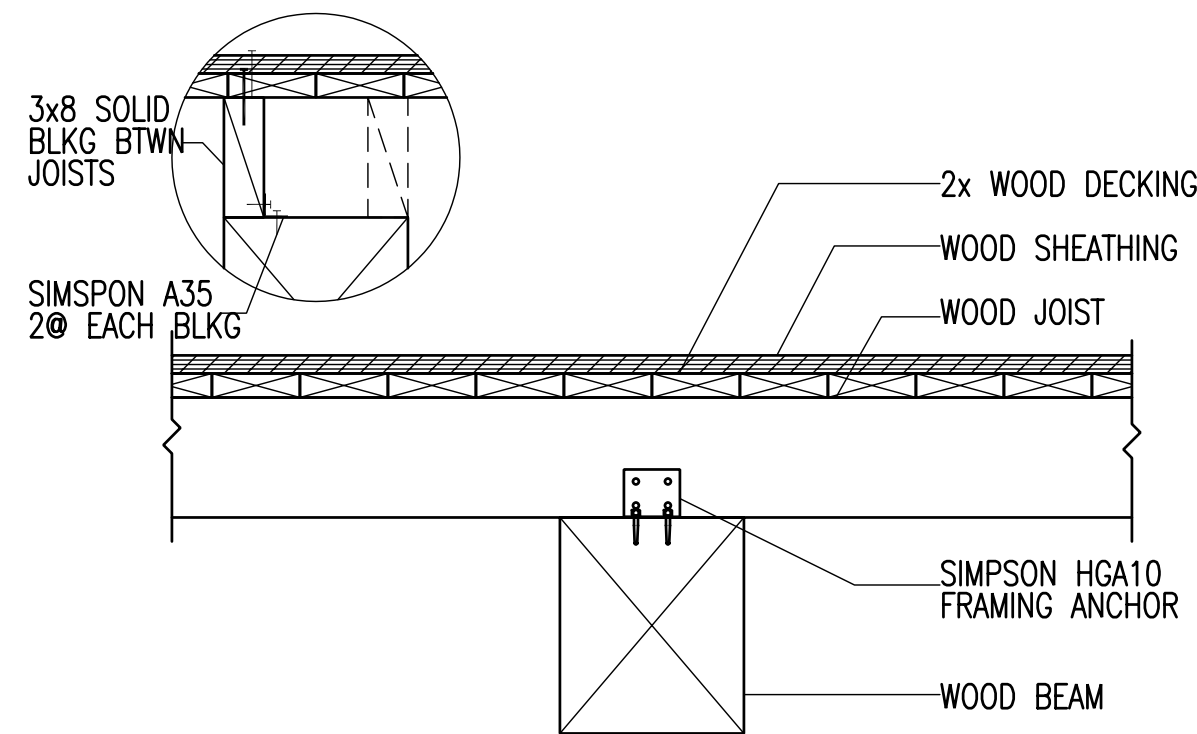
**C5** TYPICAL WOOD TRUSS CONNECTION AT RIDGE  
SF202 NO SCALE  
2005-012A/SF202/C5



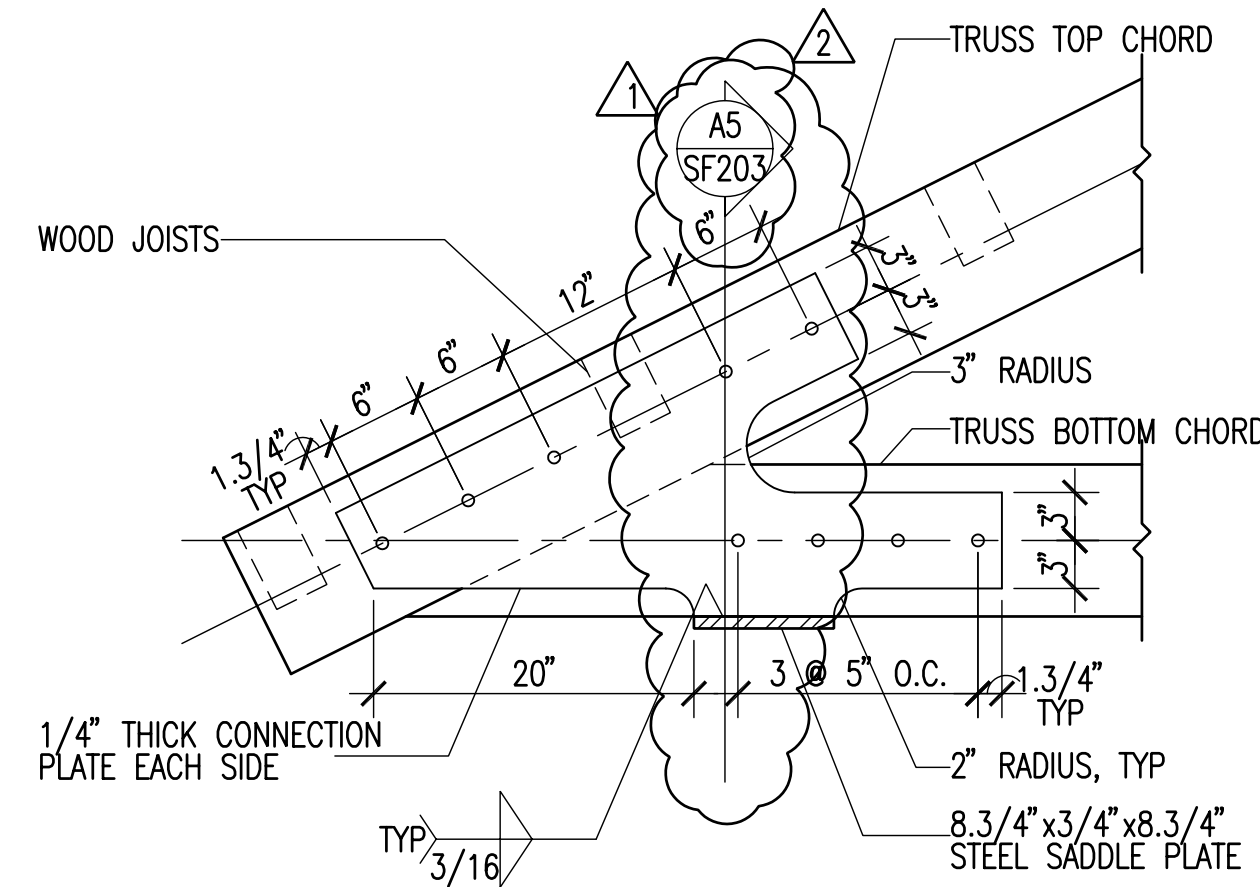
**B5** TYPICAL WOOD TRUSS CONNECTION AT CONCRETE WALL  
SF202 NO SCALE  
2005-012A/SF202/B5



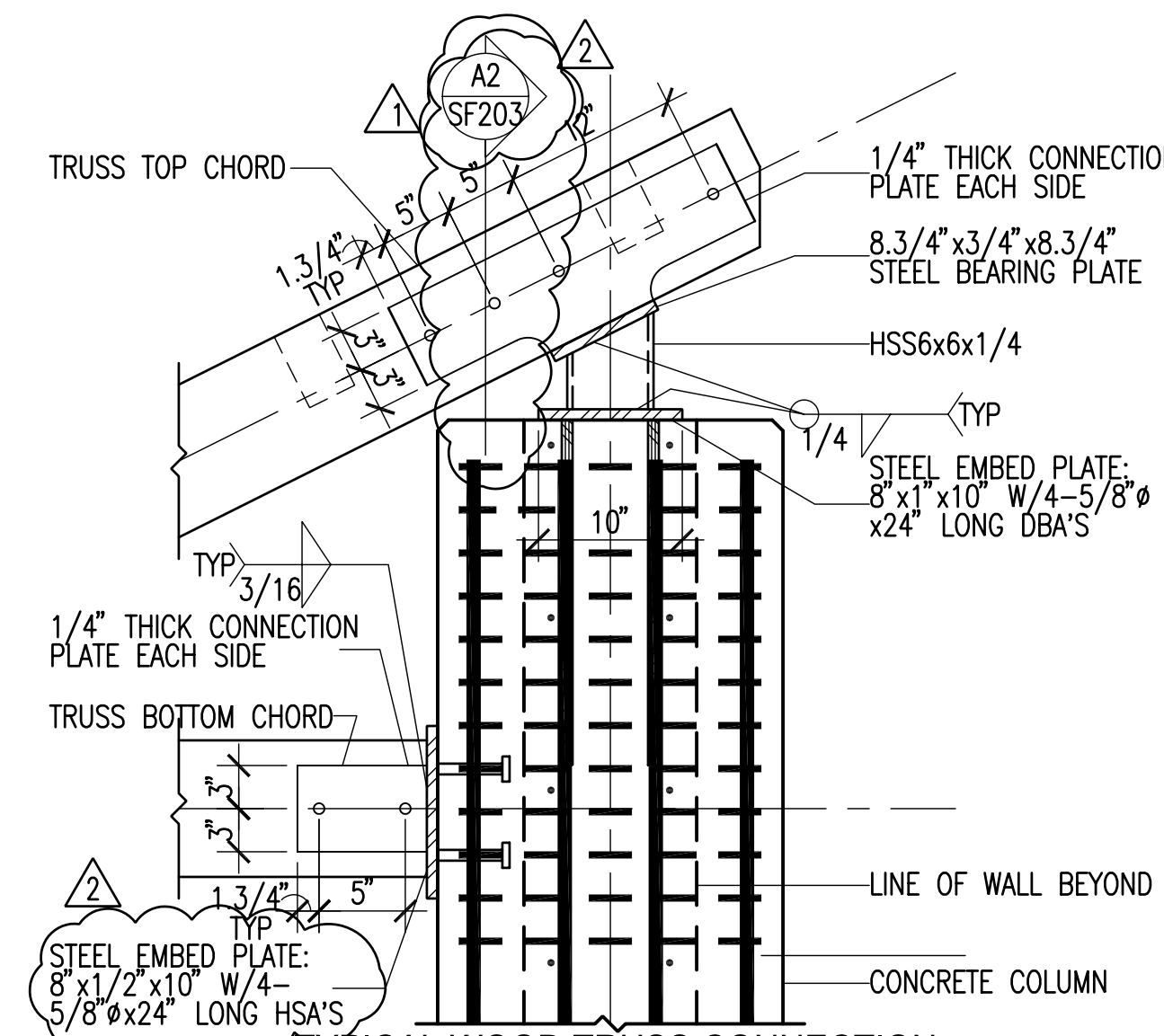
**A5** TYPICAL WOOD TRUSS CONNECTION AT CONCRETE WALL  
SF202 NO SCALE  
2005-012A/SF202/A5



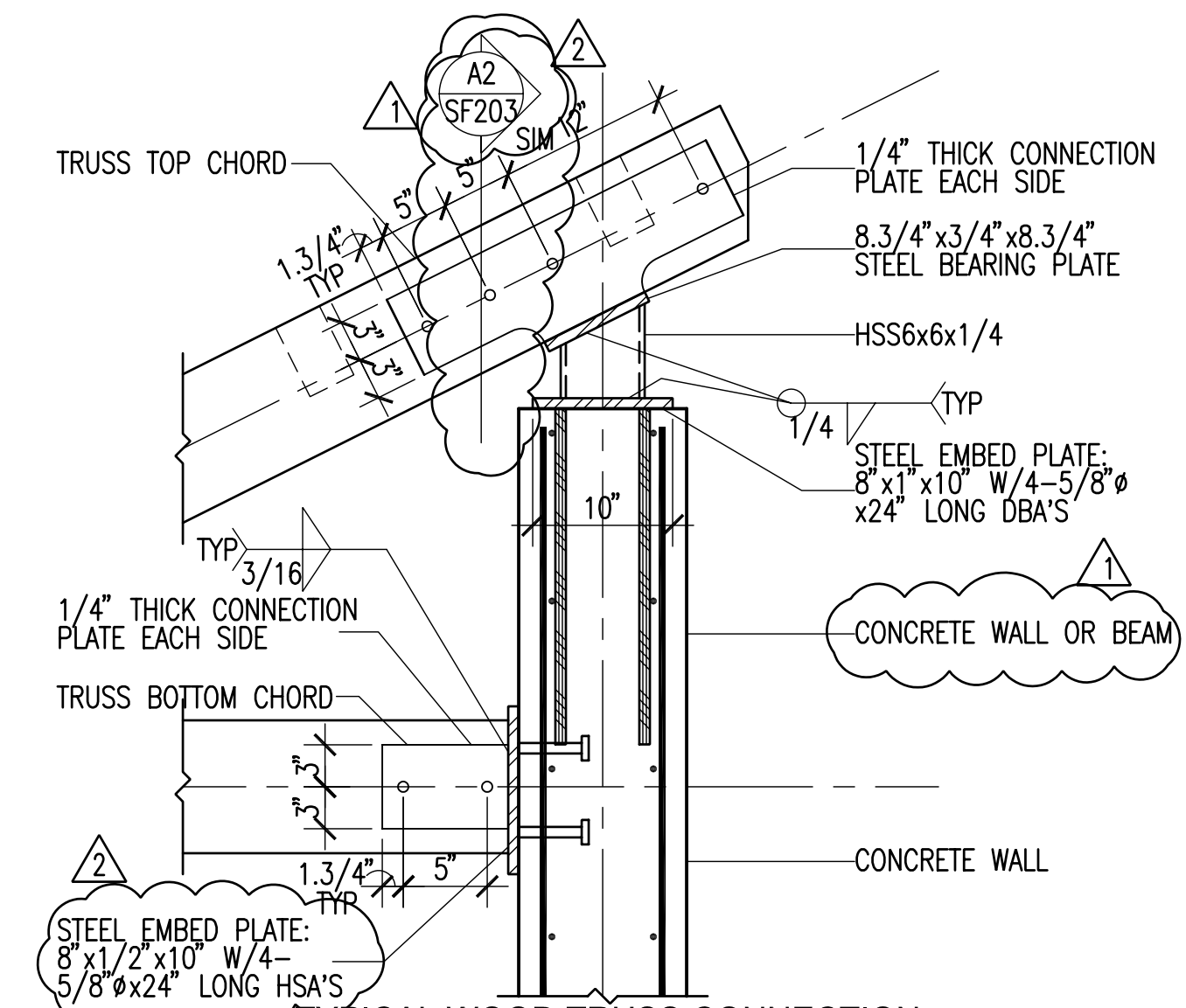
**C1** TYPICAL WOOD JOIST CONNECTION AT WOOD TRUSS  
SF203 NO SCALE  
2005-012A/SF203/C1



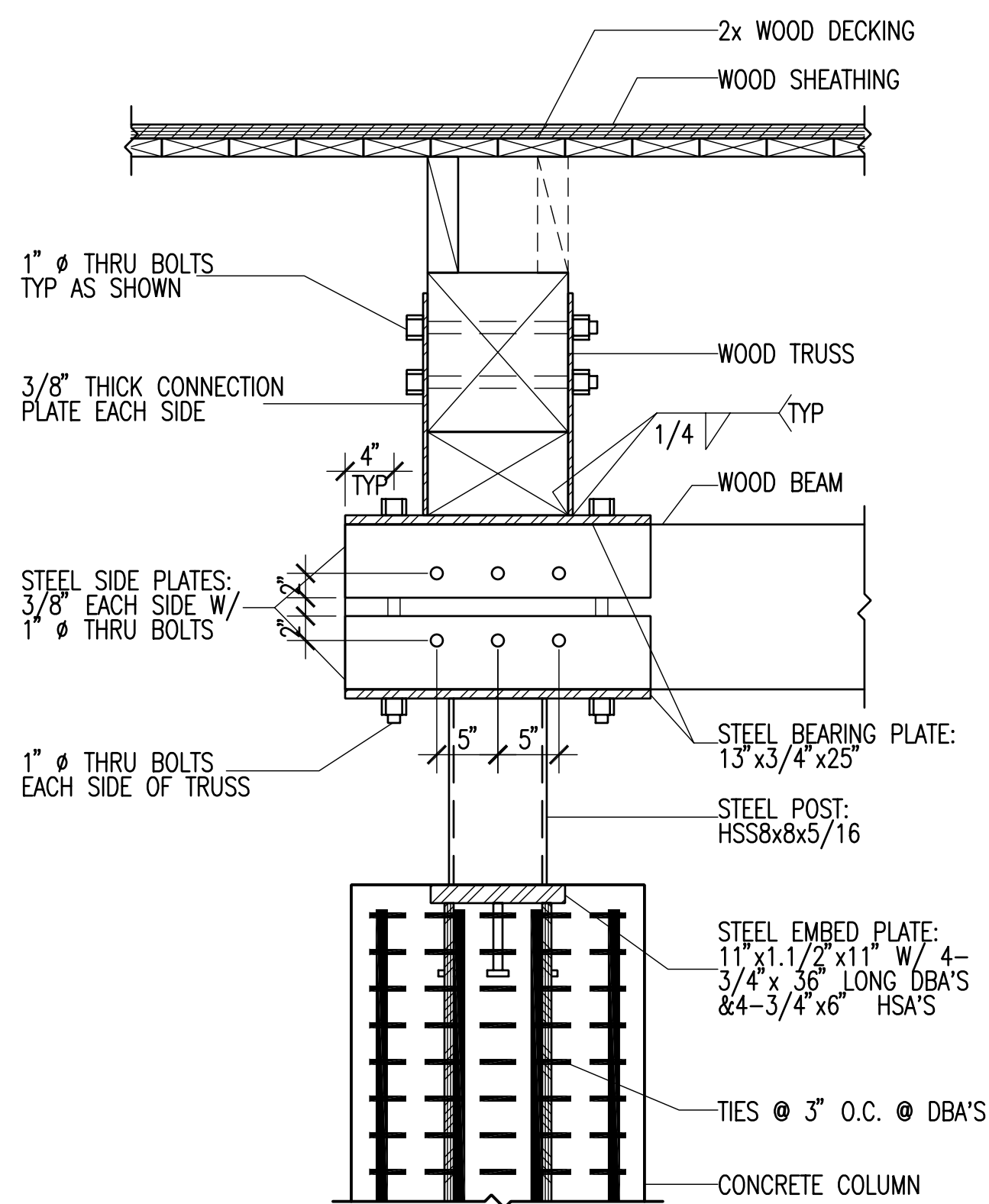
**C2** TYPICAL WOOD TRUSS CONNECTION AT CANOPY TRUSS  
SF203 NO SCALE  
2005-012A/SF203/C2



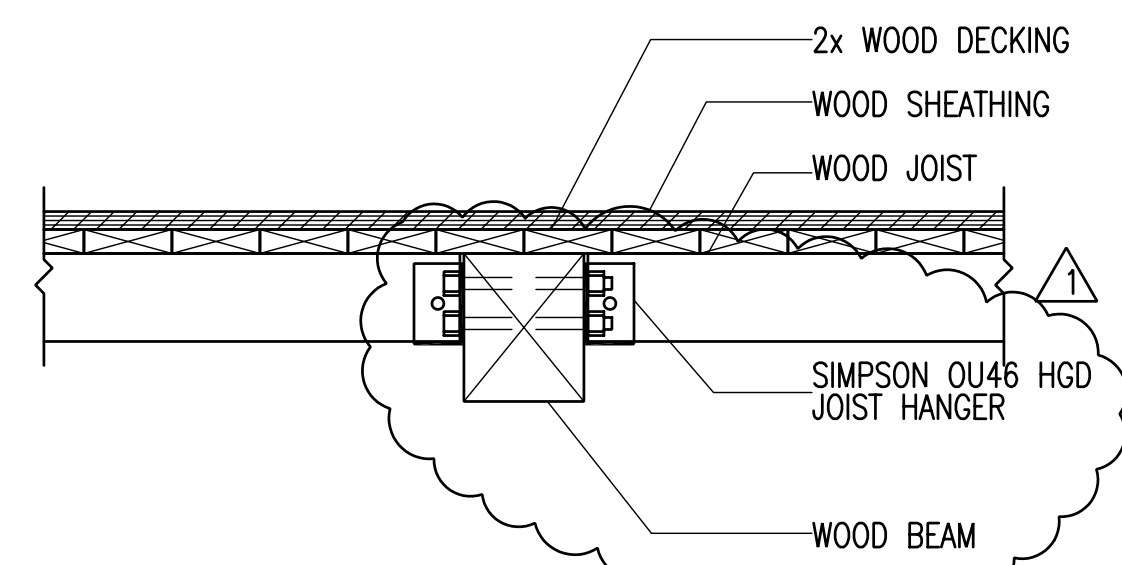
**C4** TYPICAL WOOD TRUSS CONNECTION AT CONCRETE COLUMN  
SF203 NO SCALE  
2005-012A/SF203/C4



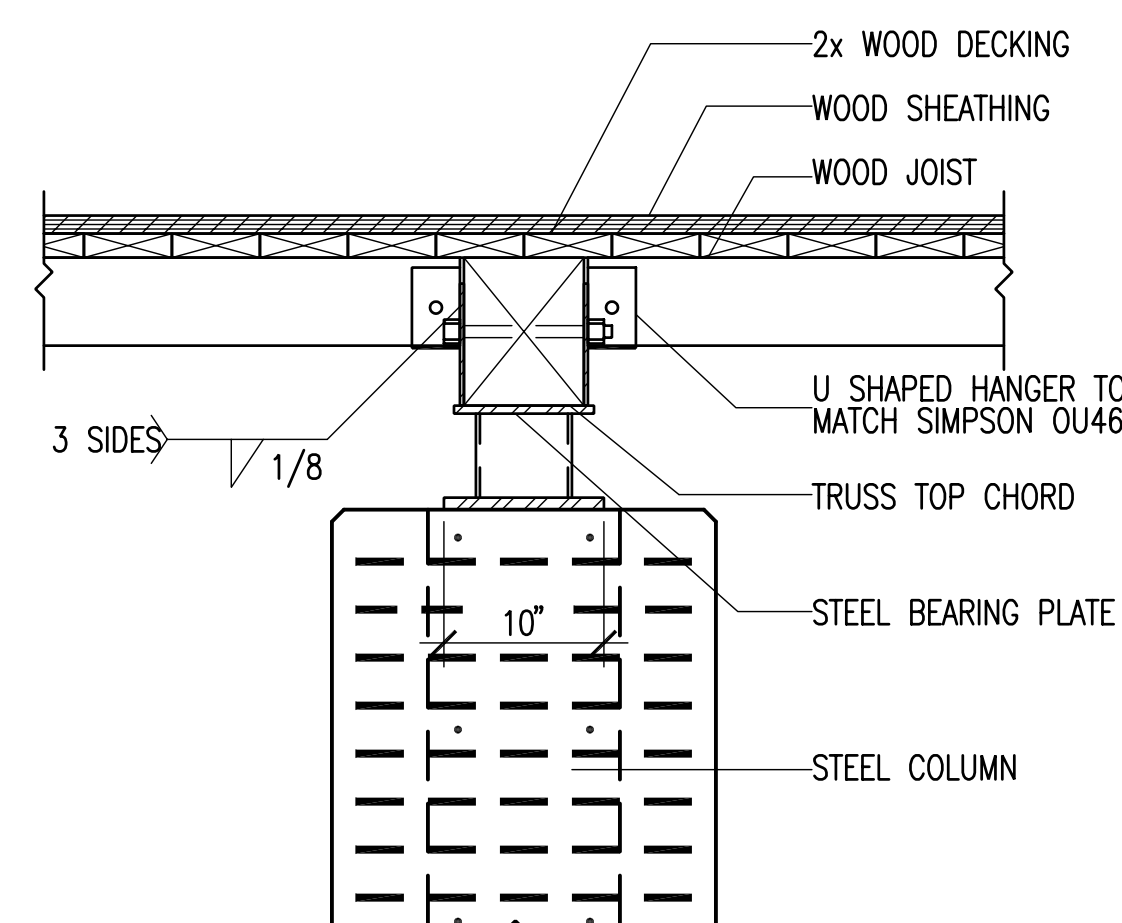
**C5** TYPICAL WOOD TRUSS CONNECTION AT CONCRETE WALL  
SF203 NO SCALE  
2005-012A/SF203/C5



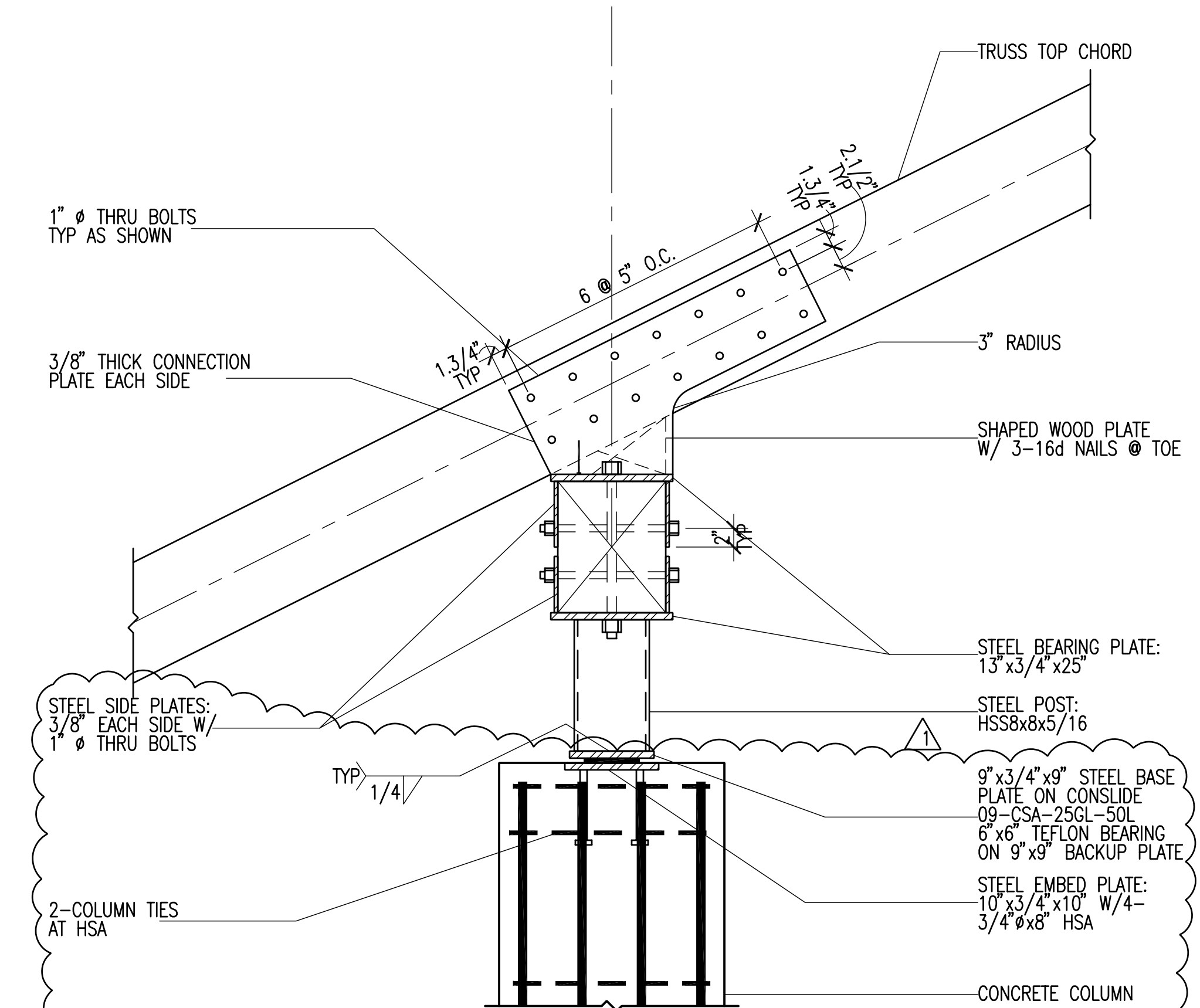
**A1** TYPICAL WOOD TRUSS AT STEEL/ CONCRETE COLUMN  
SF203 NO SCALE  
2005-012A/SF203/A1



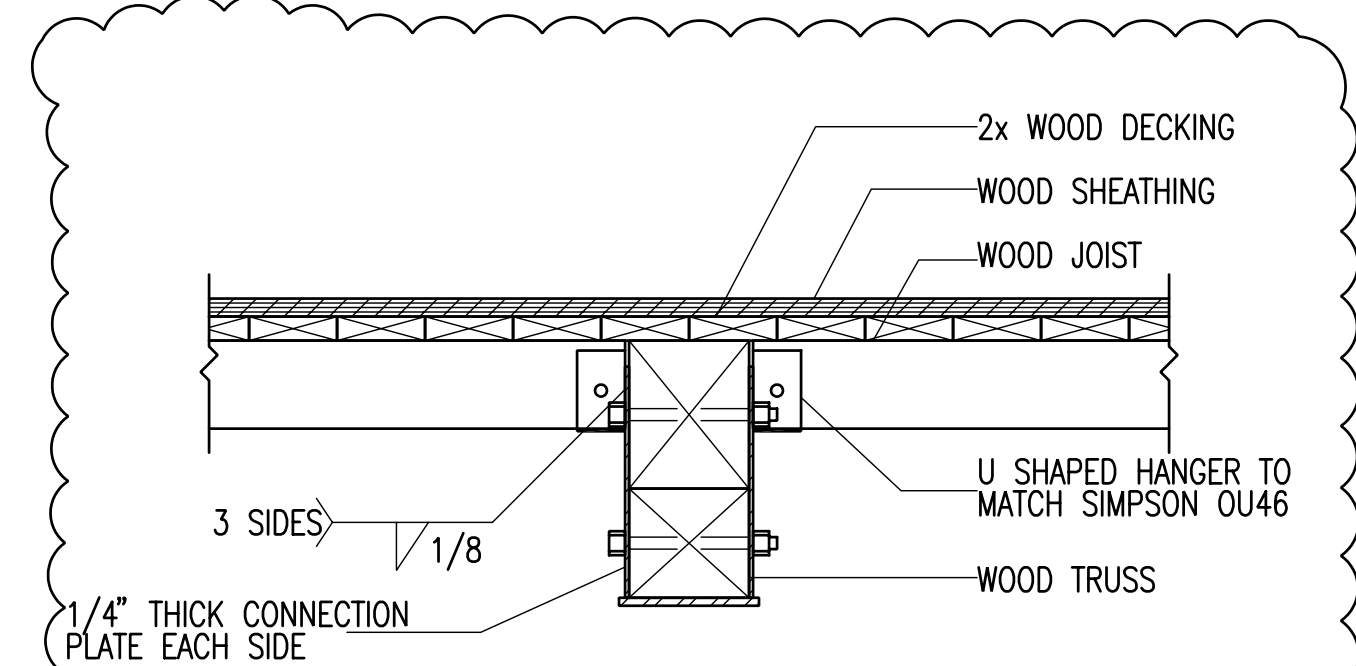
**B2** TYPICAL WOOD JOIST CONNECTION AT CANOPY TRUSS  
SF203 NO SCALE  
2005-012A/SF203/B2



**A2** TYPICAL WOOD JOIST CONNECTION AT CANOPY TRUSS  
SF203 NO SCALE  
2005-012A/SF203/A1



**A4** TYPICAL WOOD TRUSS AT STEEL/CONCRETE COLUMN  
SF203 NO SCALE  
2005-012A/SF203/A4



**A5** TYPICAL WOOD JOIST CONNECTION AT CANOPY TRUSS  
SF203 NO SCALE  
2005-012A/SF203/A5

DATE	STATUS
3.28.2006	CD
4.05.2006	ADDENDUM #1
9.2006	RECD DWGS

PROJECT NUMBER	4100
CAD DWG FILE	SB6202.dwg
DRAWN BY	DAM/PEA
CHECKED BY	CP/JTM

SCALE NONE

**TRUSS  
FRAMING  
DETAILS**

SF203

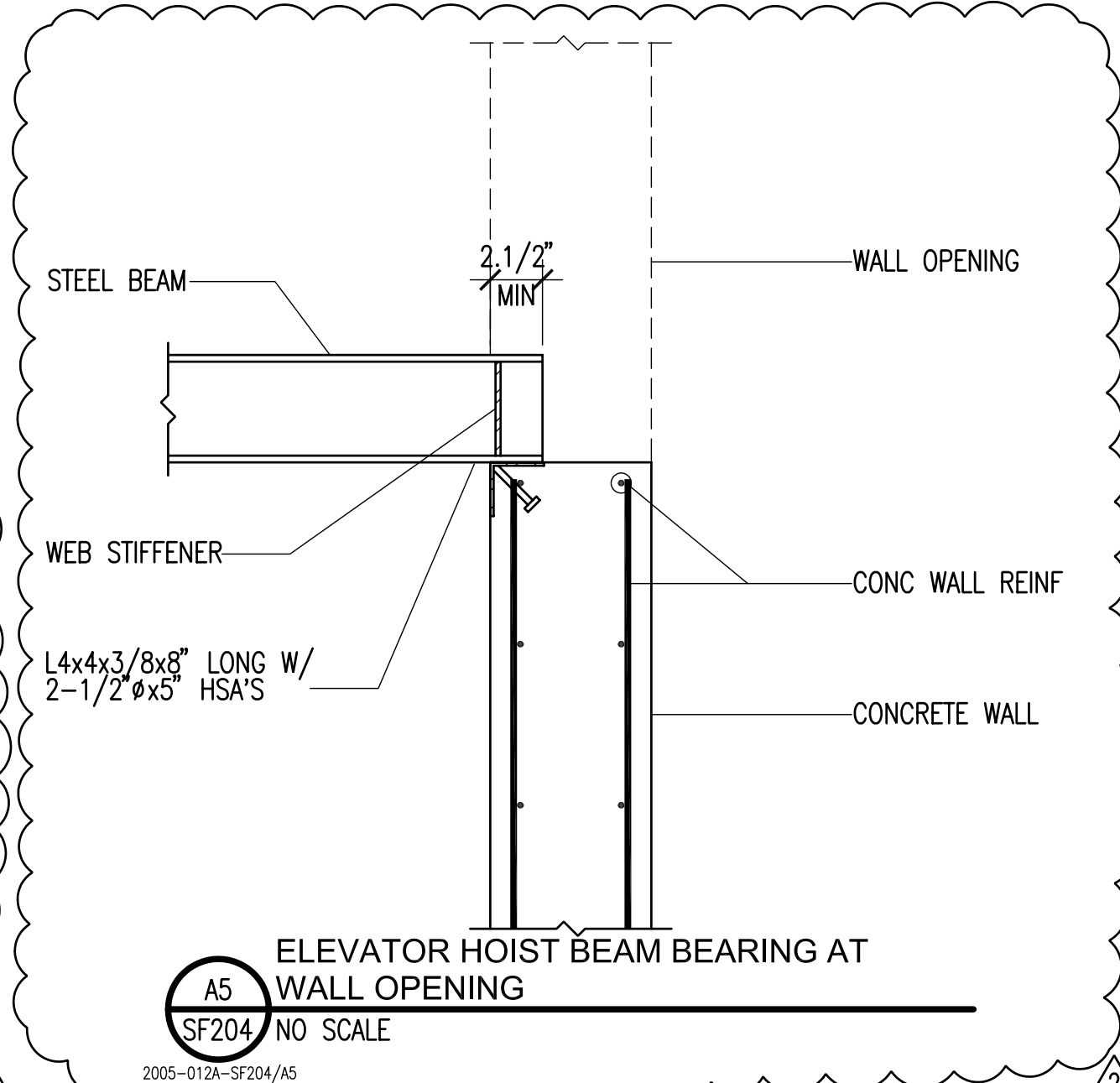
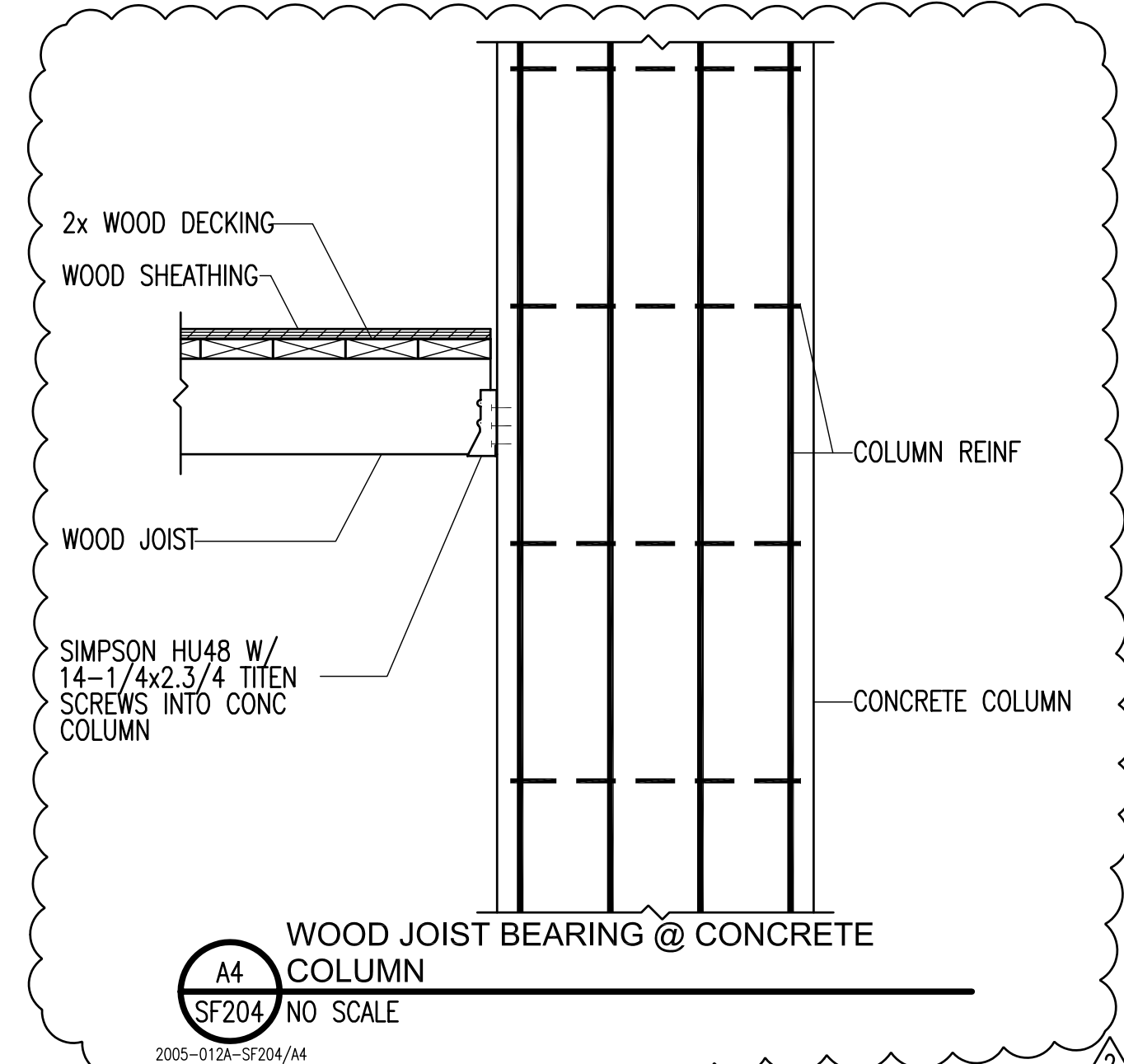
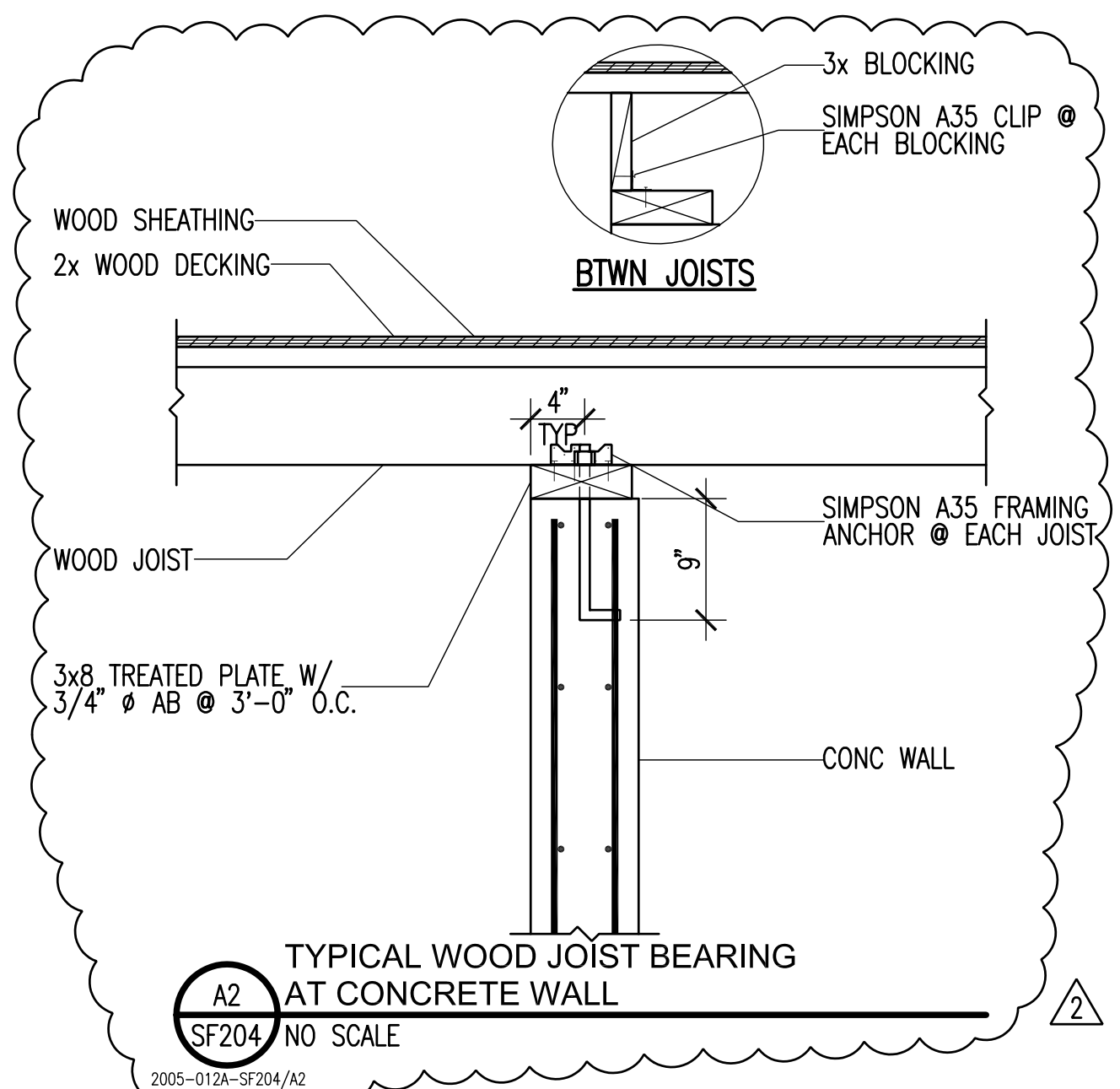
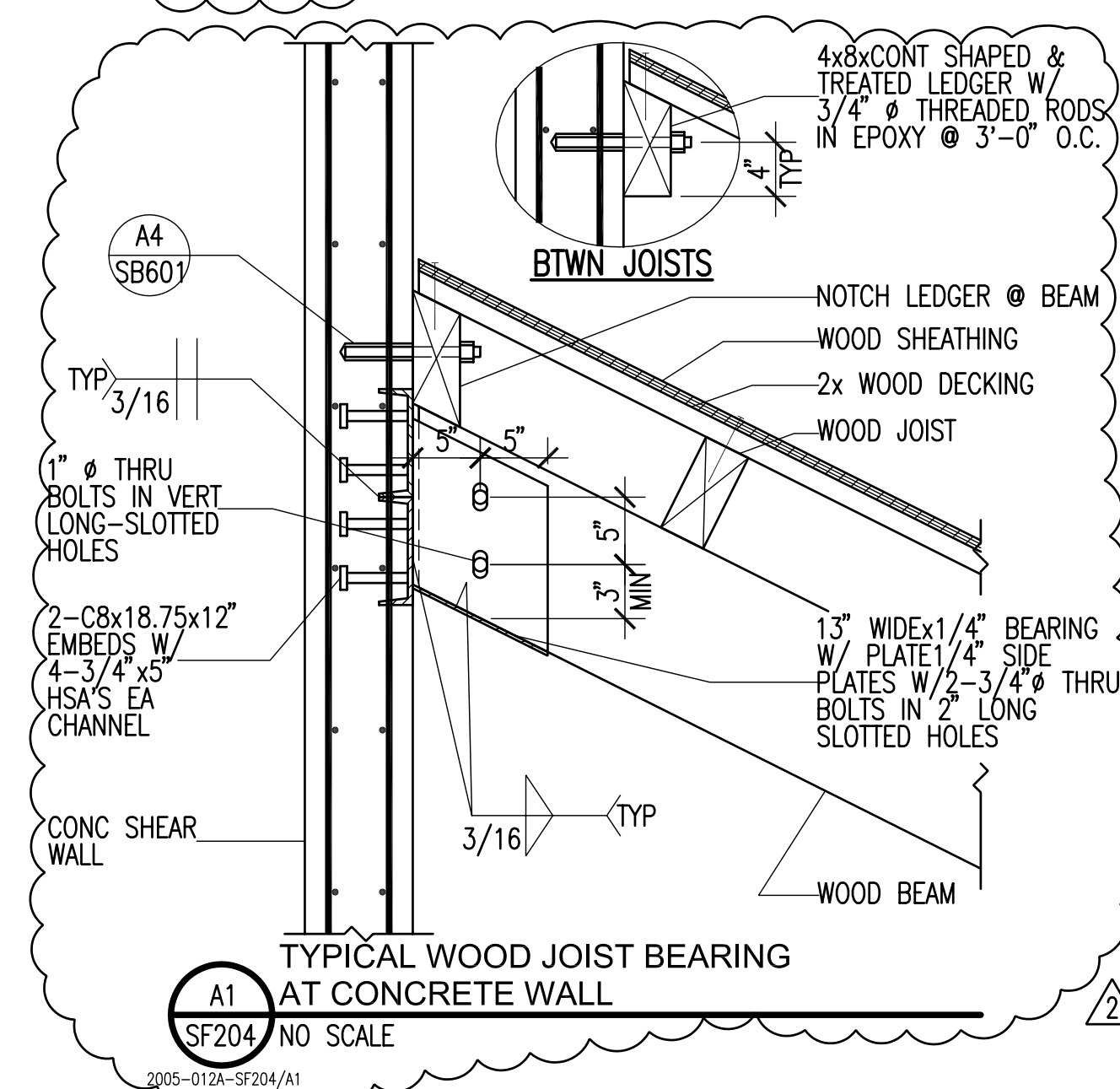
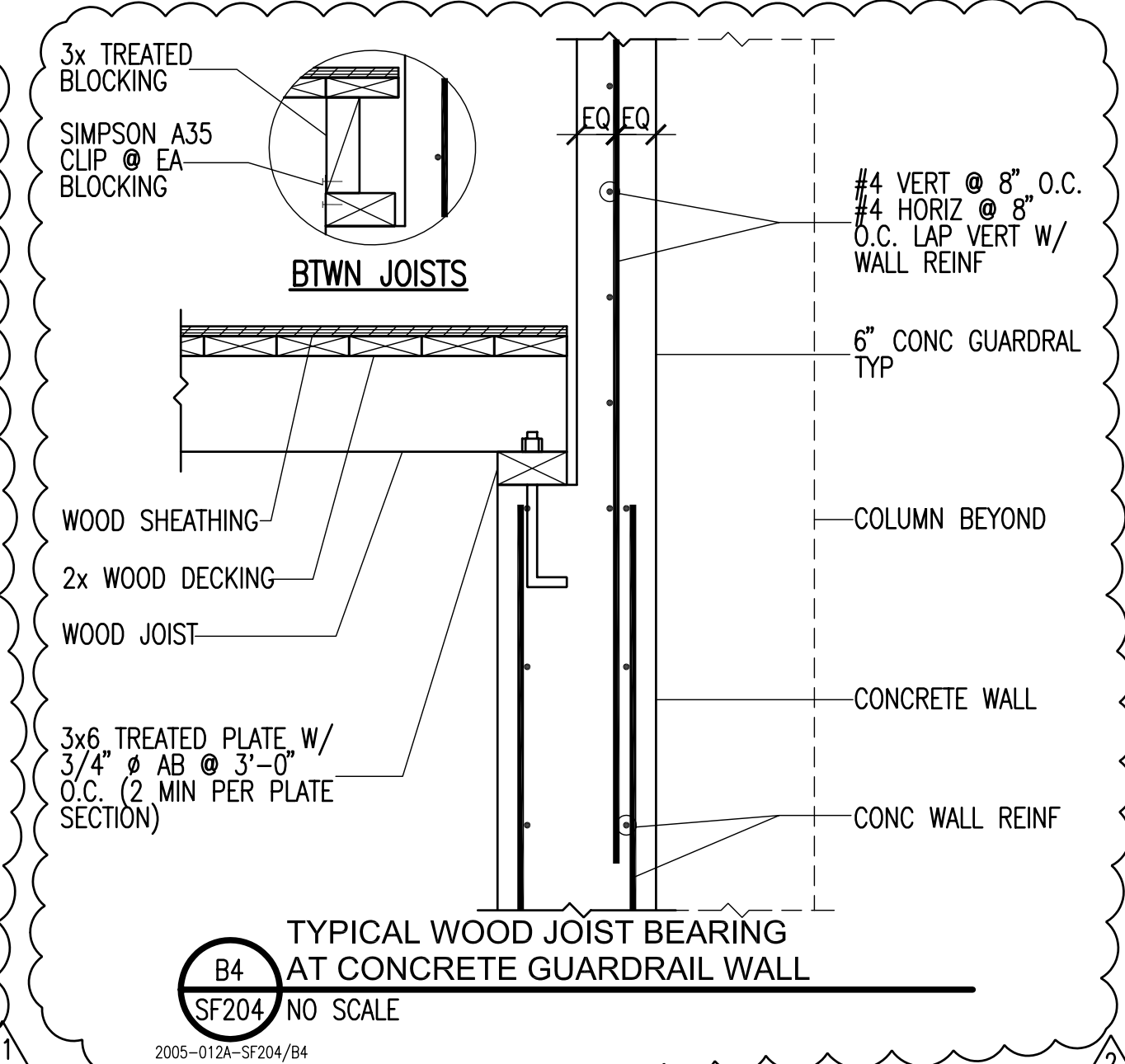
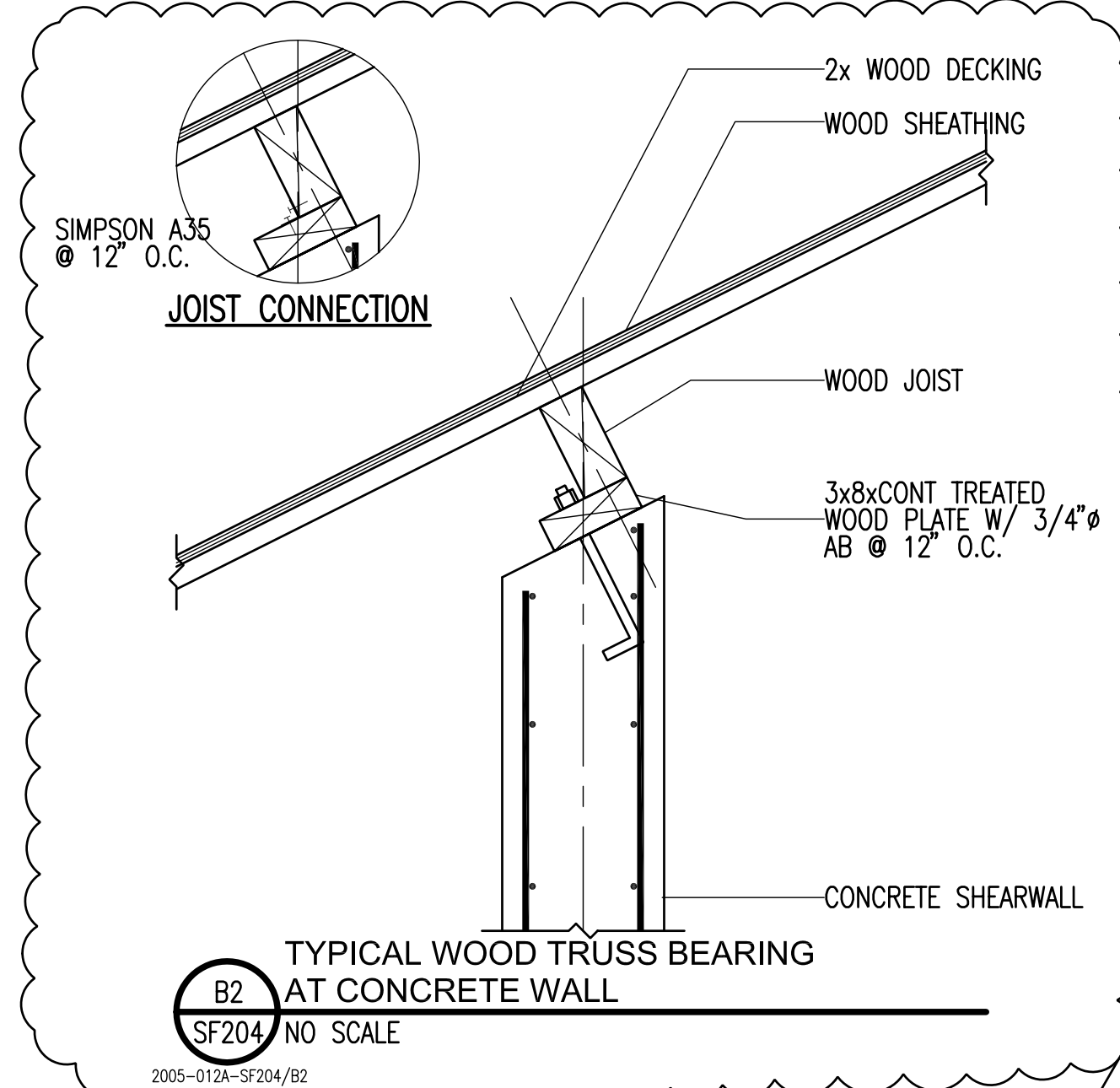
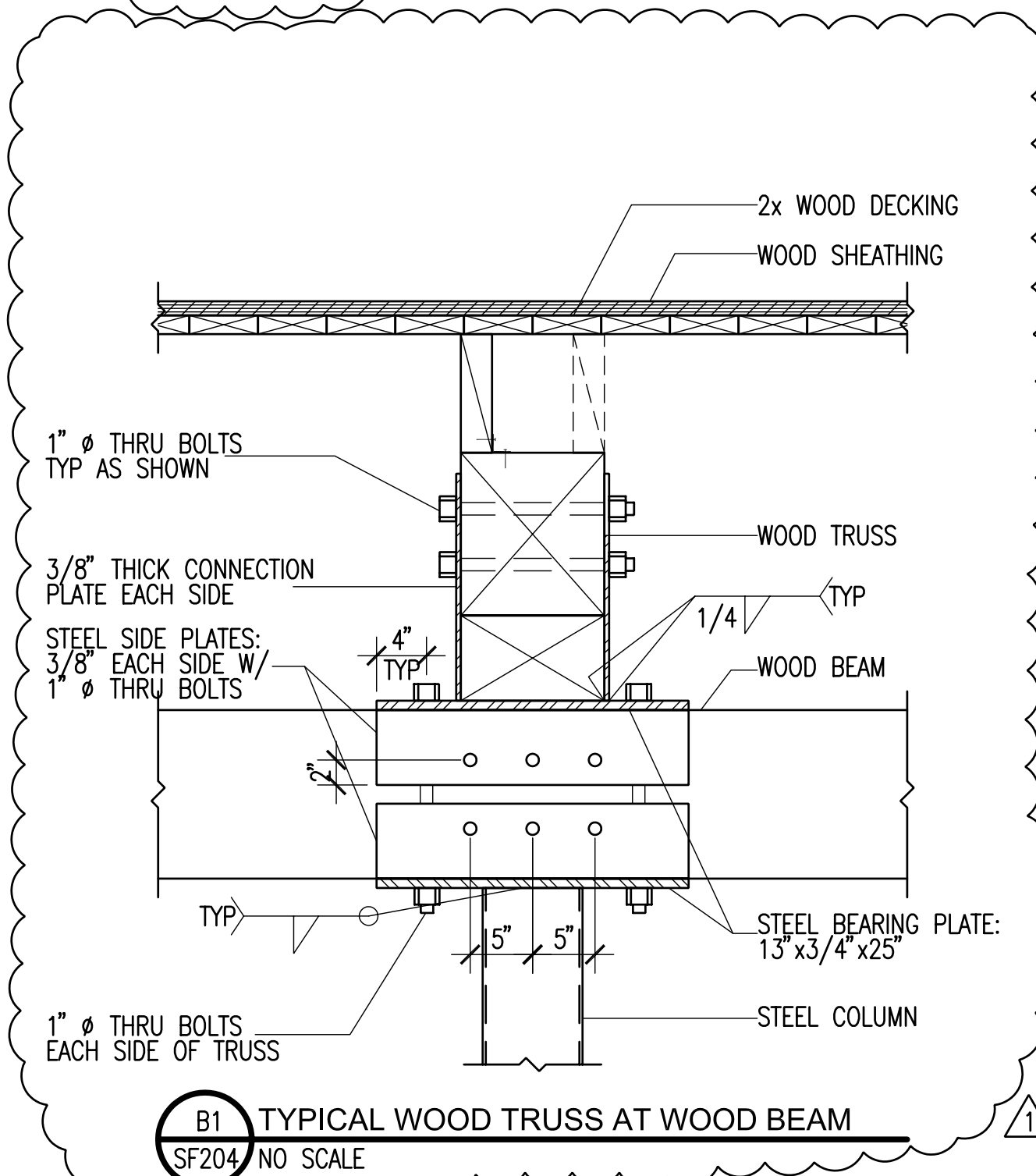
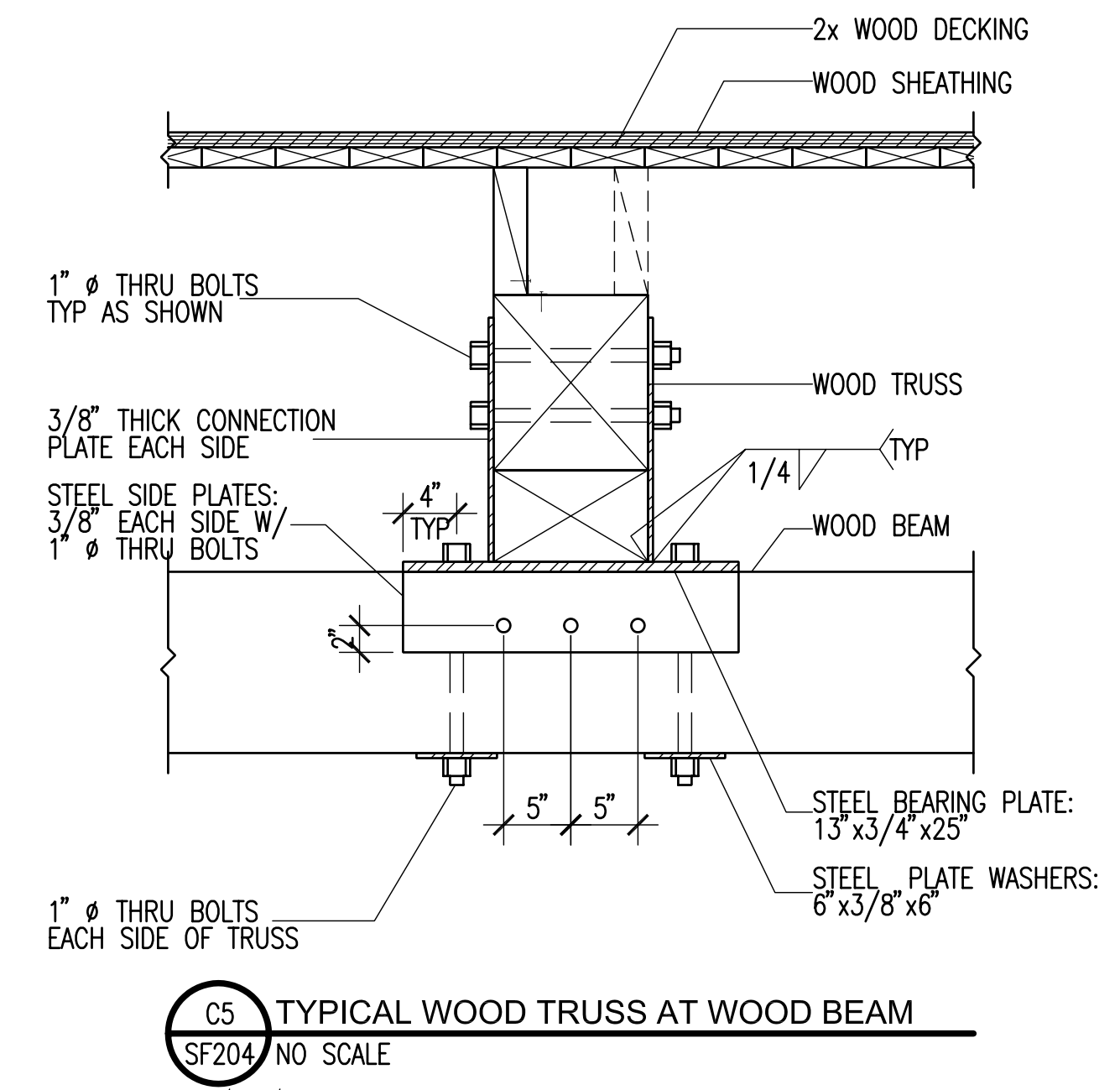
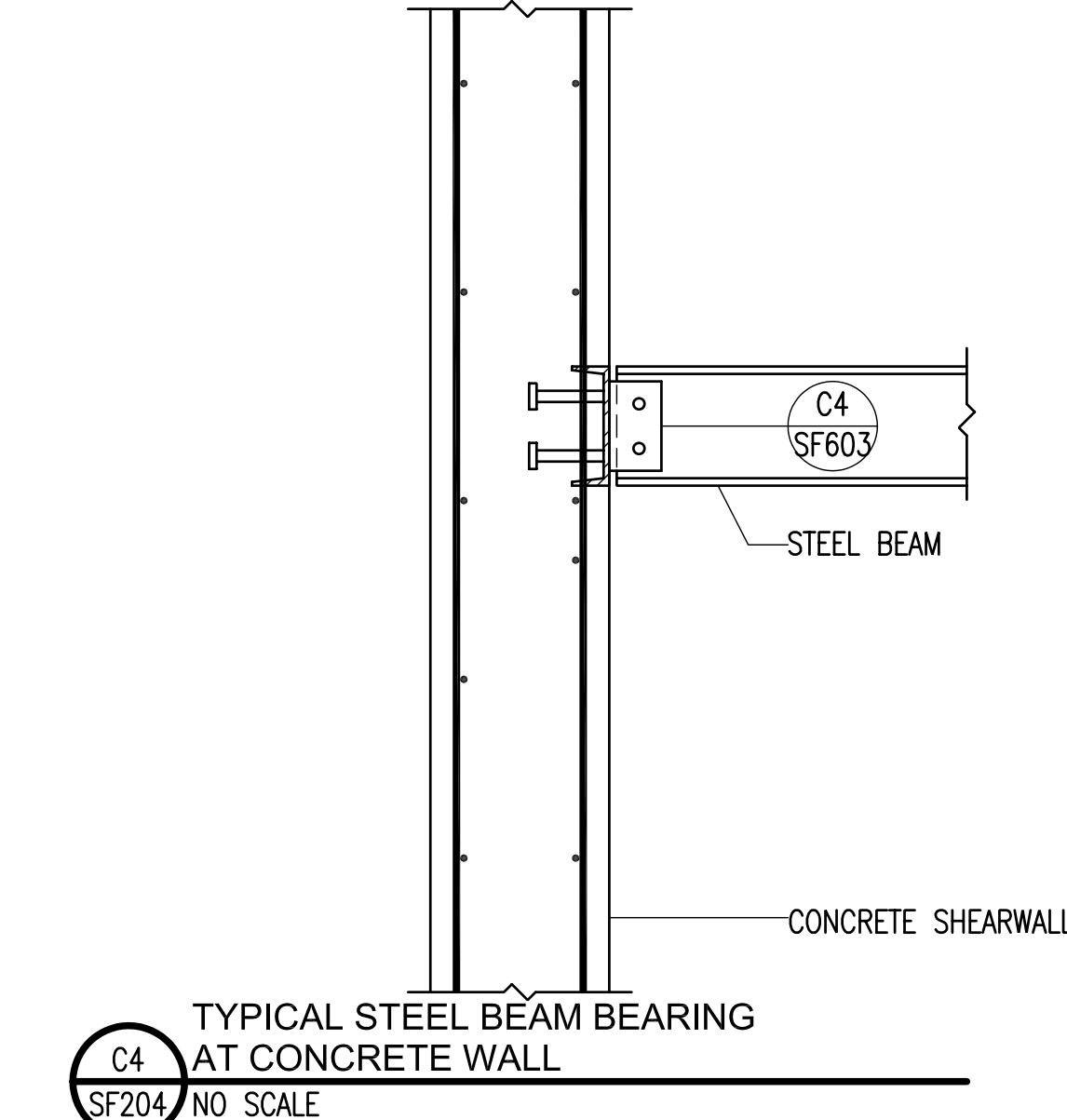
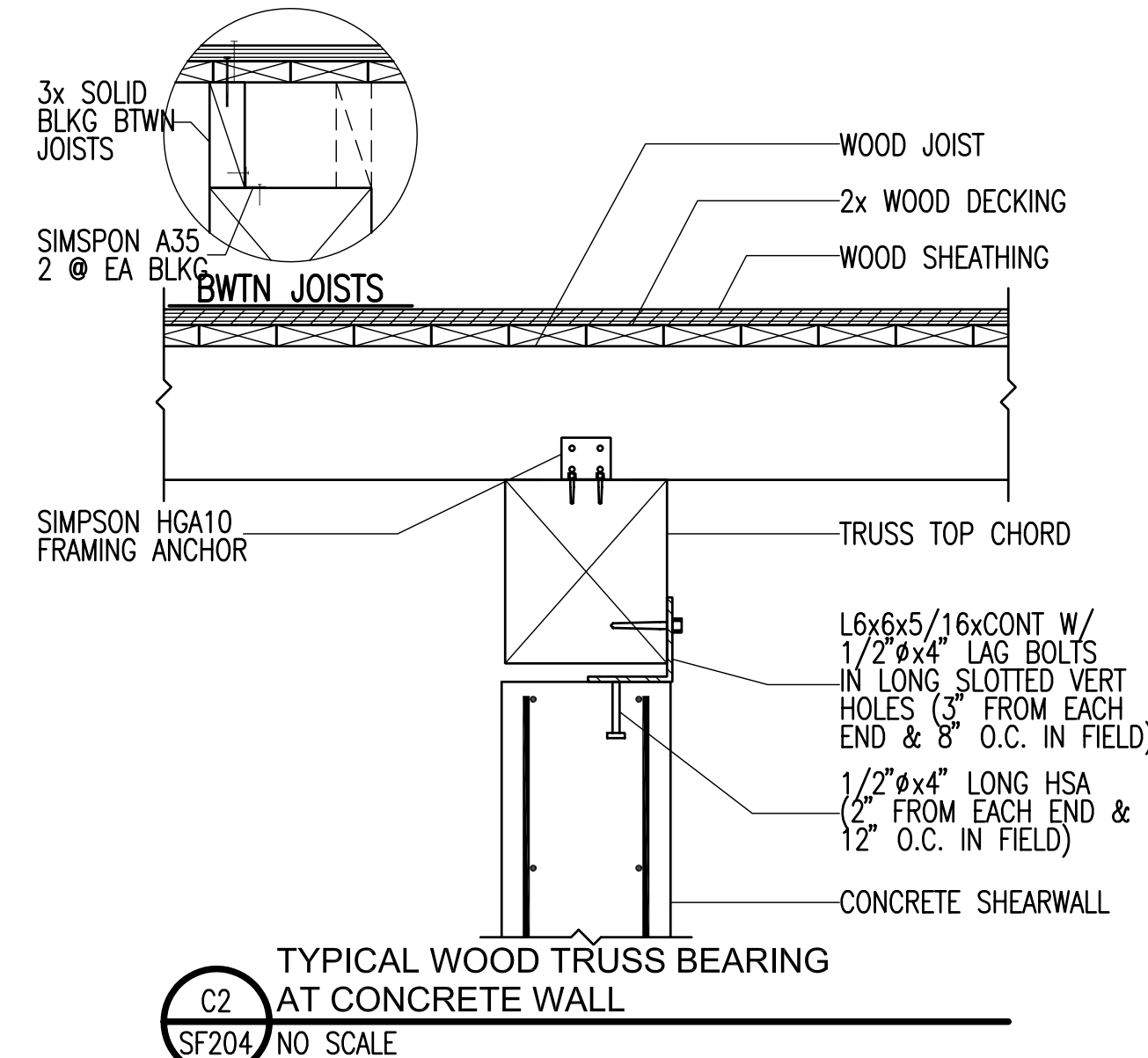
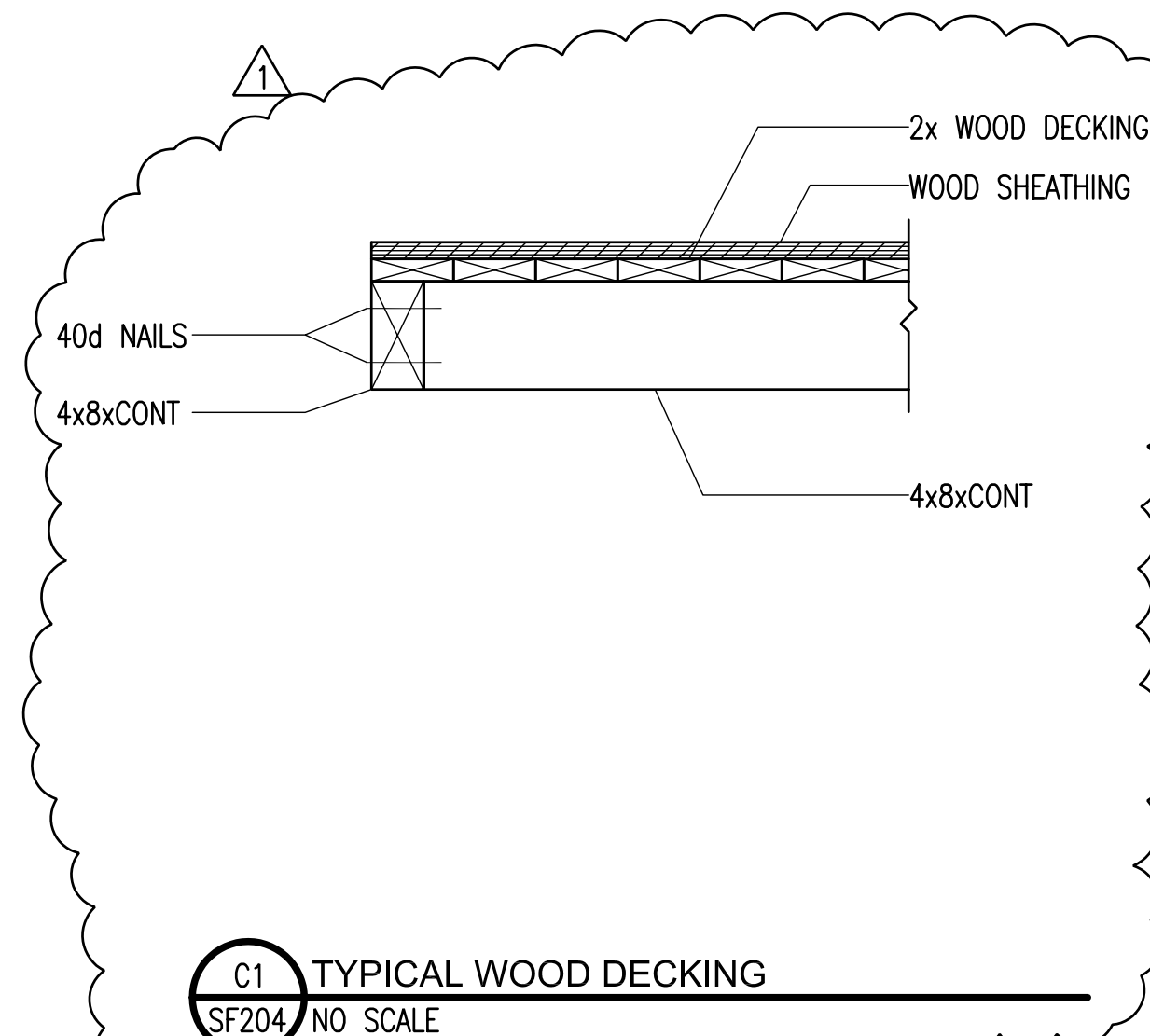
DATE	STATUS
3.28.2006	CD
4.05.2006	ADDENDUM #1
9.2006	RECD DWGS

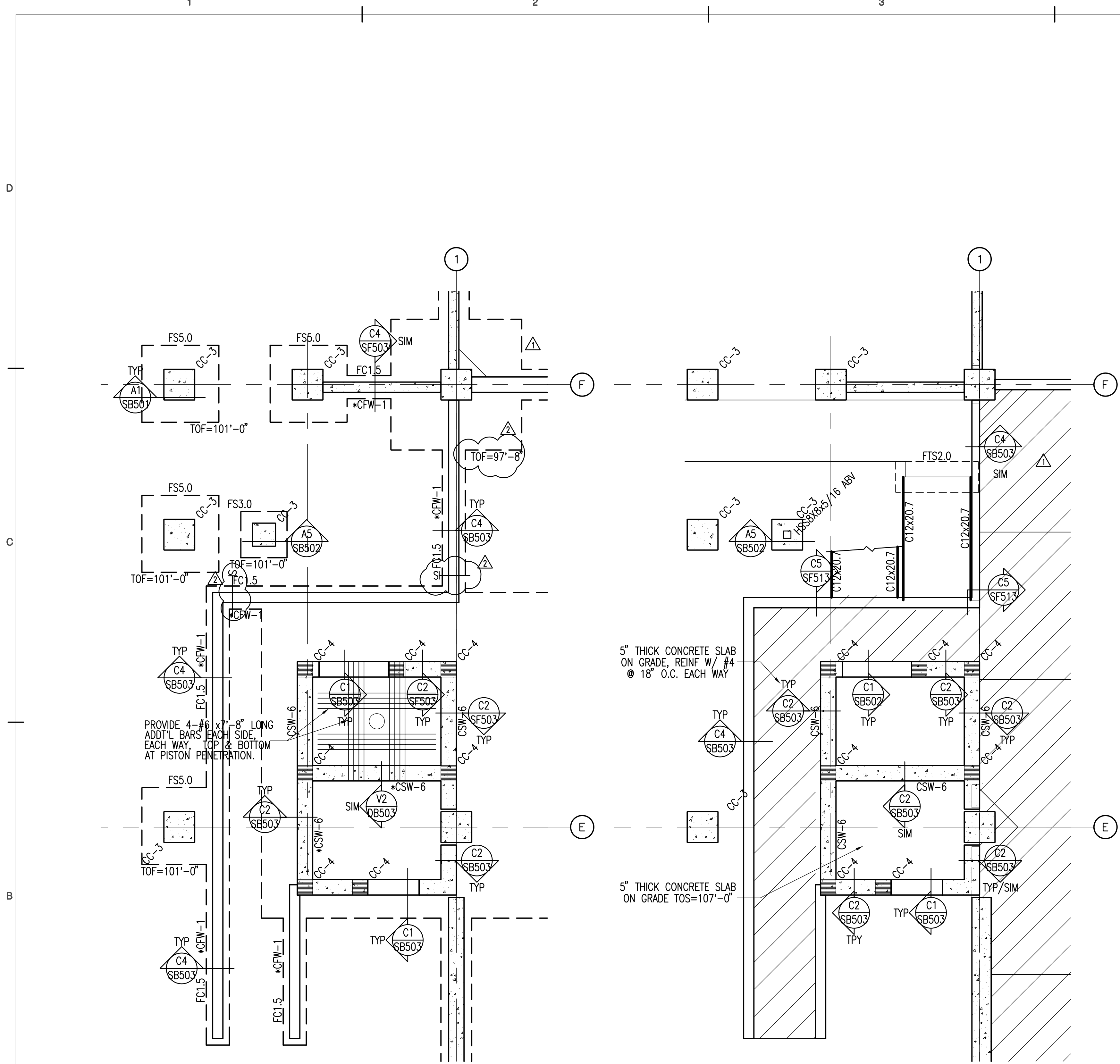
PROJECT NUMBER	4100
CAD DWG FILE	SB204.dwg
DRAWN BY	DAM/REA
CHECKED BY	CP/JTM

SCALE NONE

**TRUSS  
FRAMING  
DETAILS**

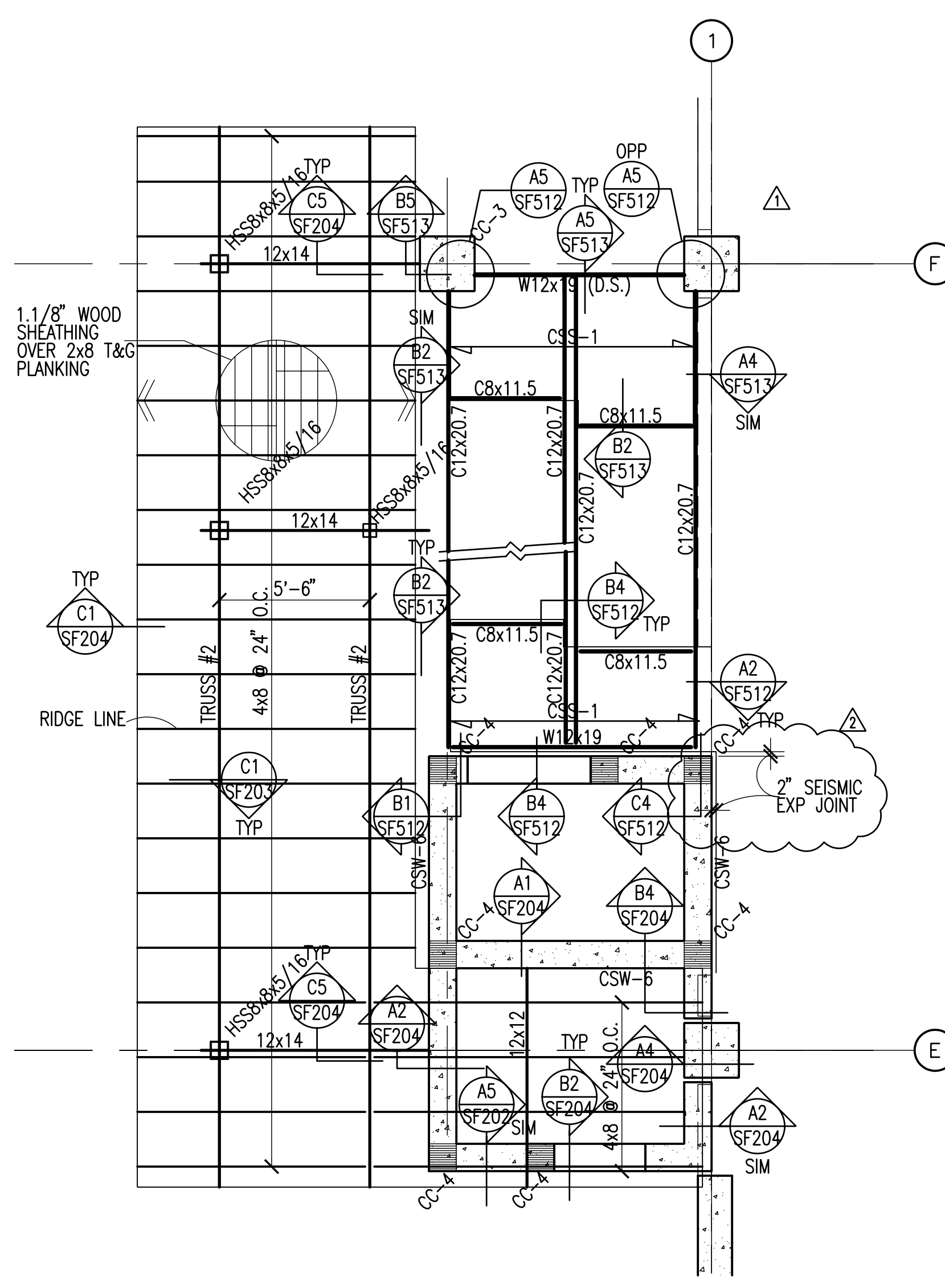
SF204





**A1** NORTH STAIR FOOTING & FOUNDATION PLAN  
SCALE: 1/4" = 1'-0"

**A3** NORTH STAIR LEVEL 2 FRAMING PLAN  
SCALE: 1/4" = 1'-0"



**B4** NORTH STAIR LEVEL 3 FRAMING PLAN  
SCALE: 1/4" = 1'-0"

**STAIR FRAMING PLAN LEGEND**

- CONCRETE WALL
- CONCRETE LINTEL IN CONCRETE WALL
- CONCRETE COLUMN IN CONCRETE WALL
- CONCRETE COLUMN
- CONCRETE JAMB COLUMN POURED MONOLITHIC WITH CONCRETE WALL
- CONCRETE SUSPENDED SLAB
- STEEL COLUMN - TUBE
- MOMENT CONNECTION
- STEEL BEAM OR GIRDER
- STEEL JOIST OR PURLIN
- GLU-LAM, MICRO-LAM OR WOOD BEAM
- JOIST OR TRUSS

**STAIR FRAMING PLAN NOTES**

1. SEE SHEET SF201 FOR TRUSS ELEVATIONS AND DETAILS.
2. ALL EXTERIOR EXPOSED STRUCTURAL STEEL SHALL BE GALVANIZED, TYPICAL.
3. USE A325C BOLTS IN ALL CONNECTIONS OF BEAMS TO COLUMNS AT DRAG STRUTS (D.S.), TYPICAL.
4. SEE SHEET SF201 FOR TRUSS ELEVATIONS.



Bogue Building  
730 Pacific Avenue  
Salt Lake City  
Utah 84104  
801.521.6186 tel  
801.539.1916 fax  
www.ffkr.com

RECORD DRAWINGS  
INFORMATION PROVIDED  
BY CONTRACTOR  
SEPTEMBER 2006

China Bridge Parking Expansion  
Park City UT  
Construction Documents

DATE	STATUS
3.28.2006	CD
4.05.2006	ADDENDUM #1
6.26.2006	SS#1

PROJECT NUMBER 4100  
CAD DWG FILE SF401.DWG  
DRAWN BY DAM/REA  
CHECKED BY CP/UTM

SCALE NONE

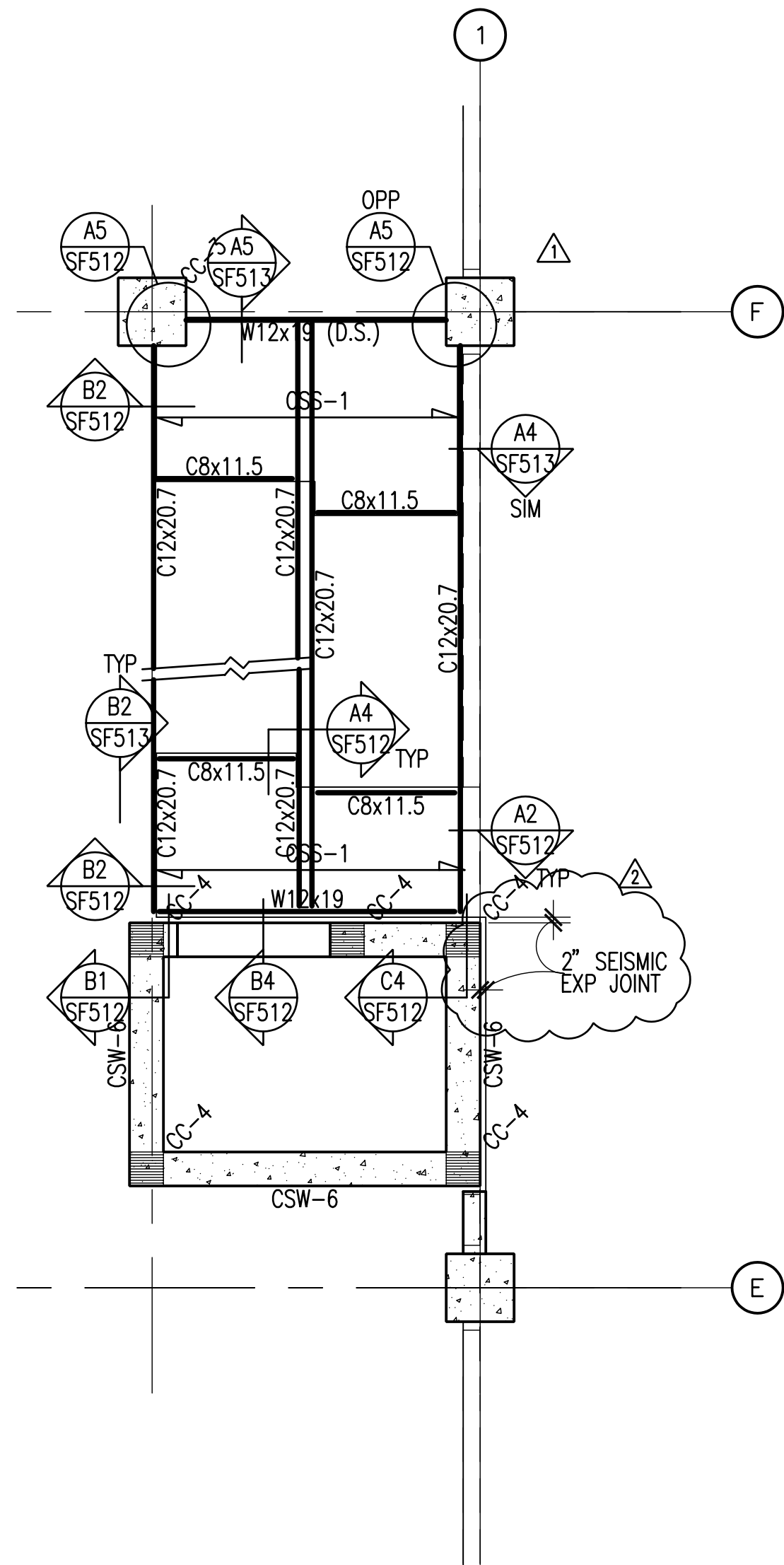
ENLARGED  
STAIR  
FRAMING  
PLANS

SF401

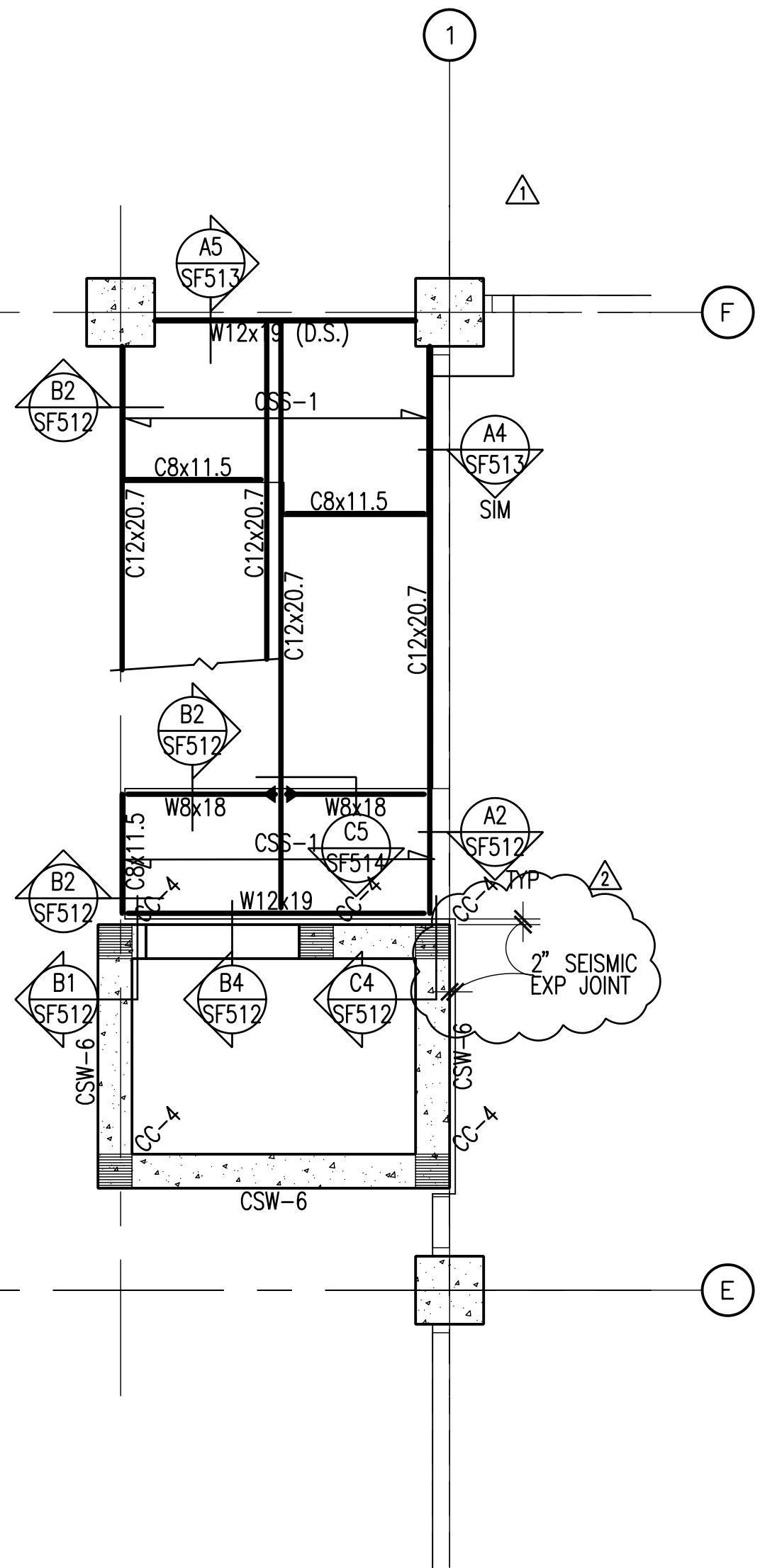


1 2 3 4 5

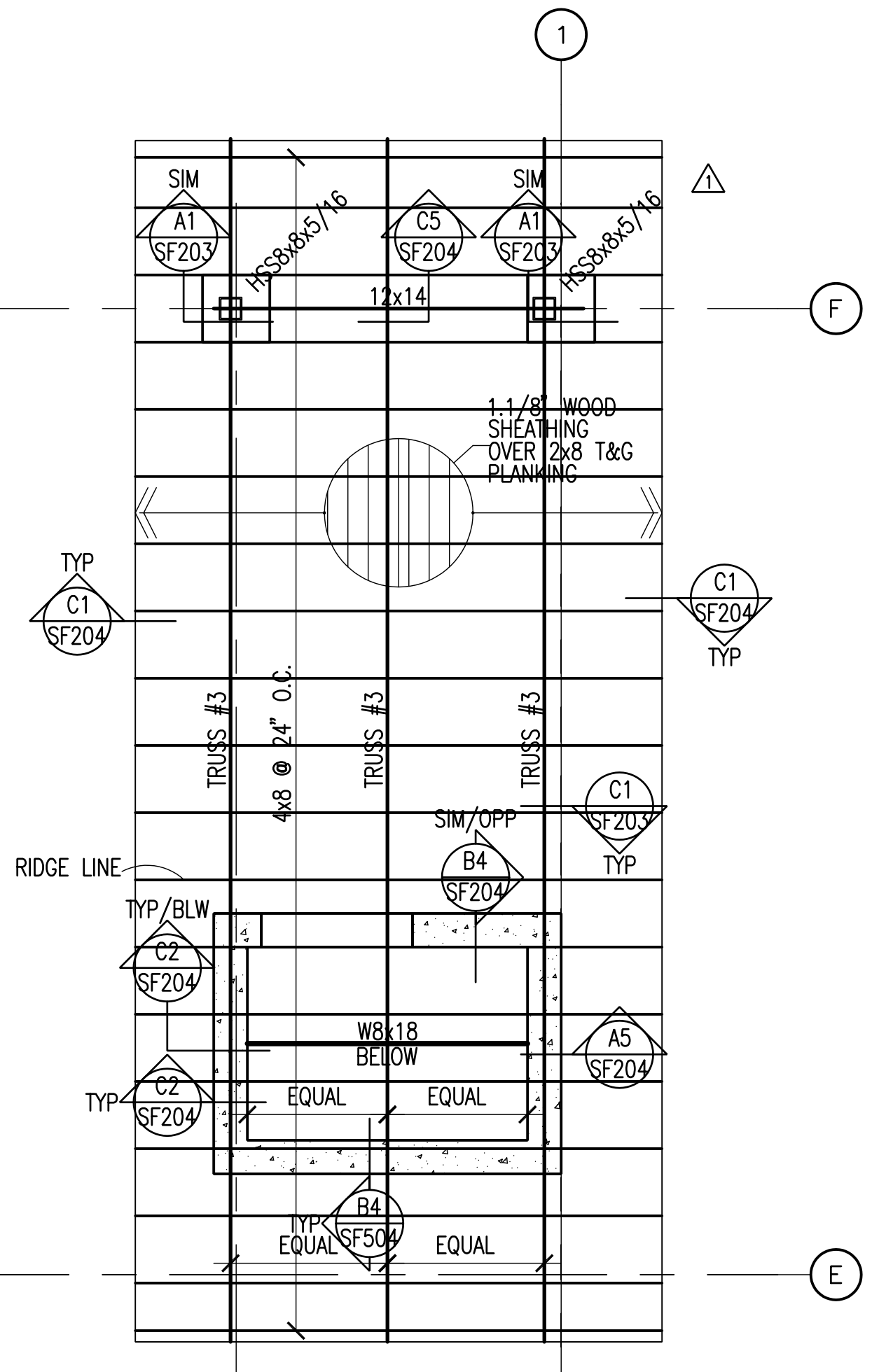
D  
C  
B  
A



**B1** NORTH STAIR LEVEL 4  
FRAMING PLAN  
SCALE: 1/4" = 1'-0"



**B3** NORTH STAIR LEVEL 5  
FRAMING PLAN  
SCALE: 1/4" = 1'-0"



**B4** NORTH STAIR ROOF  
FRAMING PLAN  
SCALE: 1/4" = 1'-0"

### STAIR FRAMING PLAN LEGEND

- CONCRETE WALL
- CONCRETE LINTEL IN CONCRETE WALL
- CONCRETE COLUMN IN CONCRETE WALL
- CONCRETE COLUMN
- CONCRETE JAMB COLUMN POURED MONOLITHIC WITH CONCRETE WALL
- CONCRETE SUSPENDED SLAB
- STEEL COLUMN - TUBE
- MOMENT CONNECTION
- STEEL BEAM OR GIRDER
- STEEL JOIST OR PURLIN
- GLU-LAM, MICRO-LAM OR WOOD BEAM
- JOIST OR TRUSS

### STAIR FRAMING PLAN NOTES

1. SEE SHEET SF201 FOR TRUSS ELEVATIONS AND DETAILS.
2. ALL EXTERIOR EXPOSED STRUCTURAL STEEL SHALL BE GALVANIZED, TYPICAL.
3. USE A325SC BOLTS IN ALL CONNECTIONS OF BEAMS TO COLUMNS AT DRAG STRUTS (D.S.), TYPICAL.
4. SEE SHEET SF201 FOR TRUSS ELEVATIONS.

**FFKR**  
Architects

Bogue Building  
730 Pacific Avenue  
Salt Lake City  
Utah 84104

801.521.6186 tel  
801.539.1916 fax  
www.ffkr.com

---

RECORD DRAWINGS  
INFORMATION PROVIDED  
BY CONTRACTOR  
SEPTEMBER 2006

---

China Bridge Parking Expansion  
Park City UT  
Construction Documents

---

DATE	STATUS
3.28.2006	CD
4.05.2006	ADDENDUM #1
5.25.2006	SS#1

---

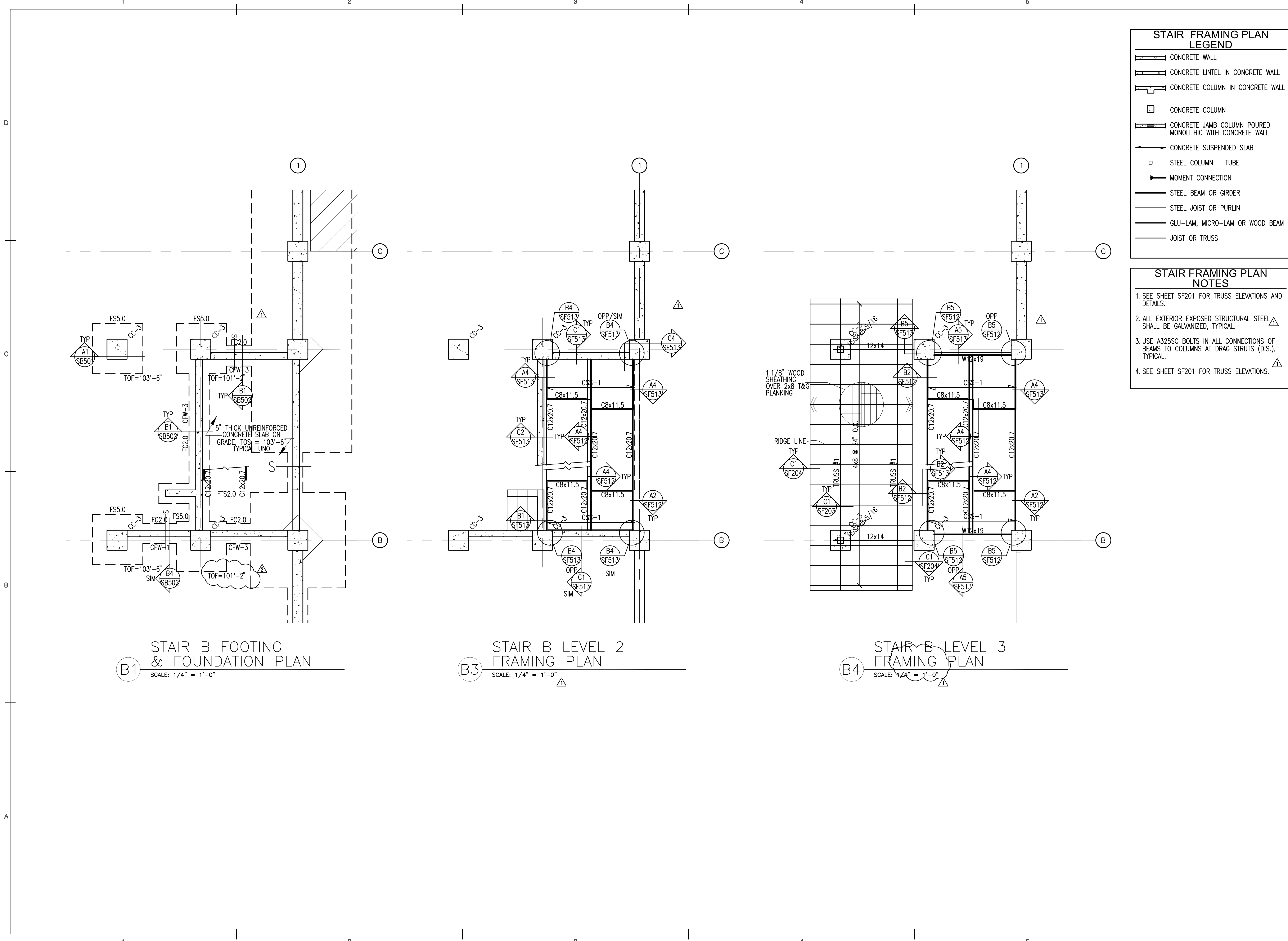
PROJECT NUMBER: 4100  
CAD DWG FILE: SF402.DWG  
DRAWN BY: DAW/REA  
CHECKED BY: CP/UTM

---

SCALE: NONE

**ENLARGED  
STAIR  
FRAMING  
PLANS**

**SF402**



### STAIR FRAMING PLAN LEGEND

- CONCRETE WALL
- CONCRETE LINTEL IN CONCRETE WALL
- CONCRETE COLUMN IN CONCRETE WALL
- CONCRETE COLUMN
- CONCRETE JAMB COLUMN POURED MONOLITHIC WITH CONCRETE WALL
- CONCRETE SUSPENDED SLAB
- STEEL COLUMN - TUBE
- MOMENT CONNECTION
- STEEL BEAM OR GIRDER
- STEEL JOIST OR PURLIN
- GLU-LAM, MICRO-LAM OR WOOD BEAM
- JOIST OR TRUSS

- ### STAIR FRAMING PLAN NOTES
1. SEE SHEET SF201 FOR TRUSS ELEVATIONS AND DETAILS.
  2. ALL EXTERIOR EXPOSED STRUCTURAL STEEL SHALL BE GALVANIZED, TYPICAL.
  3. USE A325SC BOLTS IN ALL CONNECTIONS OF BEAMS TO COLUMNS AT DRAG STRUTS (D.S.), TYPICAL.
  4. SEE SHEET SF201 FOR TRUSS ELEVATIONS.



Bogue Building  
730 Pacific Avenue  
Salt Lake City  
Utah 84104  
801.521.6186 tel  
801.539.1916 fax  
www.ffkr.com

RECORD DRAWINGS  
INFORMATION PROVIDED  
BY CONTRACTOR  
SEPTEMBER 2006

China Bridge Parking Expansion  
Park City UT  
Construction Documents

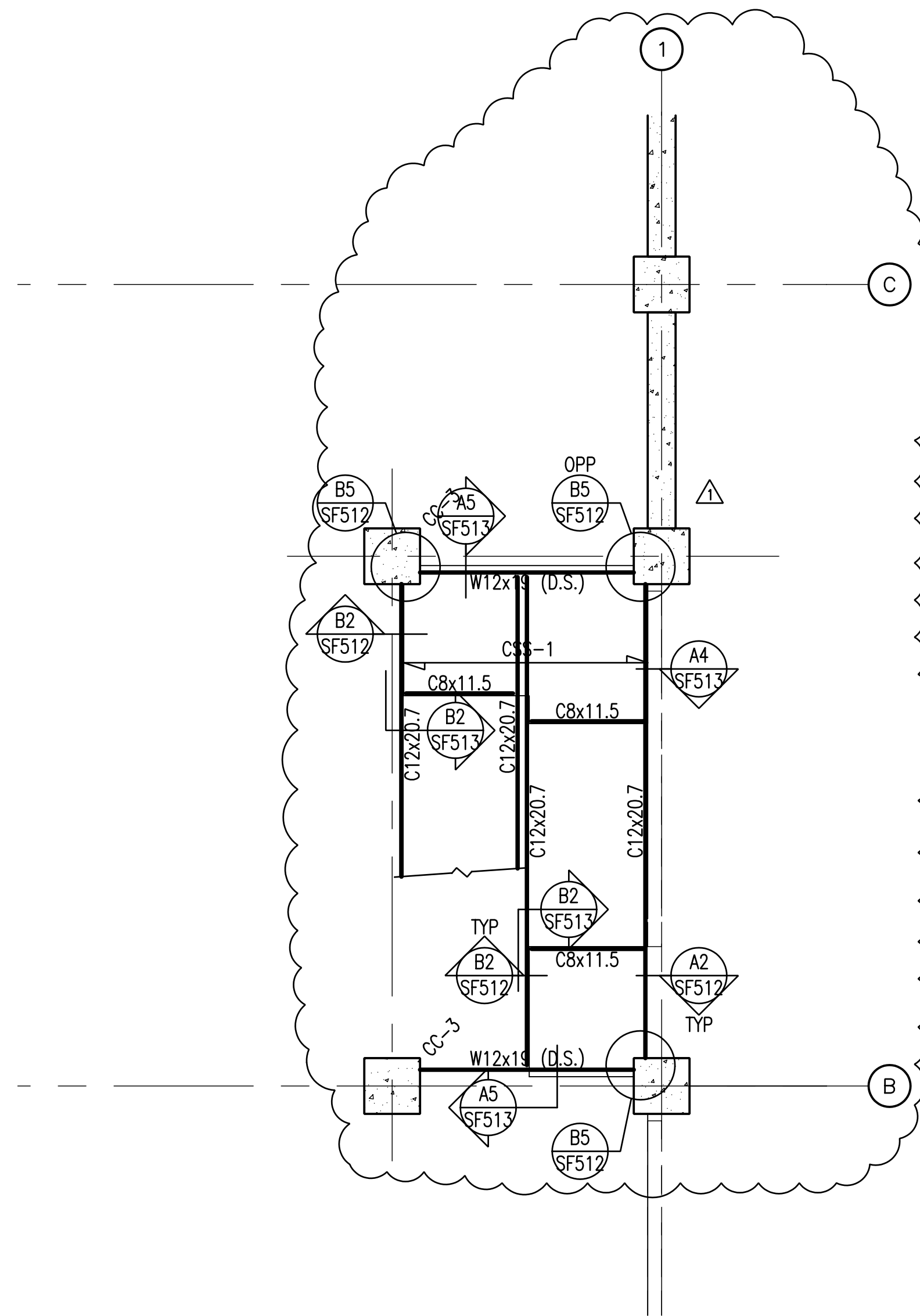
DATE	STATUS
3.28.2006	CD
4.05.2006	ADDENDUM #1
6.26.2006	SS#1

PROJECT NUMBER 4100  
CAD DWG FILE SF403.DWG  
DRAWN BY DAW/REA  
CHECKED BY CP/UTM

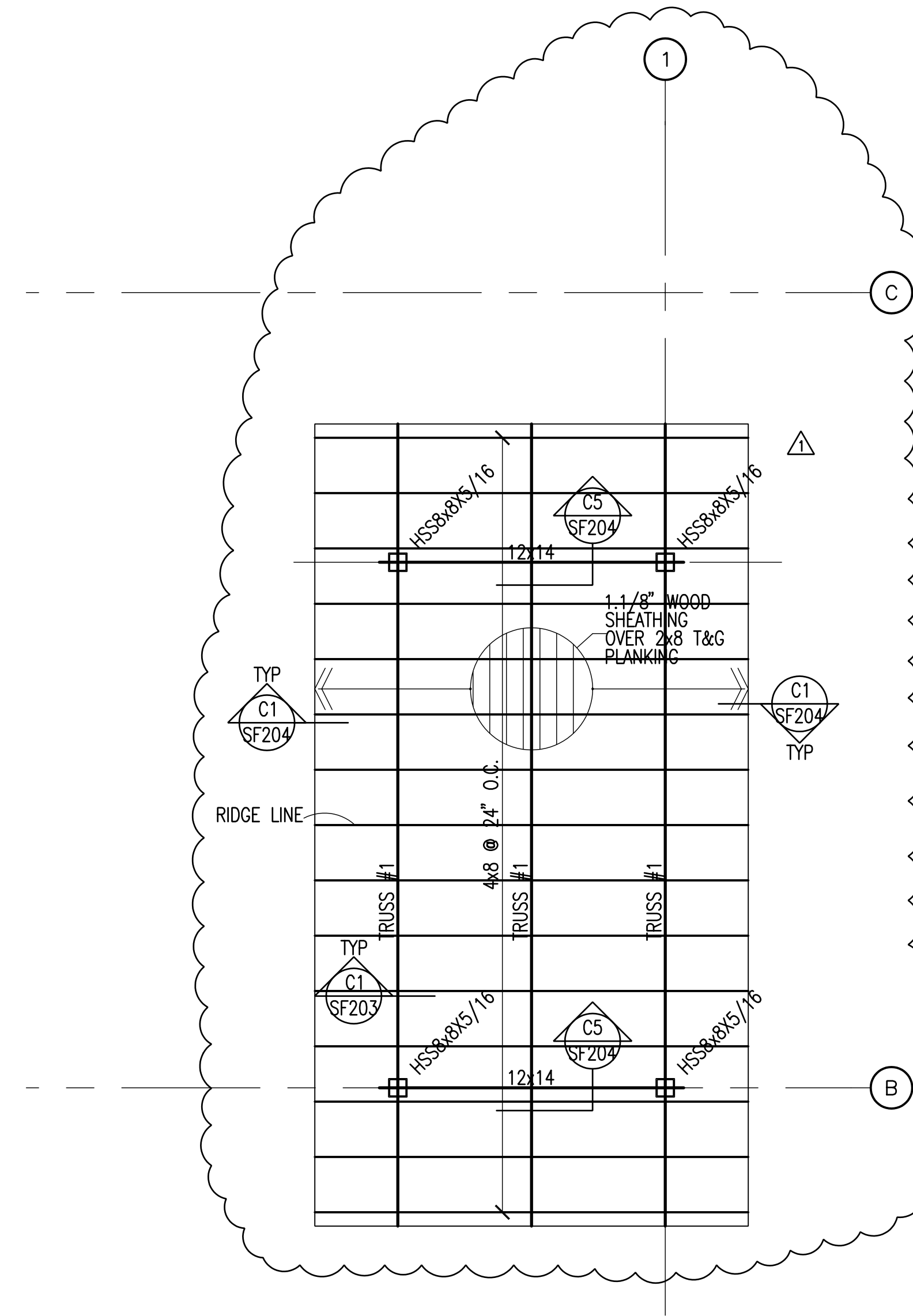
SCALE NONE

ENLARGED  
STAIR  
FRAMING  
PLANS

SF403



**B3** STAIR B LEVEL 4  
FRAMING PLAN  
SCALE: 1/4" = 1'-0"



**B4** STAIR B ROOF  
FRAMING PLAN  
SCALE: 1/4" = 1'-0"

**STAIR FRAMING PLAN  
LEGEND**

- CONCRETE WALL
- CONCRETE LINTEL IN CONCRETE WALL
- CONCRETE COLUMN IN CONCRETE WALL
- CONCRETE COLUMN
- CONCRETE JAMB COLUMN POURED MONOLITHIC WITH CONCRETE WALL
- CONCRETE SUSPENDED SLAB
- STEEL COLUMN - TUBE
- MOMENT CONNECTION
- STEEL BEAM OR GIRDER
- STEEL JOIST OR PURLIN
- GLU-LAM, MICRO-LAM OR WOOD BEAM
- JOIST OR TRUSS

**STAIR FRAMING PLAN  
NOTES**

1. SEE SHEET SF201 FOR TRUSS ELEVATIONS AND DETAILS.
2. ALL EXTERIOR EXPOSED STRUCTURAL STEEL SHALL BE GALVANIZED, TYPICAL.
3. USE A325SC BOLTS IN ALL CONNECTIONS OF BEAMS TO COLUMNS AT DRAG STRUTS (D.S.), TYPICAL.
4. SEE SHEET SF201 FOR TRUSS ELEVATIONS.

SEAL

DATE	STATUS
3.28.2006	CD
4.05.2006	ADDENDUM #1

PROJECT NUMBER	4100
CAD DWG FILE	SF404.DWG
DRAWN BY	DAM/REA
CHECKED BY	CP/UTM

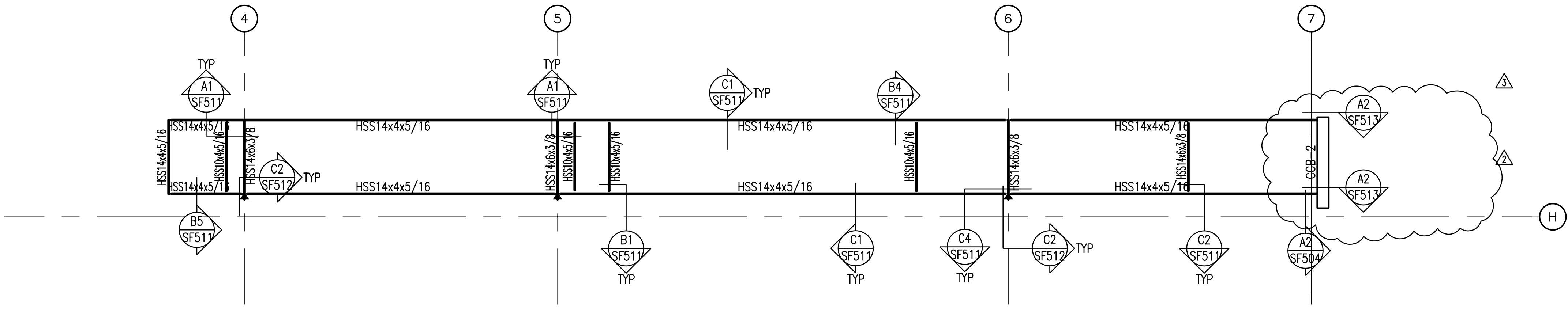
SCALE NONE

**ENLARGED  
STAIR  
FRAMING  
PLANS**

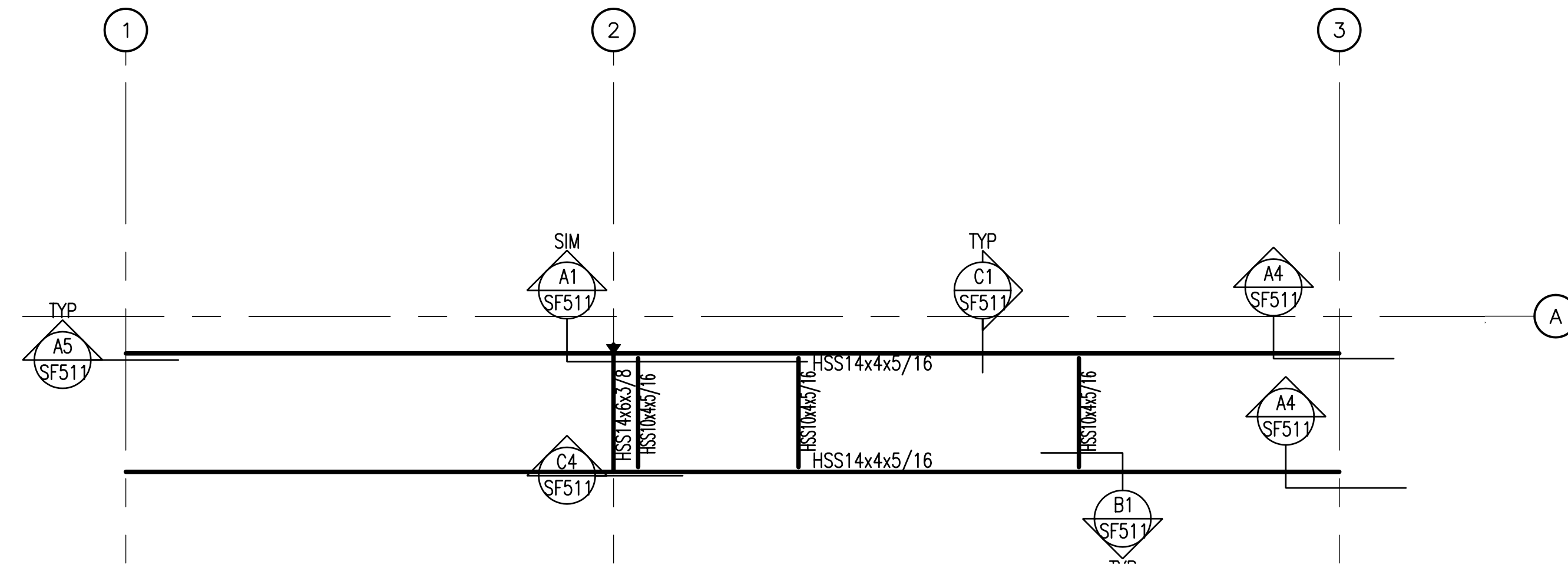
SF404

1 2 3 4 5

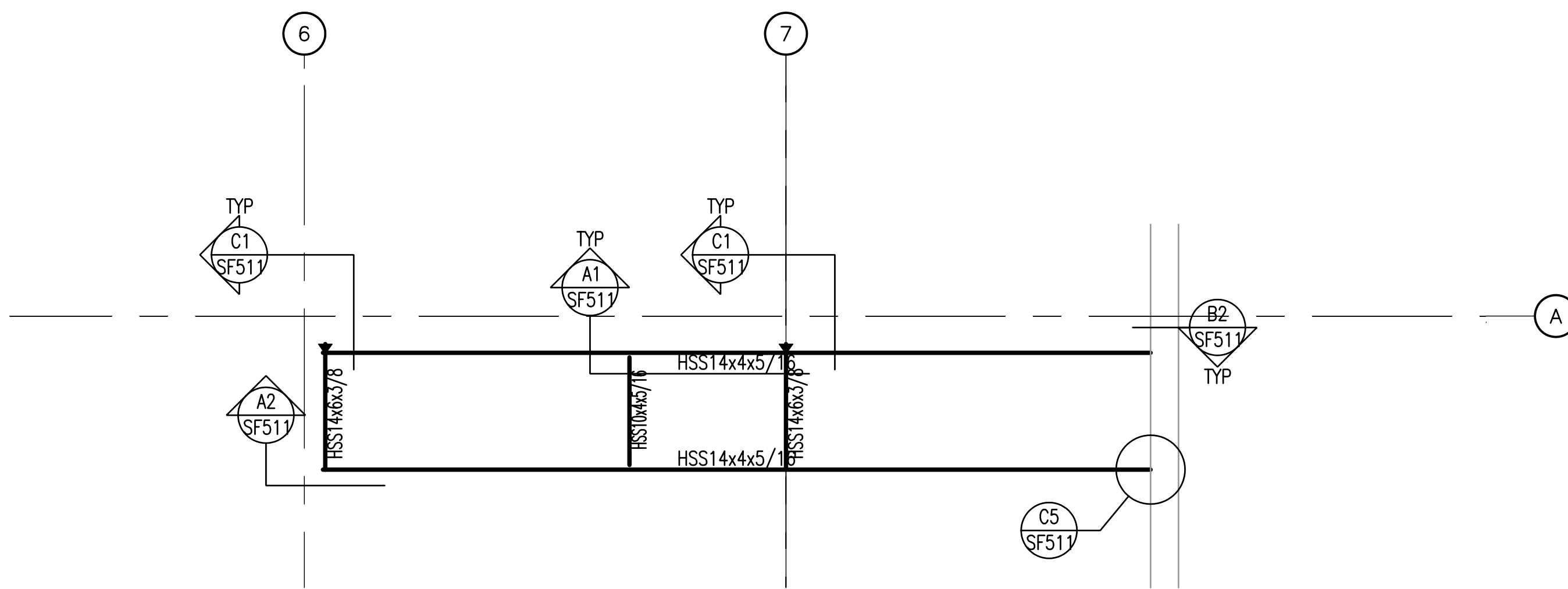
D  
C  
B  
A



**NORTH STAIR FRAMING PLAN**  
SCALE: 1/4" = 1'-0"



**SOUTH STAIR - WEST FRAMING PLAN**  
SCALE: 1/4" = 1'-0"



**SOUTH STAIR - EAST FRAMING PLAN**  
SCALE: 1/4" = 1'-0"

**STAIR FRAMING PLAN LEGEND**

- CONCRETE WALL
- CONCRETE LINTEL IN CONCRETE WALL
- CONCRETE COLUMN IN CONCRETE WALL
- CONCRETE COLUMN
- CONCRETE JAMB COLUMN POURED MONOLITHIC WITH CONCRETE WALL
- CONCRETE SUSPENDED SLAB
- STEEL COLUMN - TUBE
- MOMENT CONNECTION
- STEEL BEAM OR GIRDER
- STEEL JOIST OR PURLIN
- GLU-LAM, MICRO-LAM OR WOOD BEAM
- JOIST OR TRUSS

**STAIR FRAMING PLAN NOTES**

1. SEE SHEET SF201 FOR TRUSS ELEVATIONS AND DETAILS.
2. ALL EXTERIOR EXPOSED STRUCTURAL STEEL SHALL BE GALVANIZED, TYPICAL.
3. USE A325SC BOLTS IN ALL CONNECTIONS OF BEAMS TO COLUMNS AT DRAG STRUTS (D.S.), TYPICAL.
4. SEE SHEET SF201 FOR TRUSS ELEVATIONS.

**FFKR Architects**

Bogue Building  
730 Pacific Avenue  
Salt Lake City  
Utah 84104

801.521.6186 tel  
801.539.1916 fax  
www.ffkr.com

RECORD DRAWINGS  
INFORMATION PROVIDED  
BY CONTRACTOR  
SEPTEMBER 2006

China Bridge Parking Expansion  
Park City UT  
Construction Documents

DATE	STATUS
3.28.2006	CD
4.05.2006	ADDENDUM #1
12.18.05	SS#1
9.2006	RECD DWGS

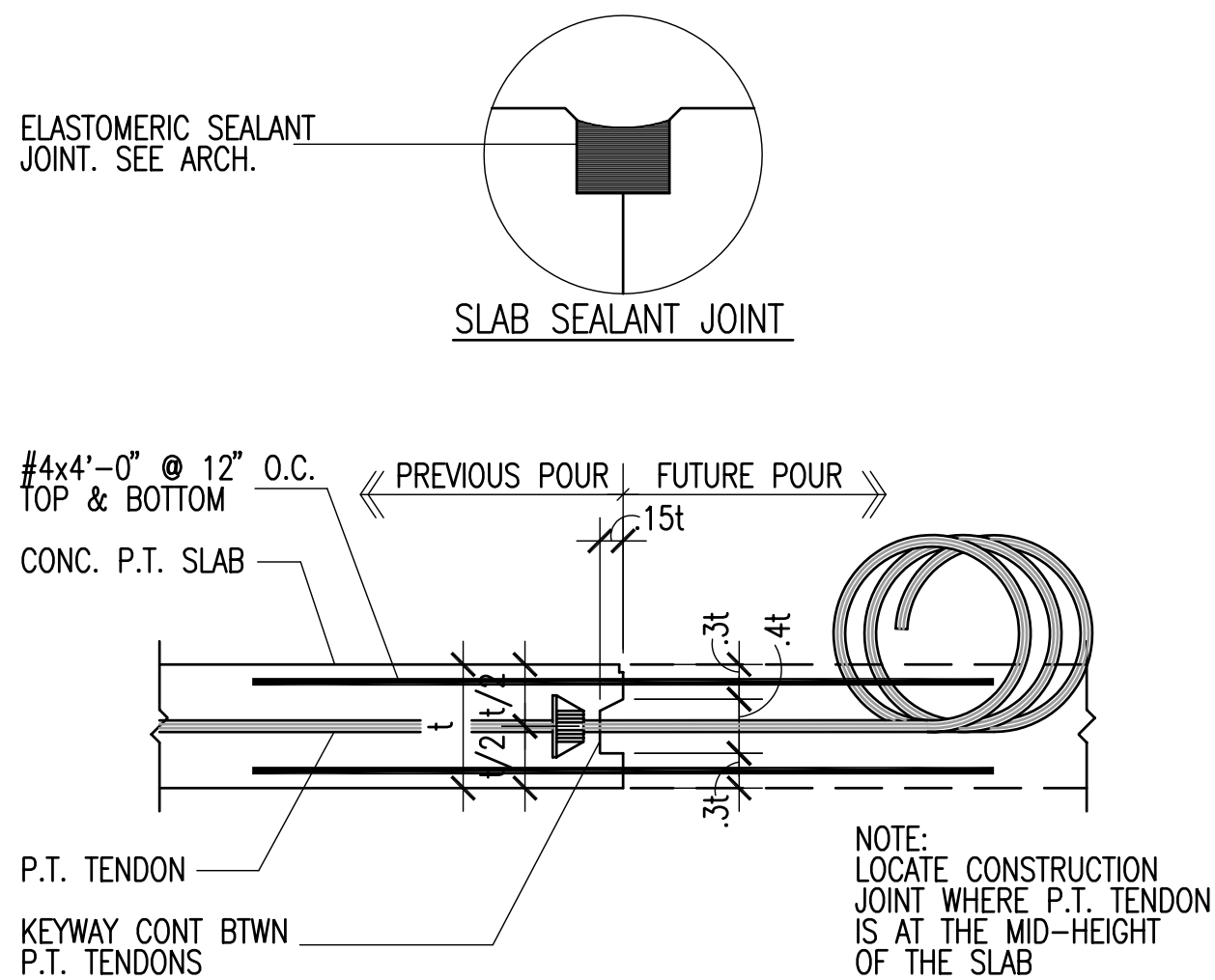
PROJECT NUMBER	4100
CAD DWG FILE	SF404.DWG
DRAWN BY	DAW/REA
CHECKED BY	OP/UTM

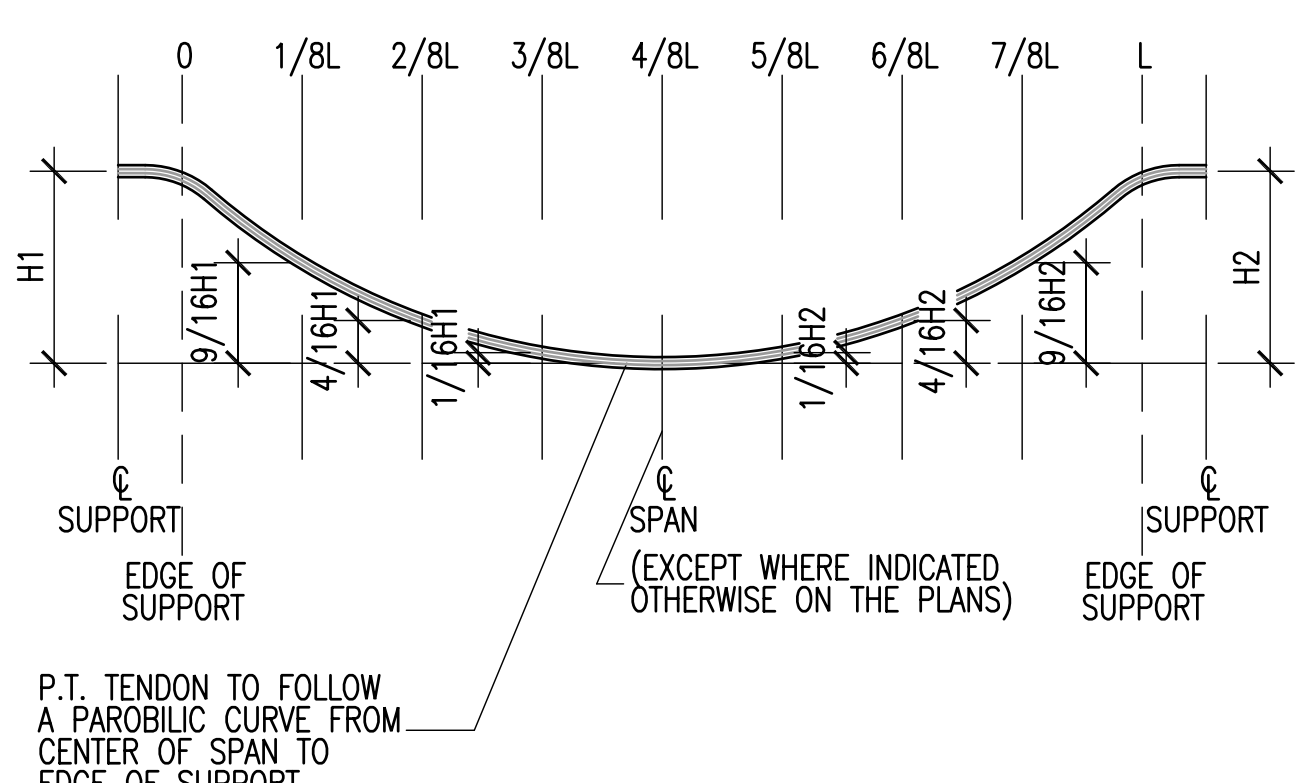
SCALE	NONE
-------	------

**ENLARGED STAIR FRAMING PLANS**

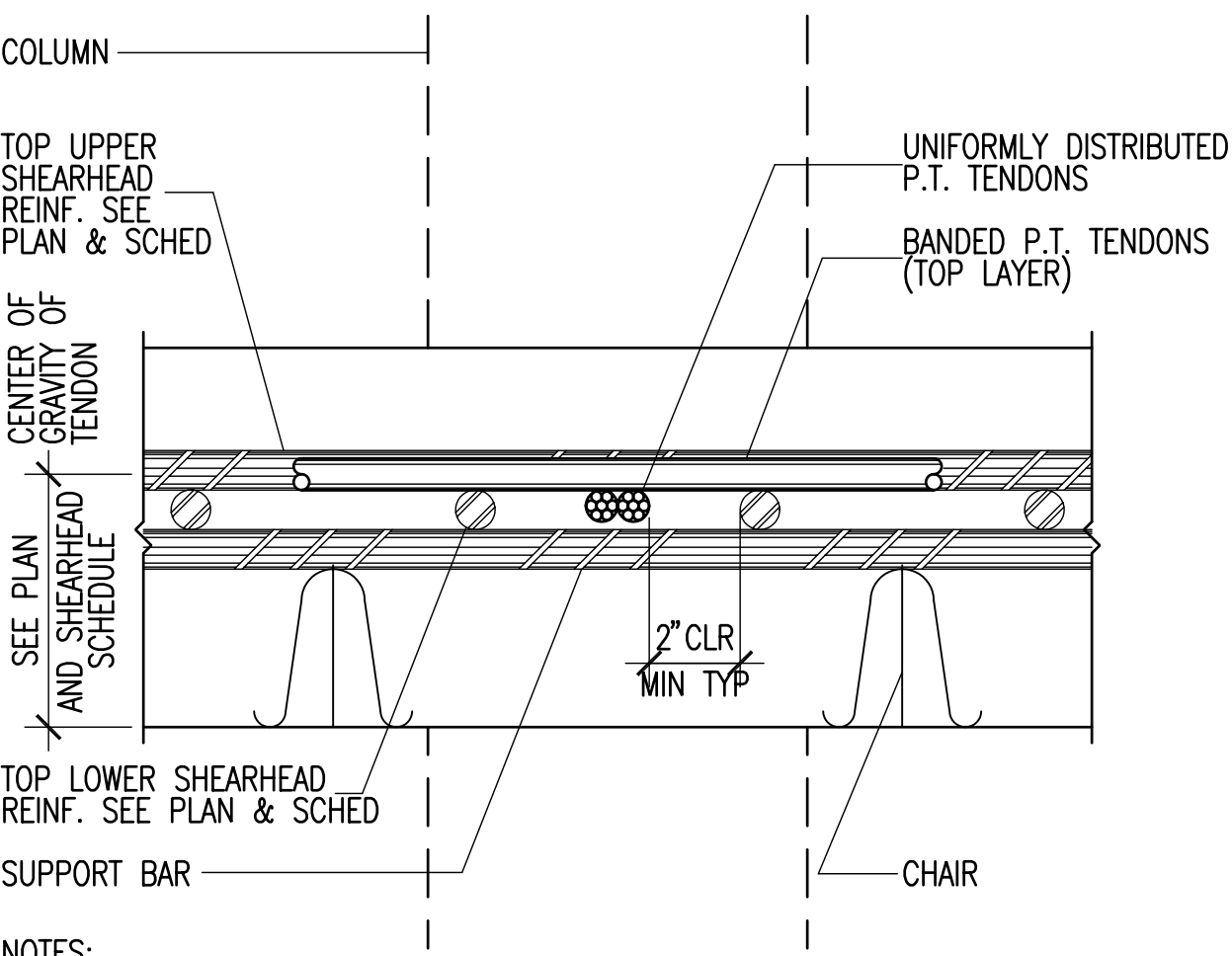
SF405



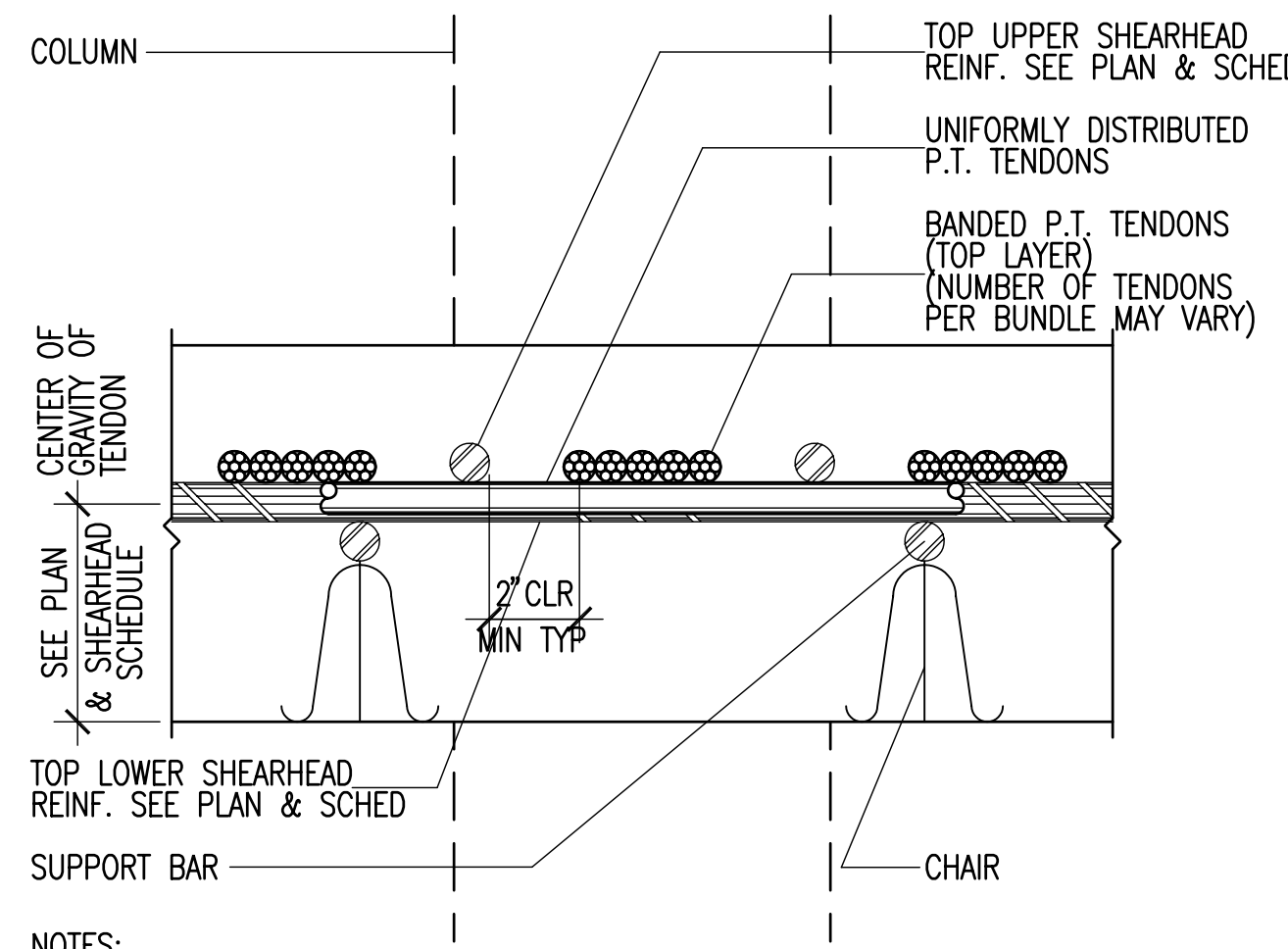
**C1** TYPICAL POST-TENSIONED CONCRETE SLAB CONSTRUCTION JOINT  
SF501 NO SCALE  
2005-012A-SF501/C1



**C2** TYPICAL TENDON PROFILE  
SF501 NO SCALE  
2005-012A-SF501/C2



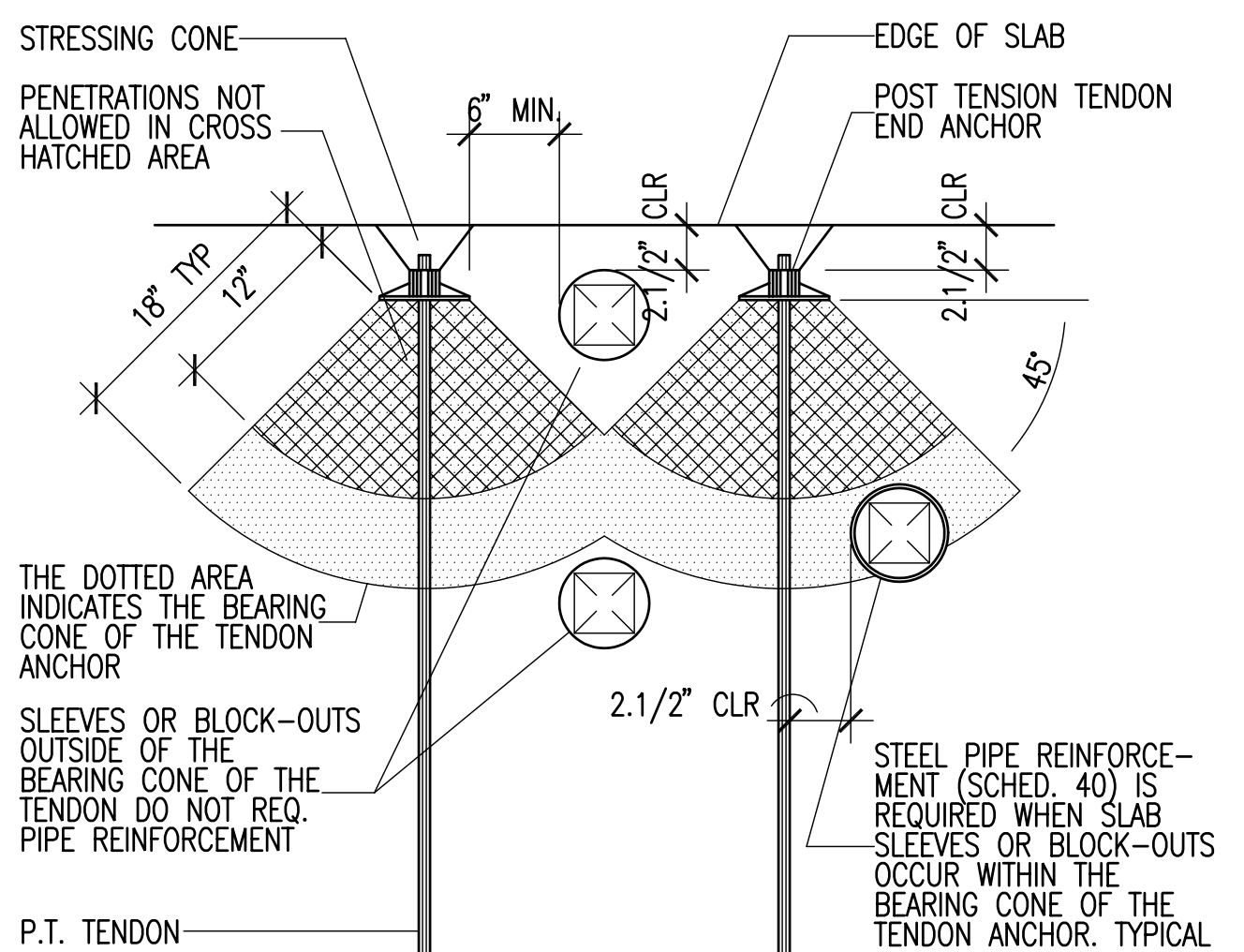
**C4** TYPICAL SECTION THRU UNIFORM TENDONS  
SF501 NO SCALE  
2005-012A-SF501/C4



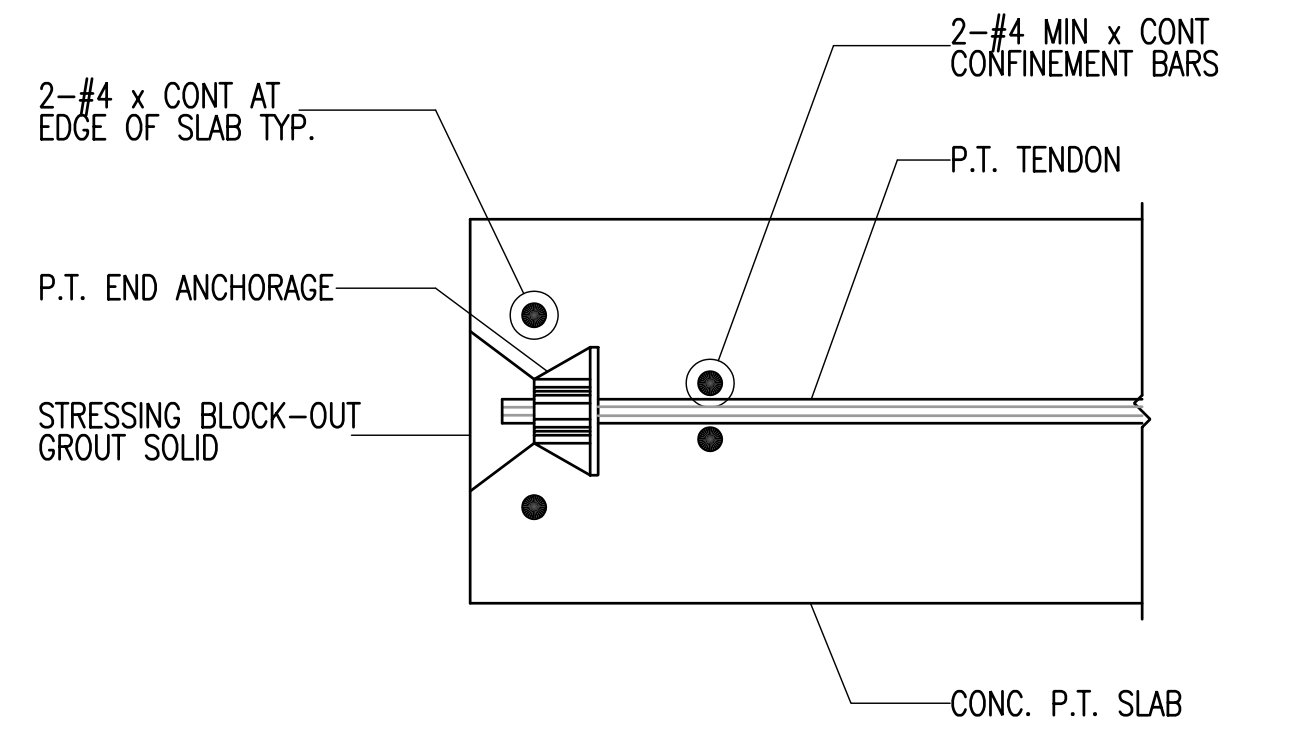
**C5** TYPICAL SECTION THRU BANDED TENDONS  
SF501 NO SCALE  
2005-012A-SF501/C5

NOTES:  
1. ALTERNATE TENDON & REBAR GROUPS.  
2. FOR QUANTITY AND LENGTH OF REBAR, SEE PLAN AND SHEARHEAD SCHEDULE.  
3. TWO TENDONS (MIN.) SHALL PASS THROUGH THE COLUMN REINF CAGE EACH DIRECTION.

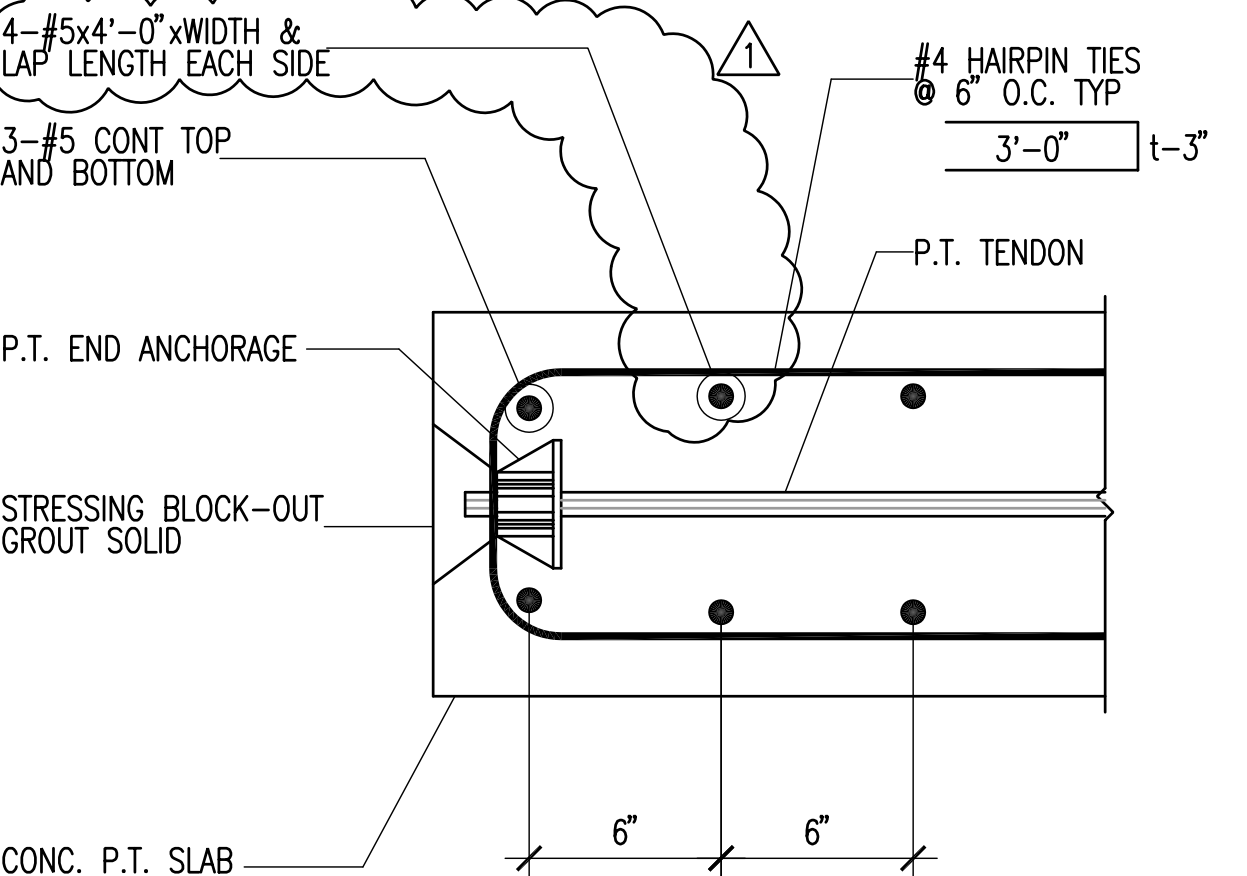
NOTES:  
1. ALTERNATE TENDON & REBAR GROUPS.  
2. FOR QUANTITY AND LENGTH OF REBAR, SEE PLAN AND SCHEDULE.  
3. TWO TENDONS (MIN.) SHALL PASS THROUGH THE COLUMN REINF CAGE EACH DIRECTION.



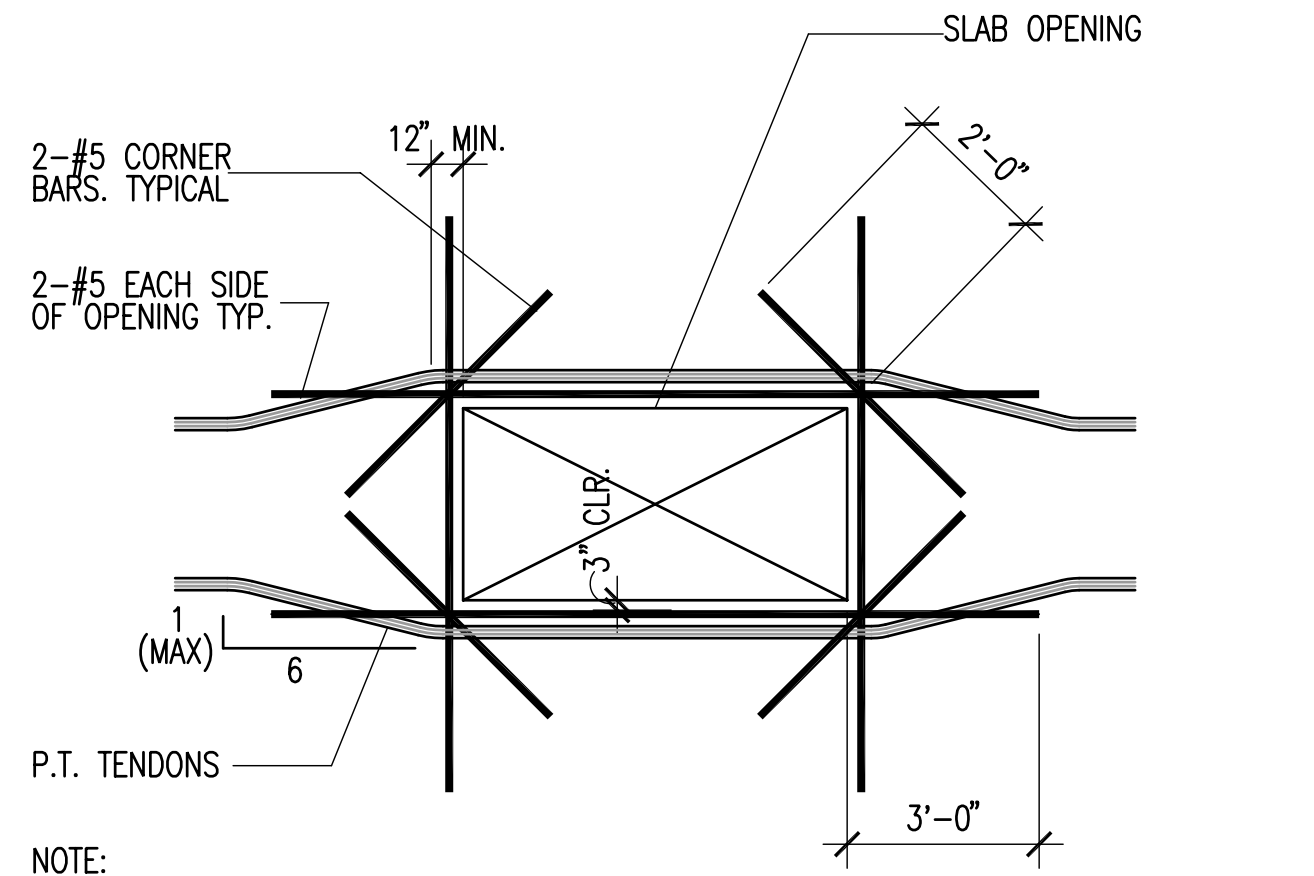
**B1** 6" DIAMETER MAXIMUM SLAB PENETRATION AT P.T. TENDON END ANCHORS  
SF501 NO SCALE  
2005-012A-SF501/B1



**B2** TYP UNIFORMLY DISTRIBUTED TENDON ANCHORAGE (AT SLAB EDGES AND POUR JOINTS)  
SF501 NO SCALE  
2005-012A-SF501/B2

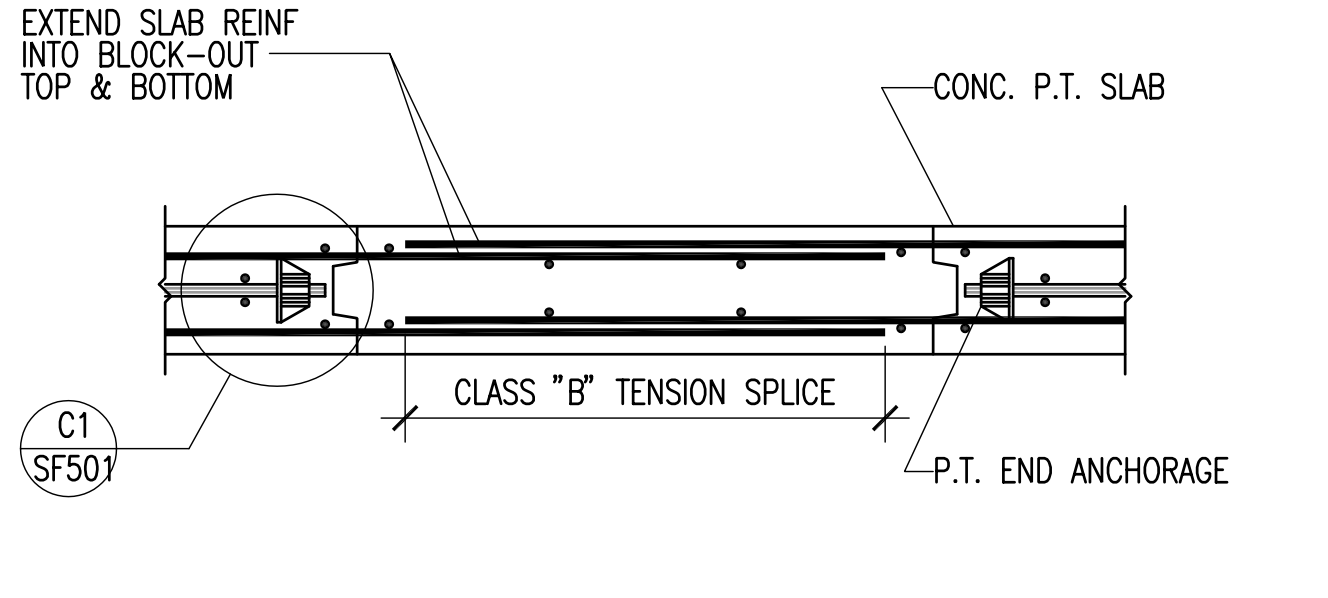


**B4** TYPICAL BANDED TENDON ANCHORAGE (AT SLAB EDGES AND POUR JOINTS)  
SF501 NO SCALE  
2005-012A-SF501/B4



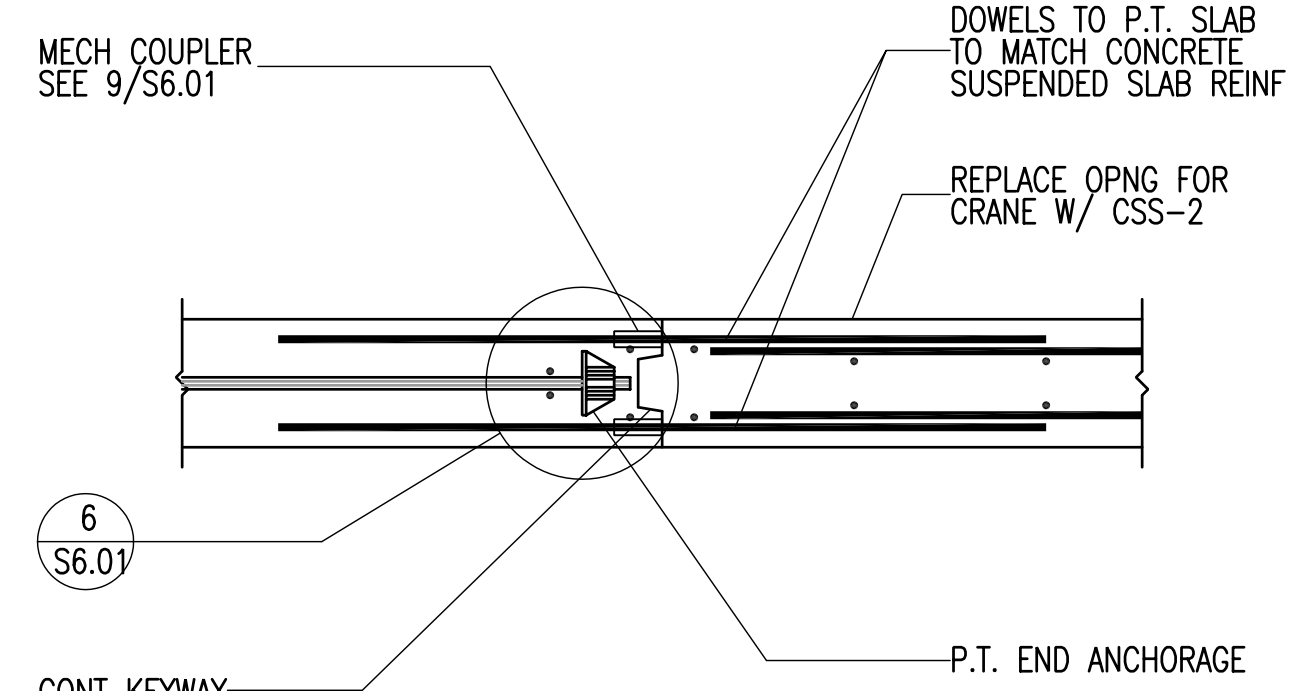
**B5** TYPICAL ADDED REINFORCING AT OPENING THRU P.T. SLAB  
SF501 NO SCALE  
2005-012A-SF501/B5

NOTE: DRILLING OR CORE CUTTING INTO P.T. SLABS FOR ANCHORS OR MISC OPENINGS IS NOT ALLOWED.

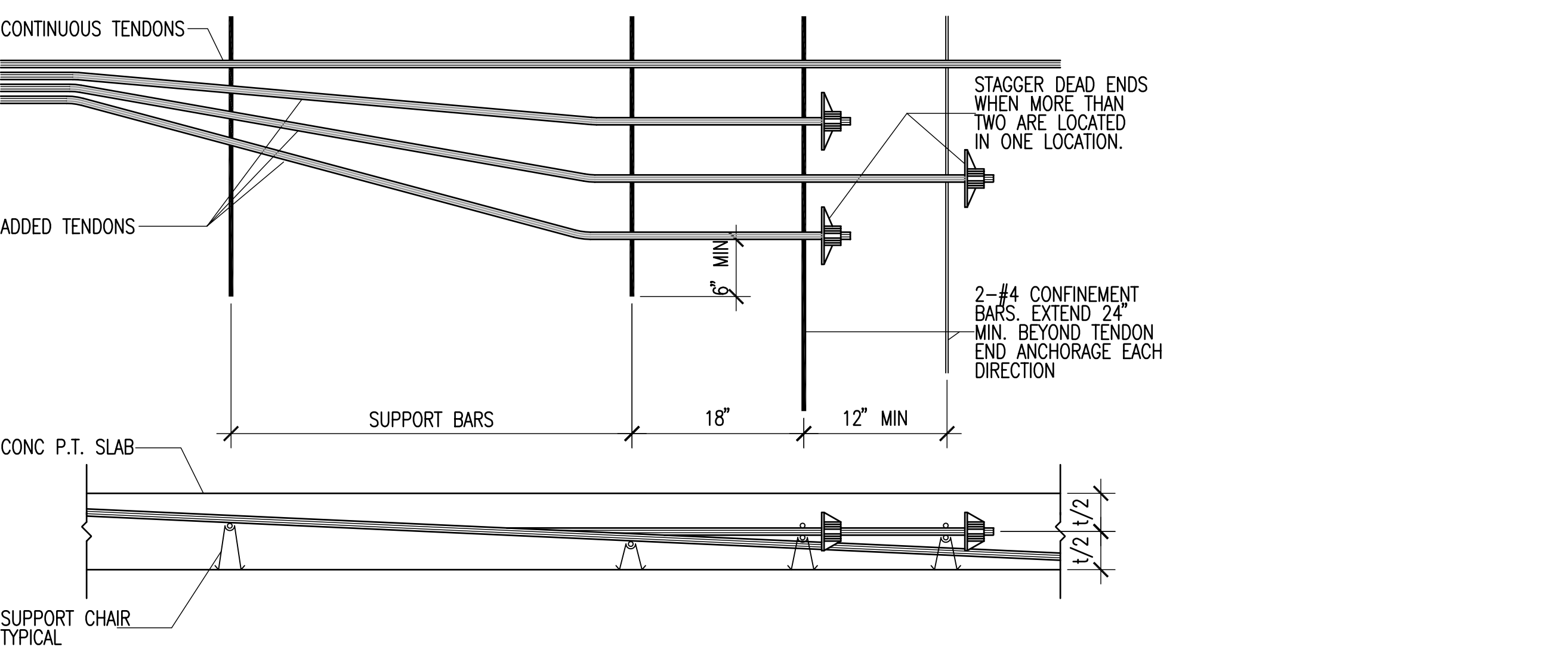


**A1** TYPICAL DETAIL AT TEMPORARY SLAB OPENING OR POUR-BACK STRIP  
SF501 NO SCALE  
2005-012A-SF501/A1

NOTE: AT CONTRACTOR'S OPTION, A MECHANICAL REBAR COUPLER MAY BE USED. MECHANICAL COUPLER SHALL MEET ACI-318 REQUIREMENTS FOR MECHANICAL CONNECTIONS AND SHALL BE CAPABLE OF DEVELOPING 125% OF THE ASTM SPECIFIED YIELD STRENGTH OF THE BAR. DO NOT TIGHTEN COUPLERS UNTIL 120 DAYS MINIMUM AFTER P.T. SLAB IS STRESSED AND SLAB POUR-BACK STRIP IS READY TO BE PLACED.



**A2** TYPICAL CRANE OPENING INFILL  
SF501 NO SCALE  
2005-012A-SF501/A2



**C4** TYPICAL ADDED TENDON END ANCHORAGE DETAIL  
SF501 NO SCALE  
2005-012A-SF501/C5

DATE	STATUS
3.28.2006	CD
9.2006	RECD DWGS

PROJECT NUMBER	4100
CAD DWG FILE	SF501.dwg
DRAWN BY	DAM/REA
CHECKED BY	CP/JTM

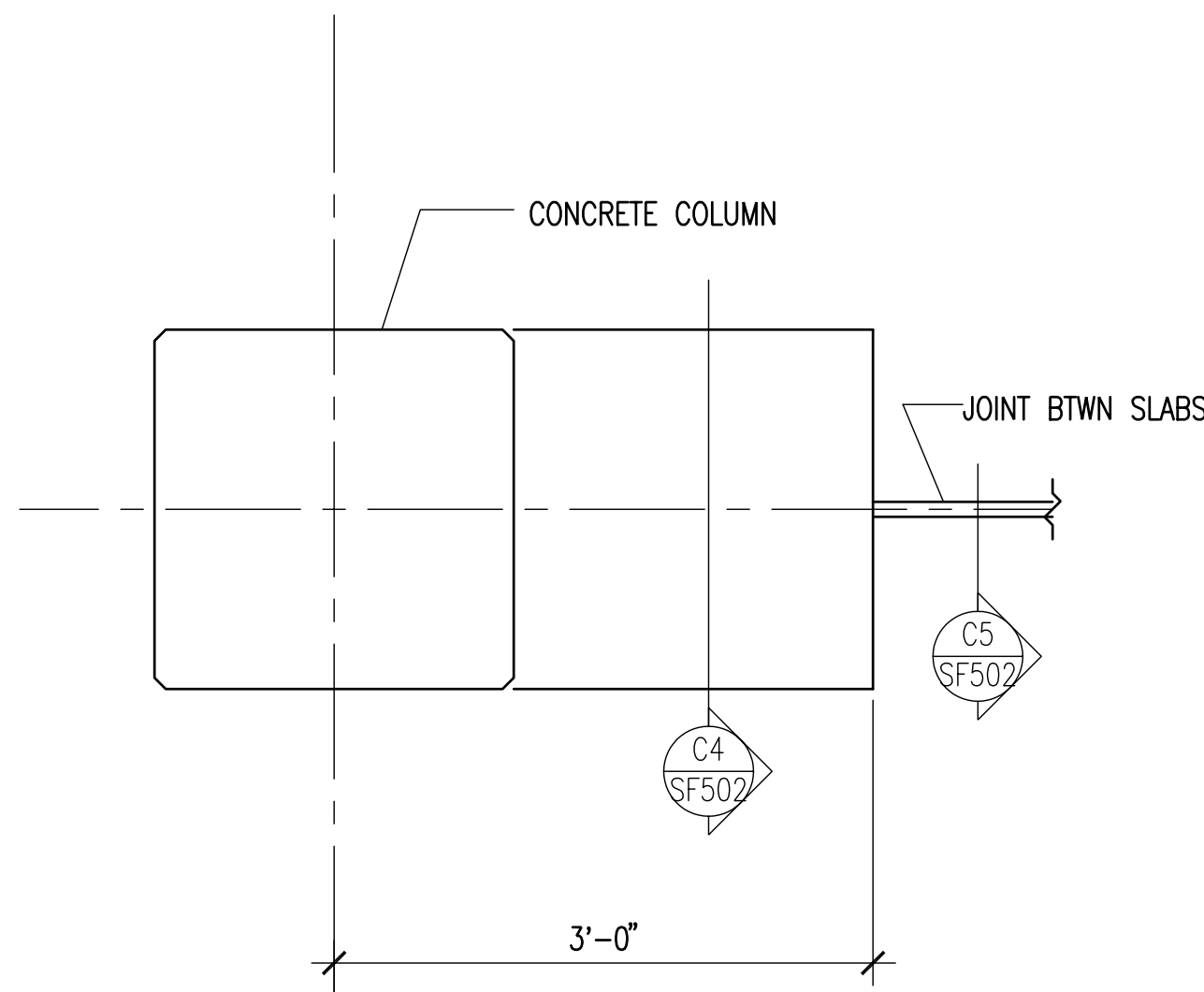
DATE	STATUS
3.28.2006	CD
4.05.2006	ADDENDUM #1
9.2006	RECD DWGS

PROJECT NUMBER	4100
CAD DWG FILE	SF502.dwg
DRAWN BY	DAM/FREA
CHECKED BY	CP/JTM

SCALE NONE

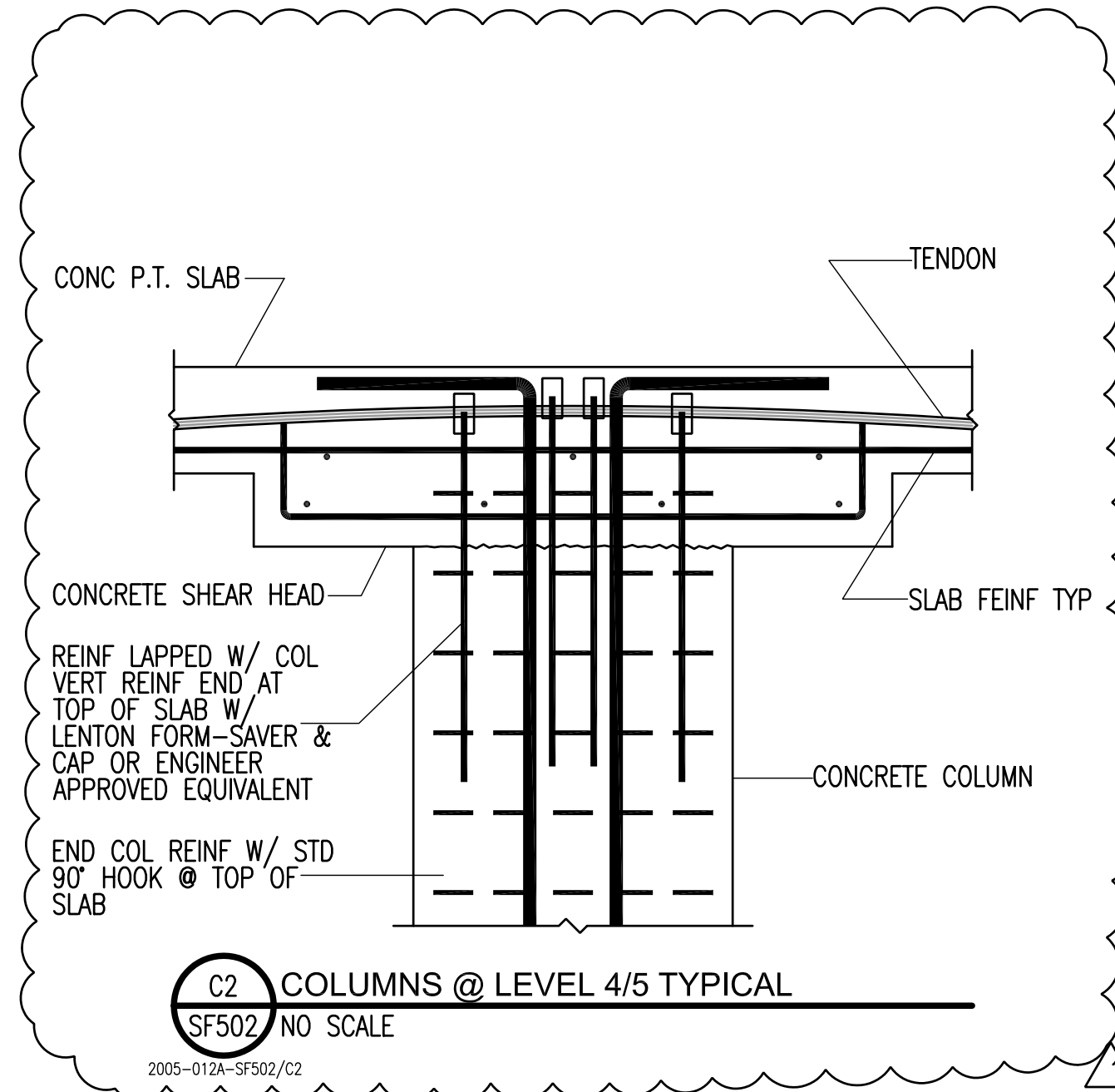
**FLOOR  
FRAMING  
DETAILS**

SF502



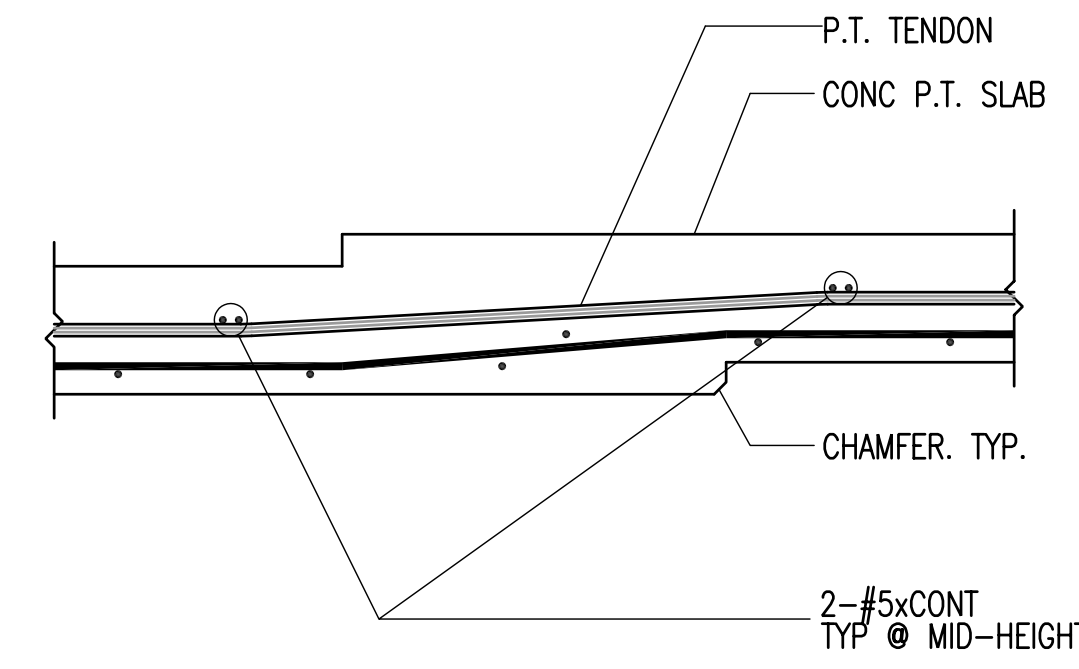
**C1**  
TYPICAL RAMP SLAB JOINT  
AT CHANGE OF RAMP SLOPE

SF502 NO SCALE  
2005-012A-SF502/C1



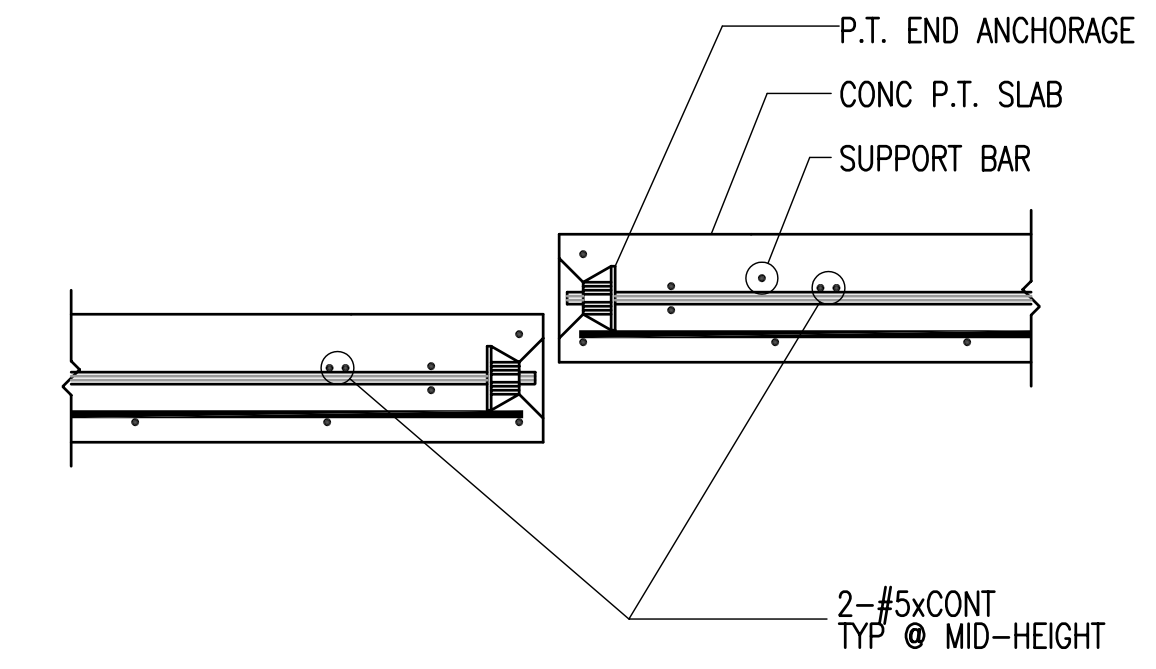
**C2**  
COLUMNS @ LEVEL 4/5 TYPICAL

SF502 NO SCALE  
2005-012A-SF502/C2



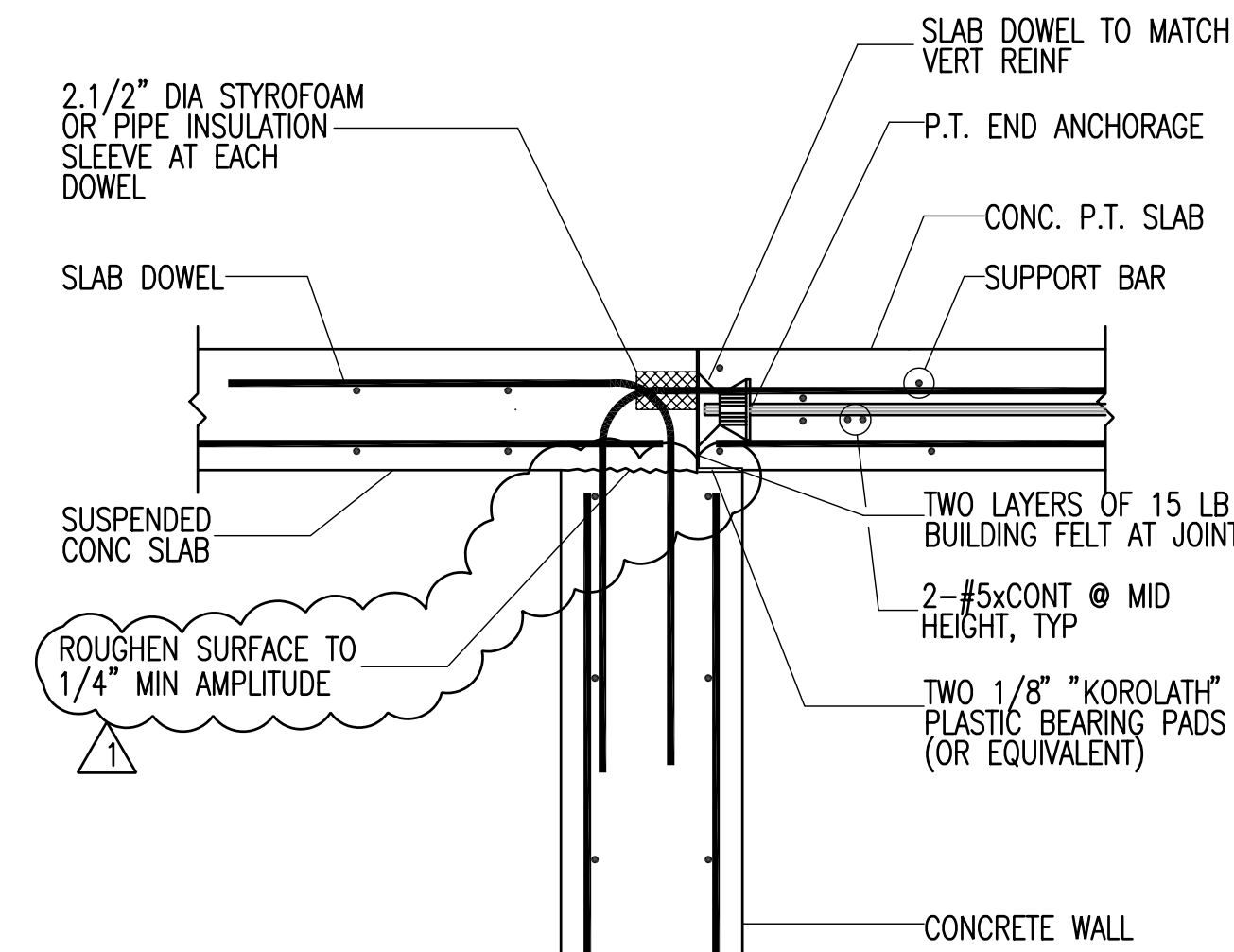
**C4**  
TYPICAL POST-TENSIONED SLAB OVERLAP  
AT PARKING RAMP

SF502 NO SCALE  
2005-012A-SF502/C4



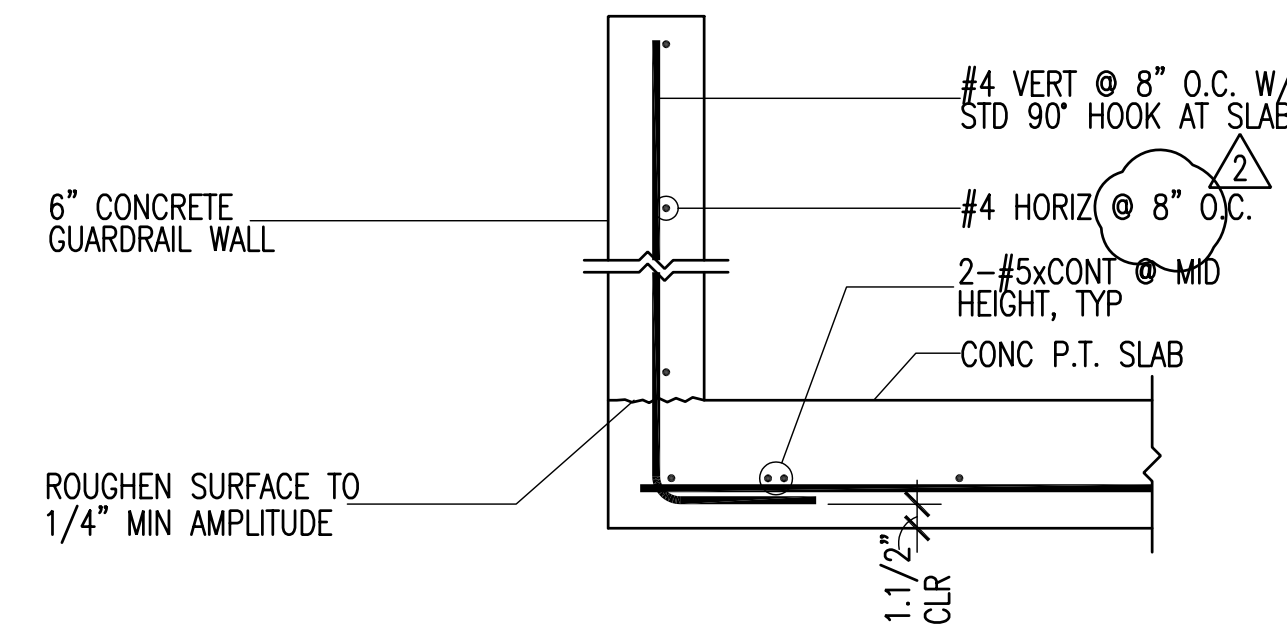
**C5**  
TYPICAL POST-TENSIONED SLAB JOINT  
AT PARKING RAMP

SF502 NO SCALE  
2005-012A-SF502/C5



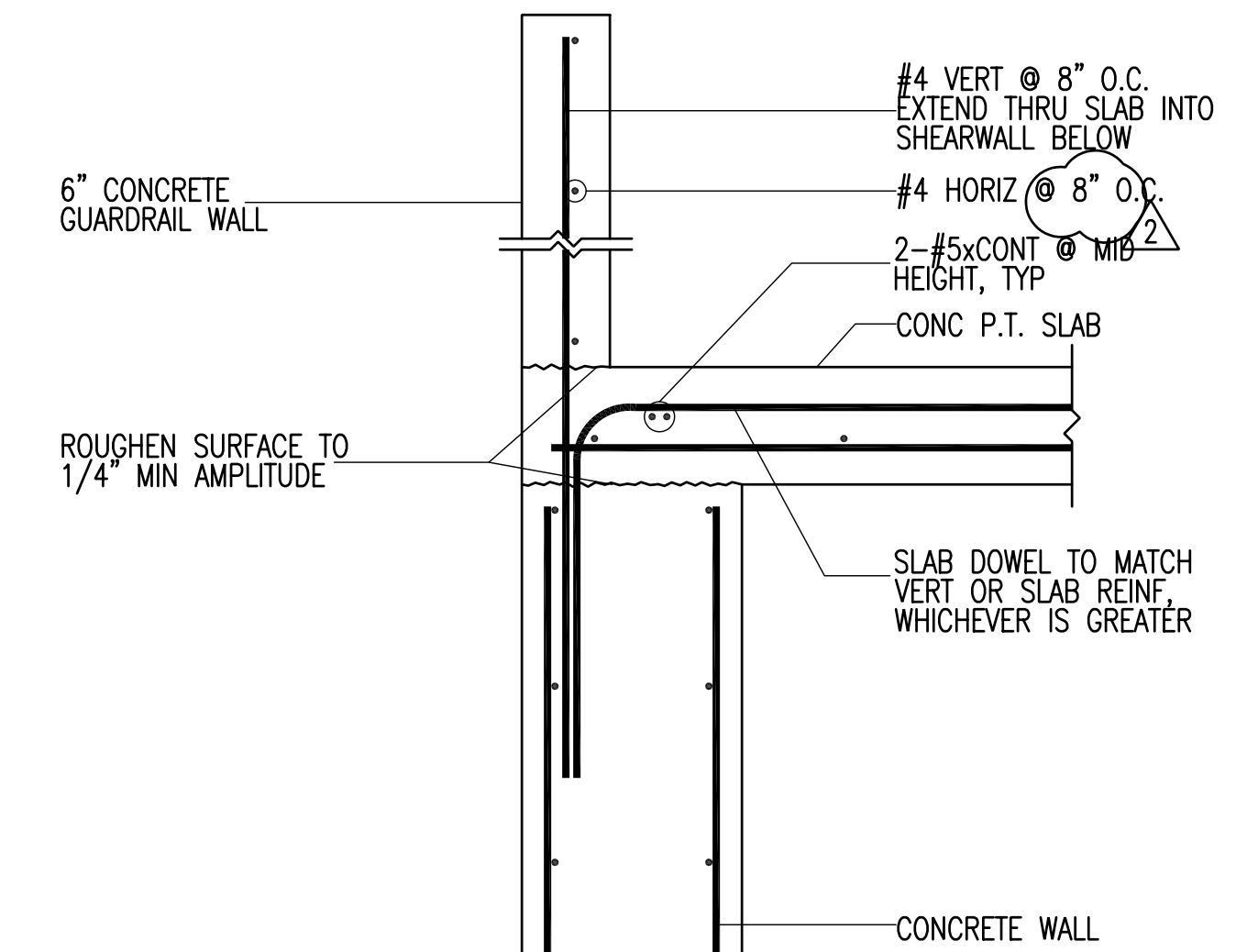
**B2**  
TYPICAL P.T. AND REINF CONCRETE SLABS  
ON CONCRETE WALL (SLIDE CONNECTION)

SF502 NO SCALE  
2005-012A-SF502/B2



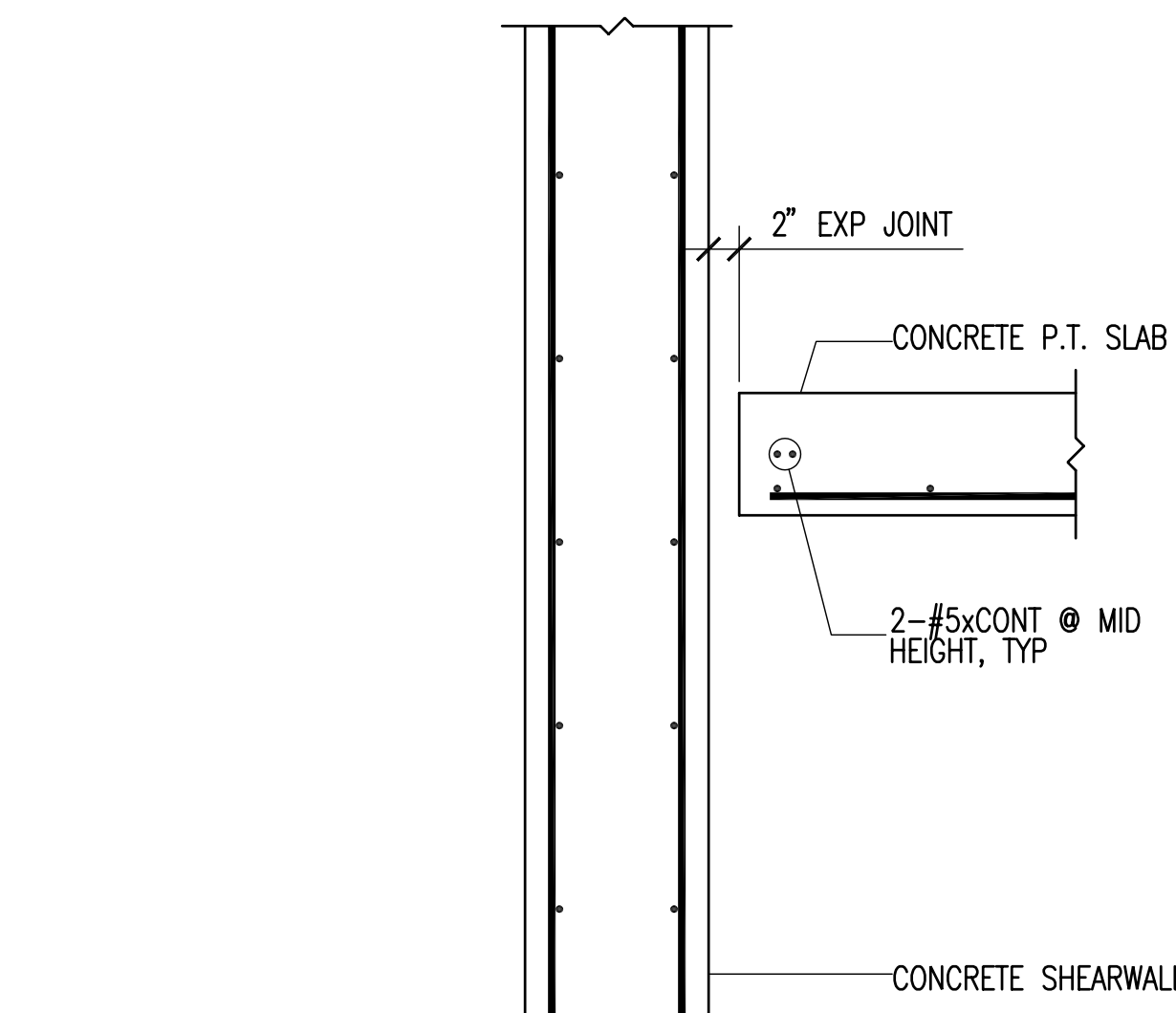
**B4**  
TYPICAL CONCRETE GUARDRAIL  
AT CONCRETE SUSPENDED SLAB

SF502 NO SCALE  
2005-012A-SF502/B4



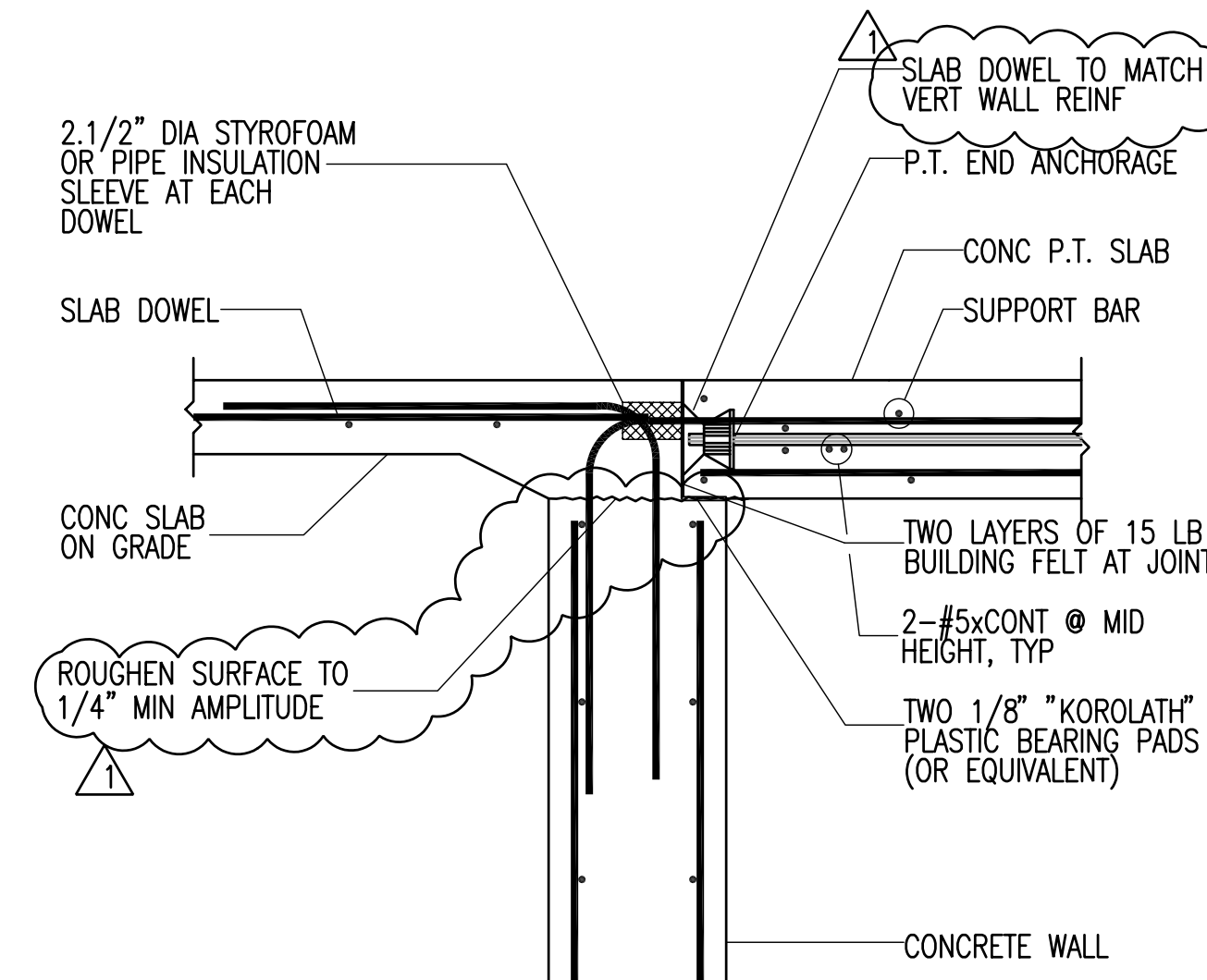
**B5**  
TYPICAL CONCRETE GUARDRAIL  
AT CONCRETE SHEARWALL

SF502 NO SCALE  
2005-012A-SF502/B5



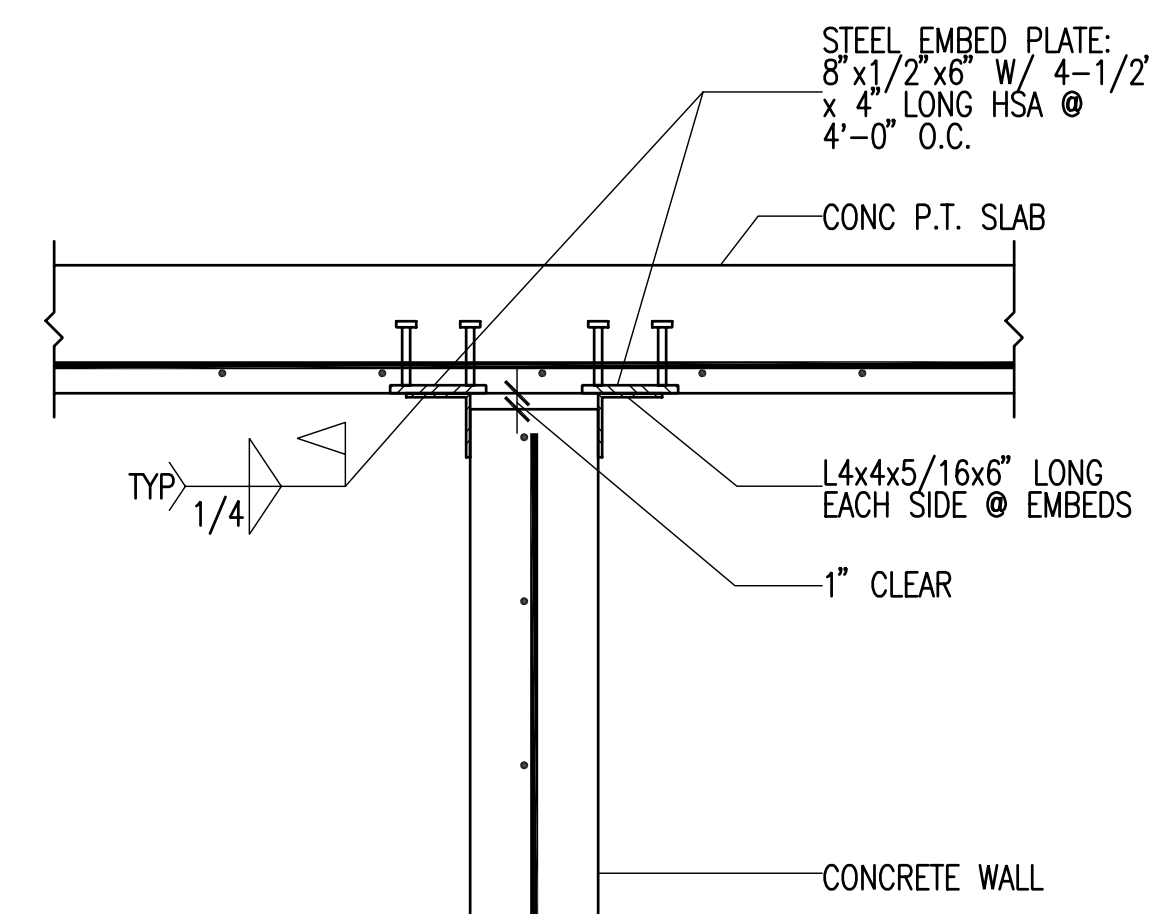
**A1**  
TYPICAL CONCRETE SUSPENDED SLAB  
AT CONCRETE SHEARWALL

SF502 NO SCALE  
2005-012A-SF502/A1



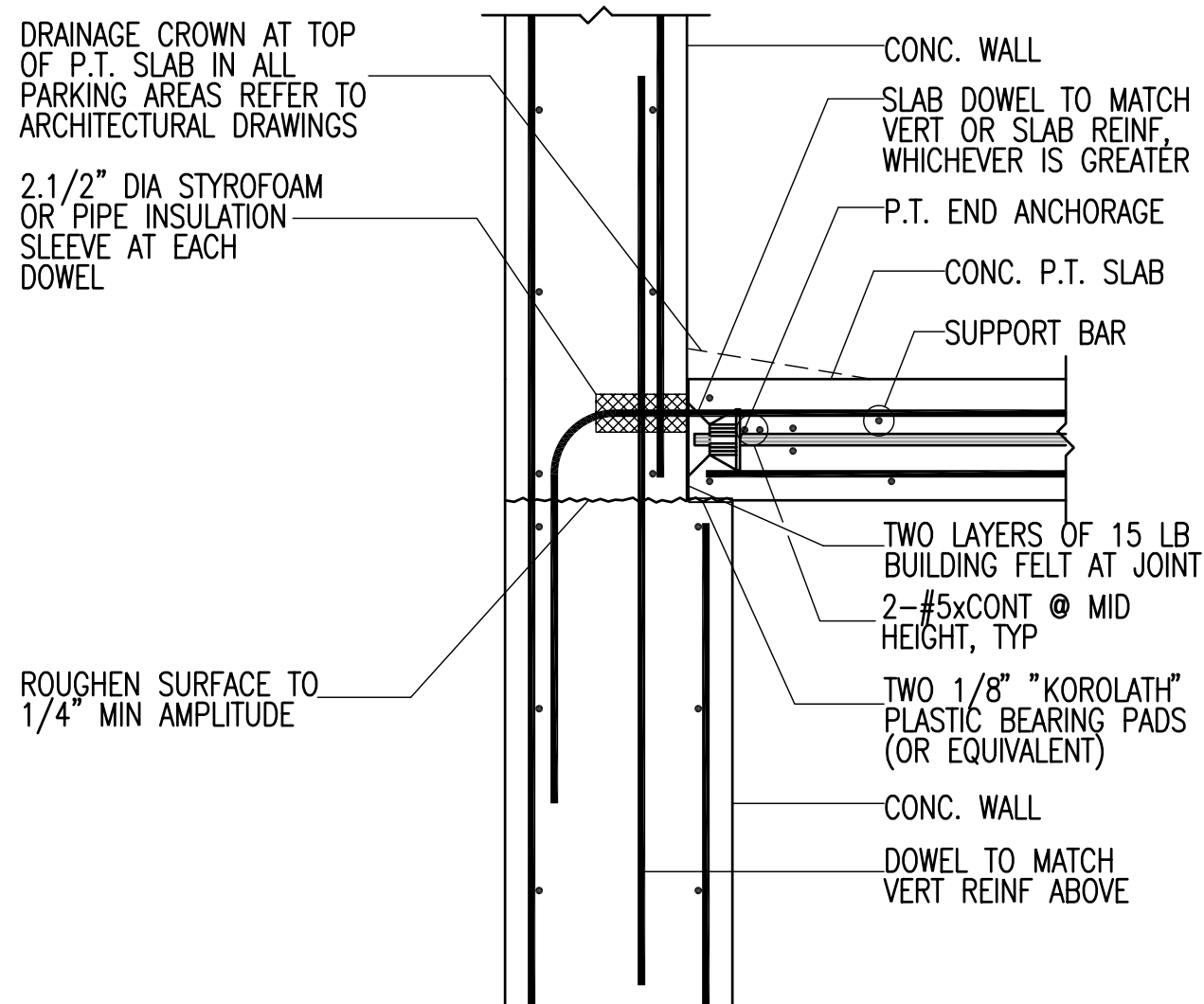
**A2**  
TYPICAL P.T. AND REINF CONCRETE SLABS  
ON CONCRETE WALL (SLIDE CONNECTION)

SF502 NO SCALE  
2005-012A-SF502/A2



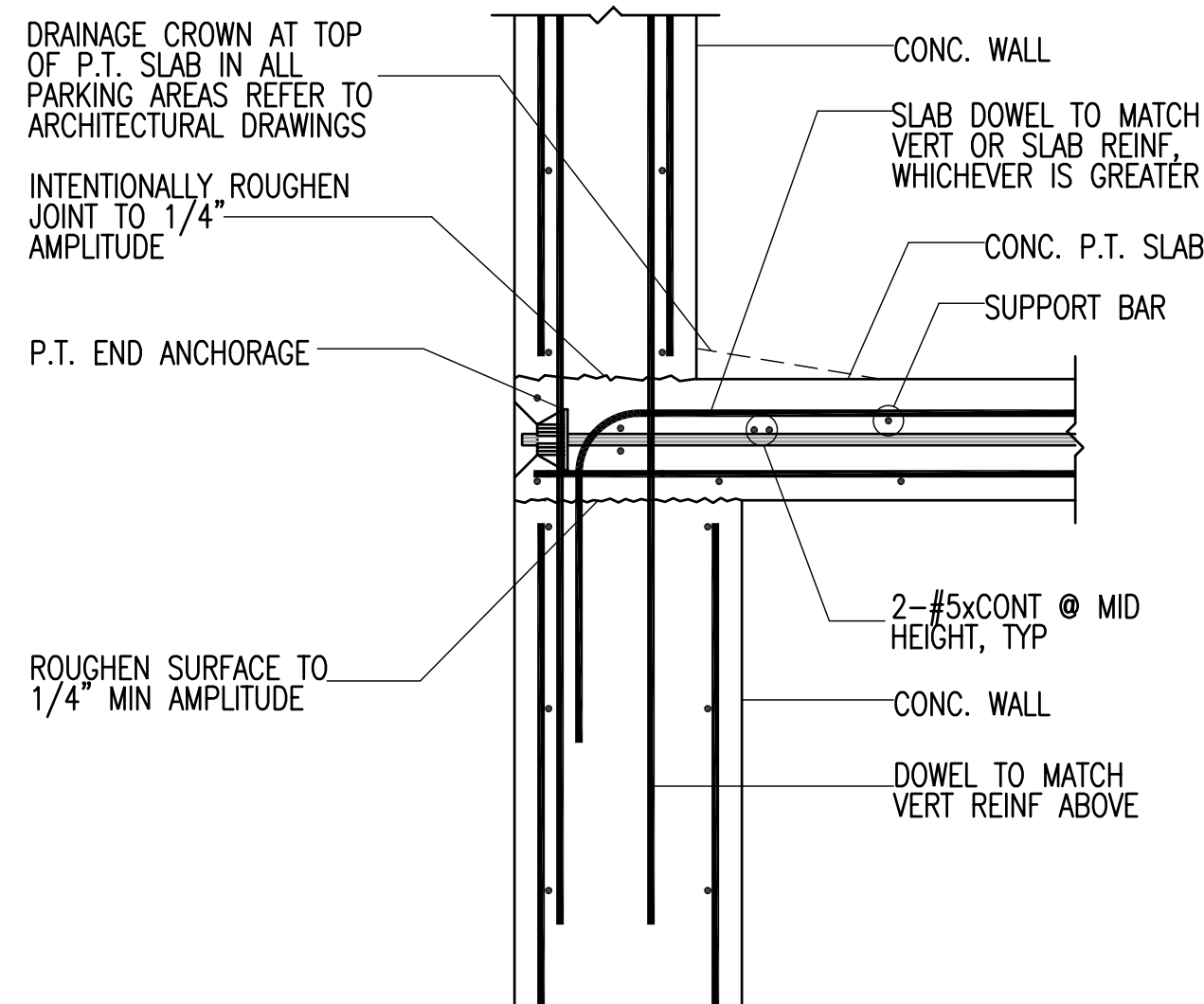
**A4**  
TYPICAL NON-BEARING CONCRETE  
WALL AT CONCRETE SUSPENDED SLAB

SF502 NO SCALE  
2005-012A-SF502/A4



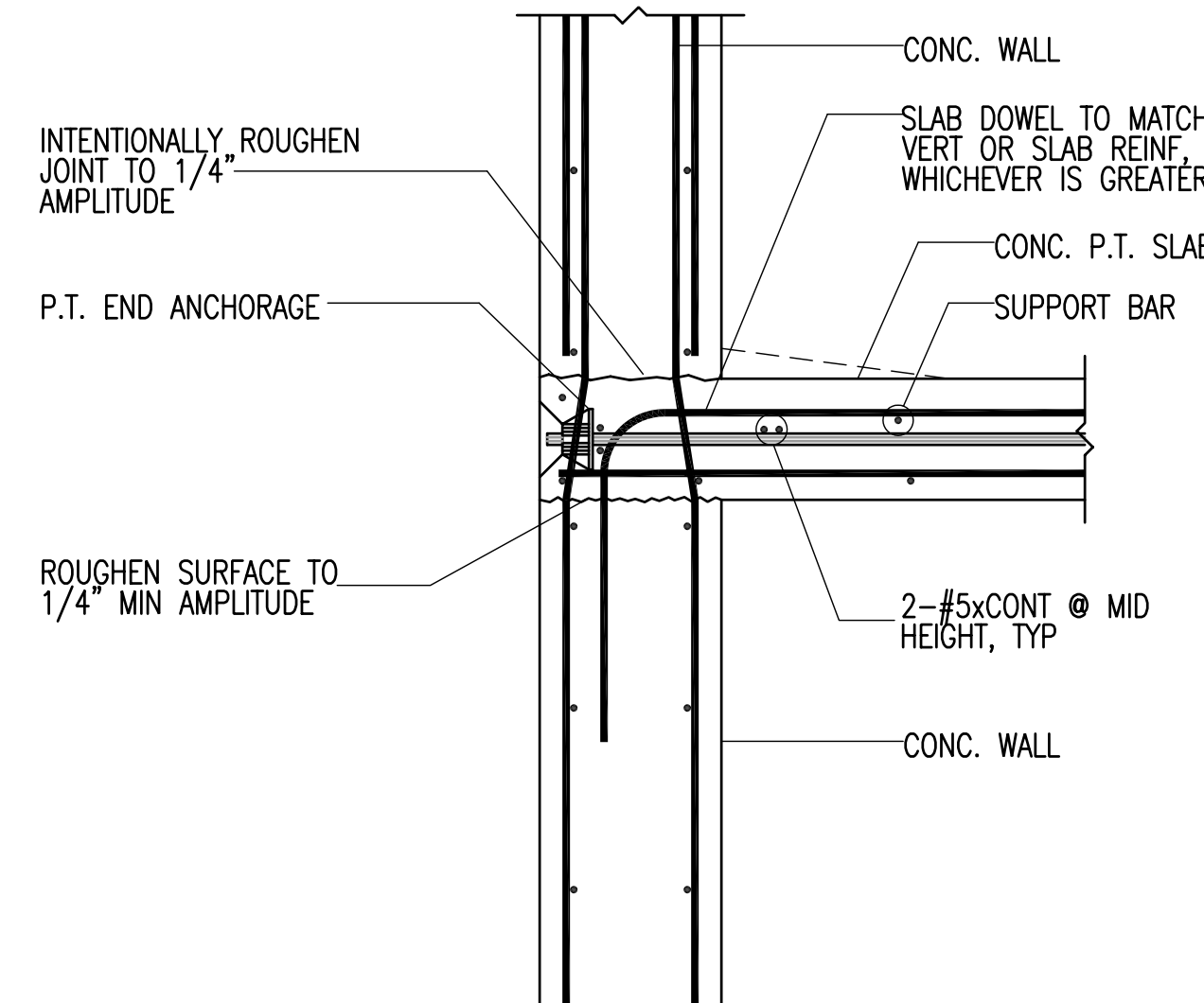
**C1** TYPICAL POST-TENSIONED CONCRETE SLAB AT CONCRETE WALL (SLIDE CONNECTION)  
SF503 NO SCALE

2005-012A-SF503/C1



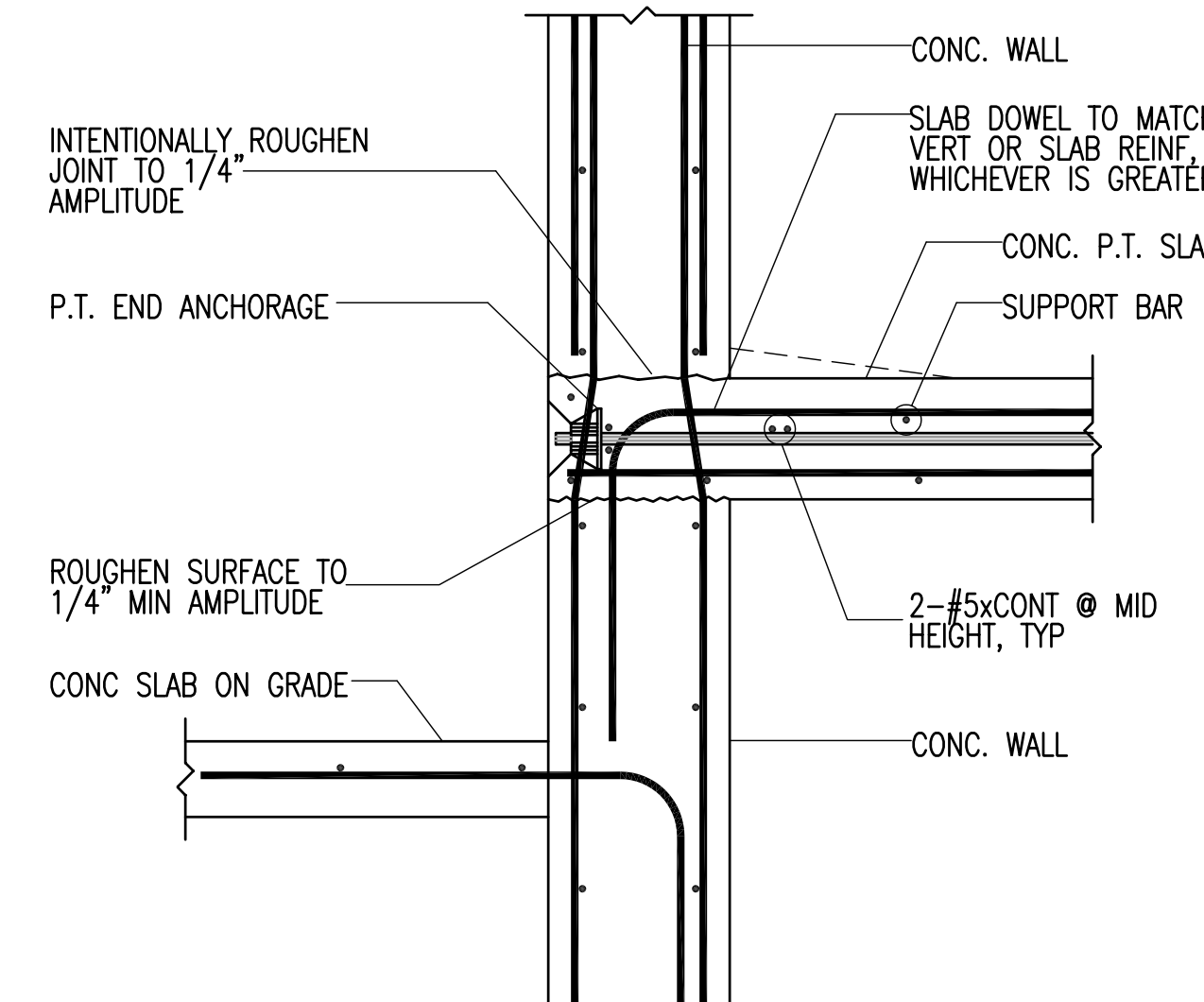
**C2** TYPICAL POST-TENSIONED CONCRETE SLAB AT CONCRETE WALL (FIXED SHEAR CONNECTION)  
SF503 NO SCALE

2005-012A-SF503/C2



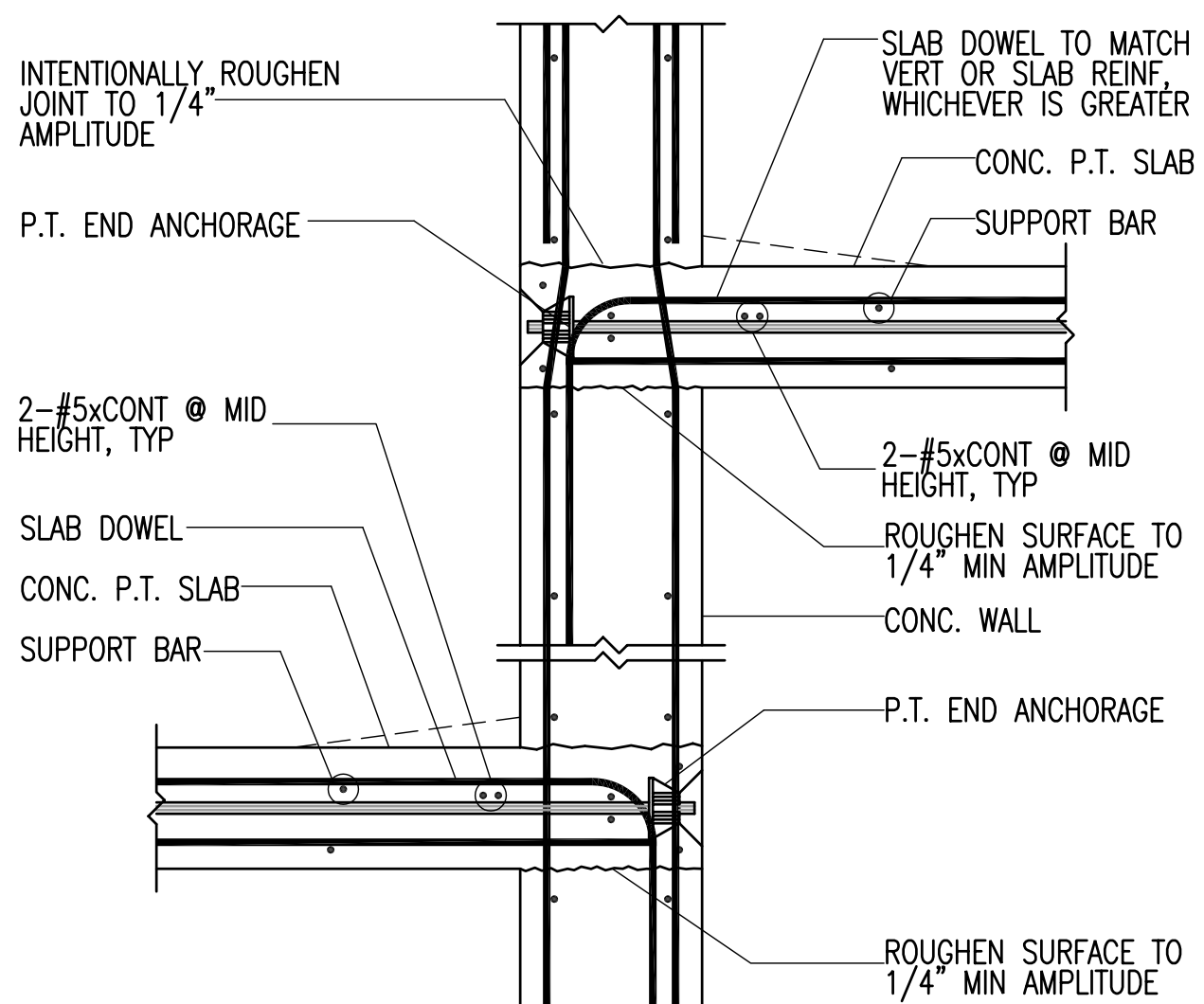
**C4** TYPICAL POST-TENSIONED CONCRETE SLAB AT CONCRETE WALL (FIXED SHEAR CONNECTION)  
SF503 NO SCALE

2005-012A-SF503/C4



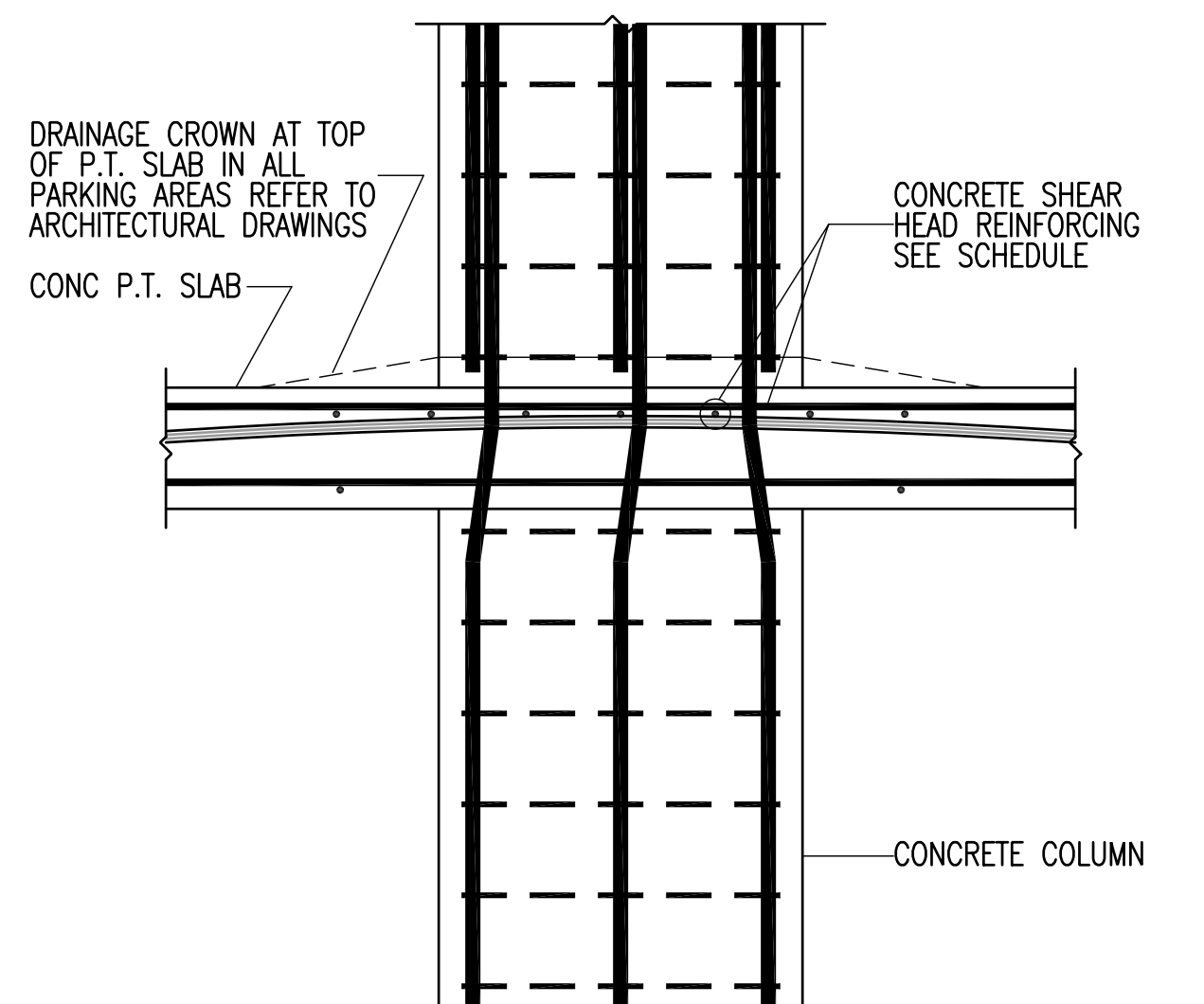
**C5** TYPICAL POST-TENSIONED CONCRETE SLAB AT CONCRETE WALL (FIXED SHEAR CONNECTION)  
SF503 NO SCALE

2005-012A-SF503/C5



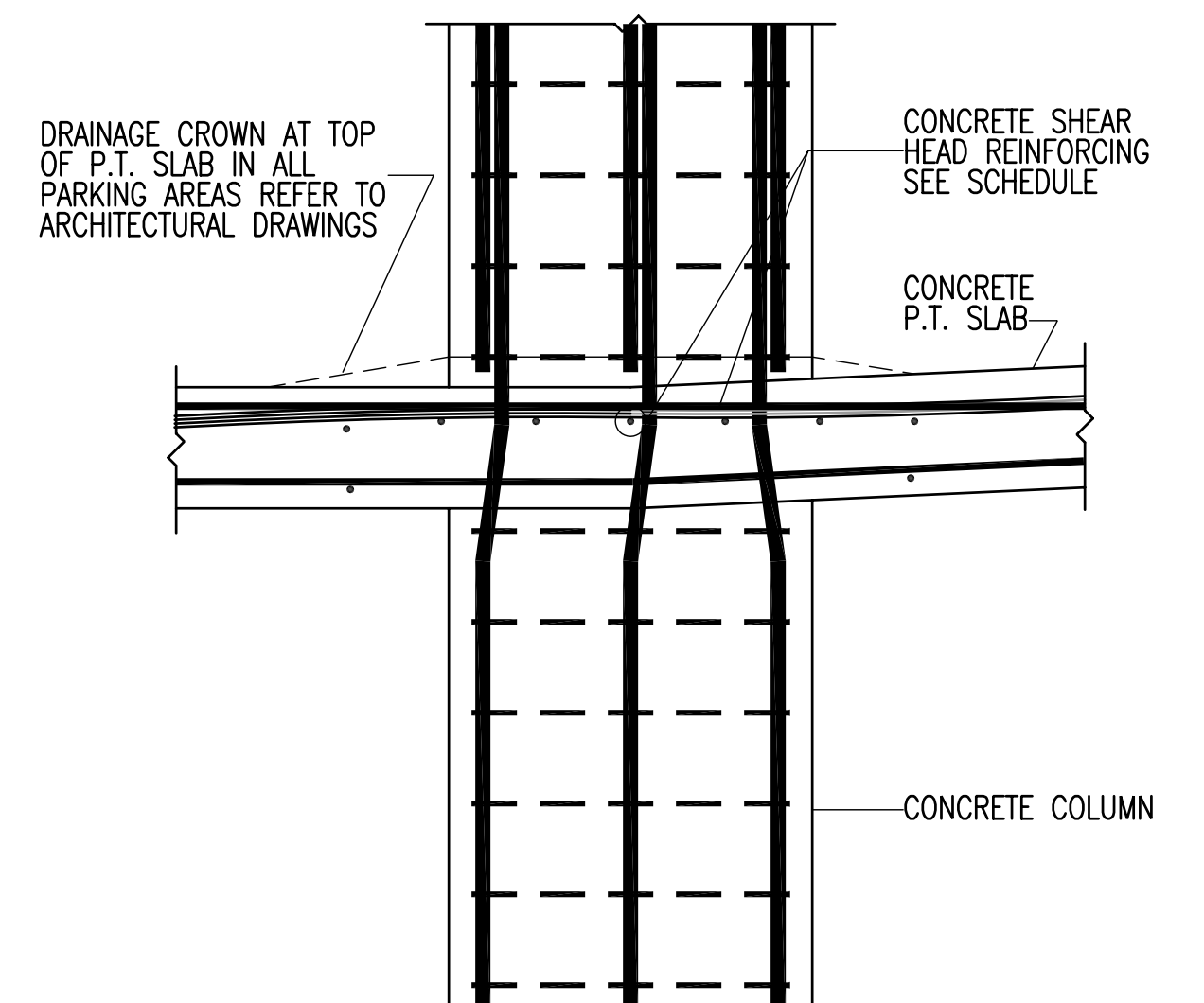
**B1** TYPICAL POST-TENSIONED CONCRETE SLABS AT CONC SHEAR WALL (FIXED SHEAR CONNECTION)  
SF503 NO SCALE

2005-012A-SF503/B1



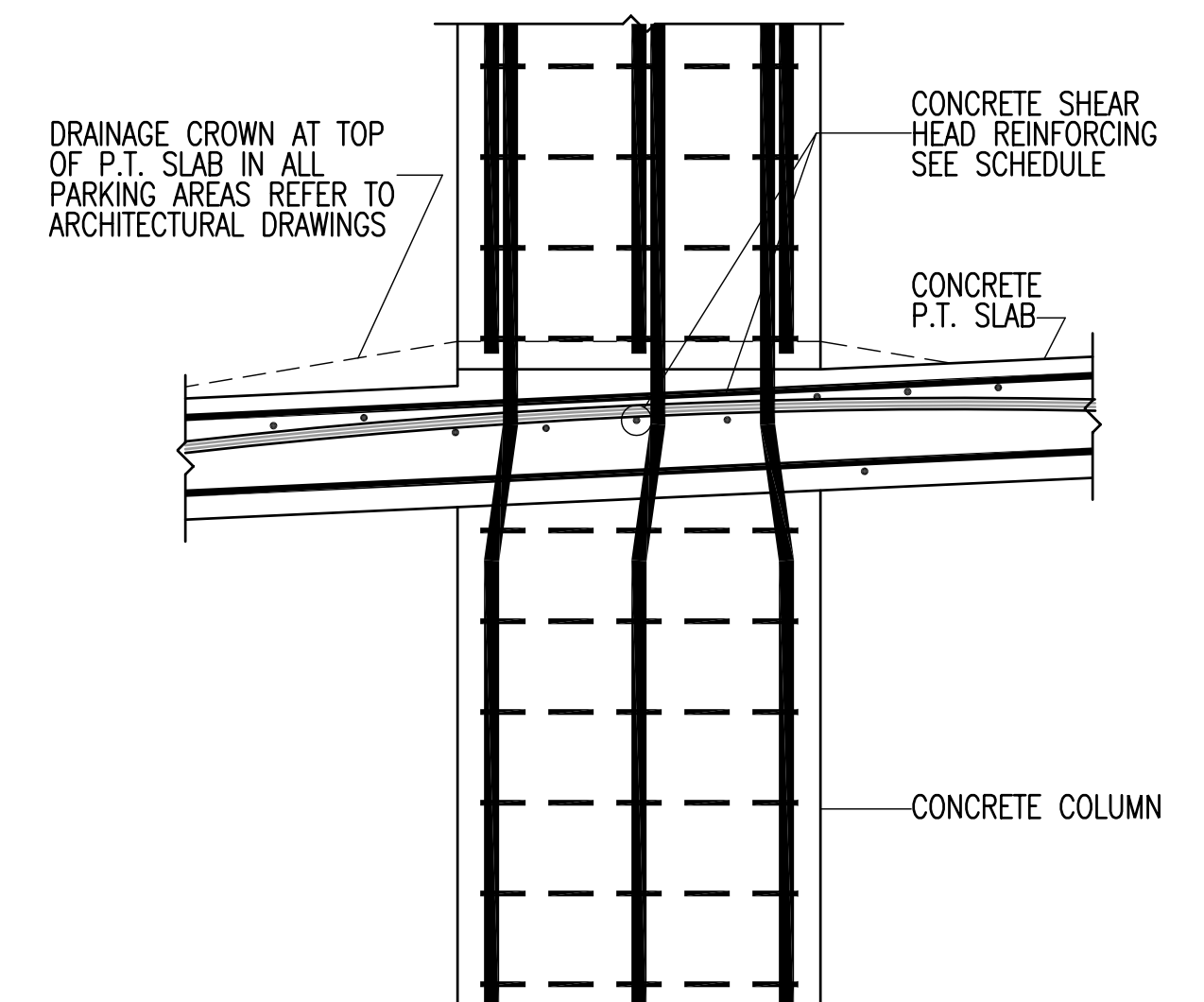
**B2** TYPICAL SHEAR HEAD AT CONCRETE COLUMN  
SF503 NO SCALE

2005-012A-SF503/B2



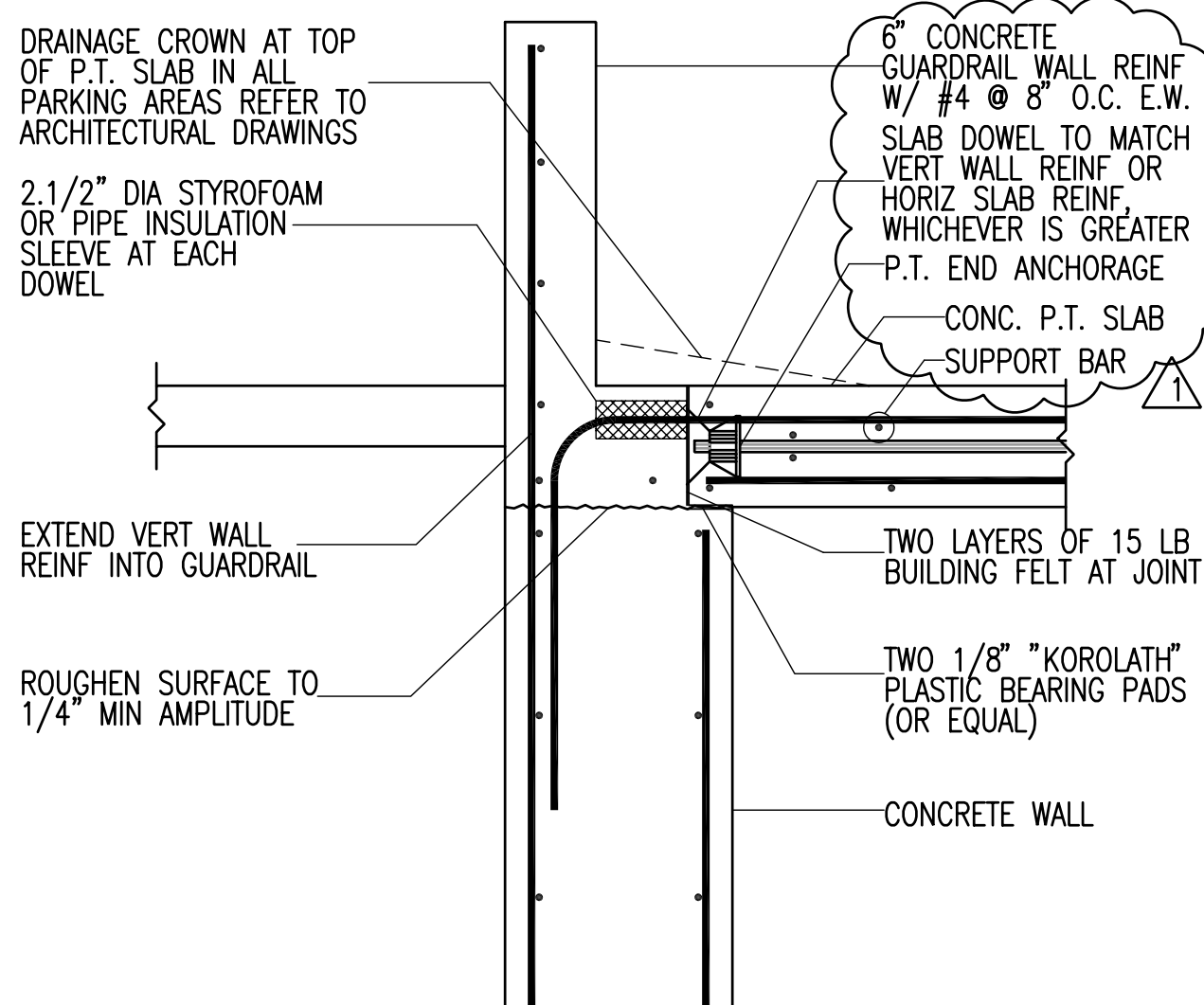
**B4** TYPICAL SHEAR HEAD AT CONCRETE COLUMN AT RAMP SLAB  
SF503 NO SCALE

2005-012A-SF503/B4



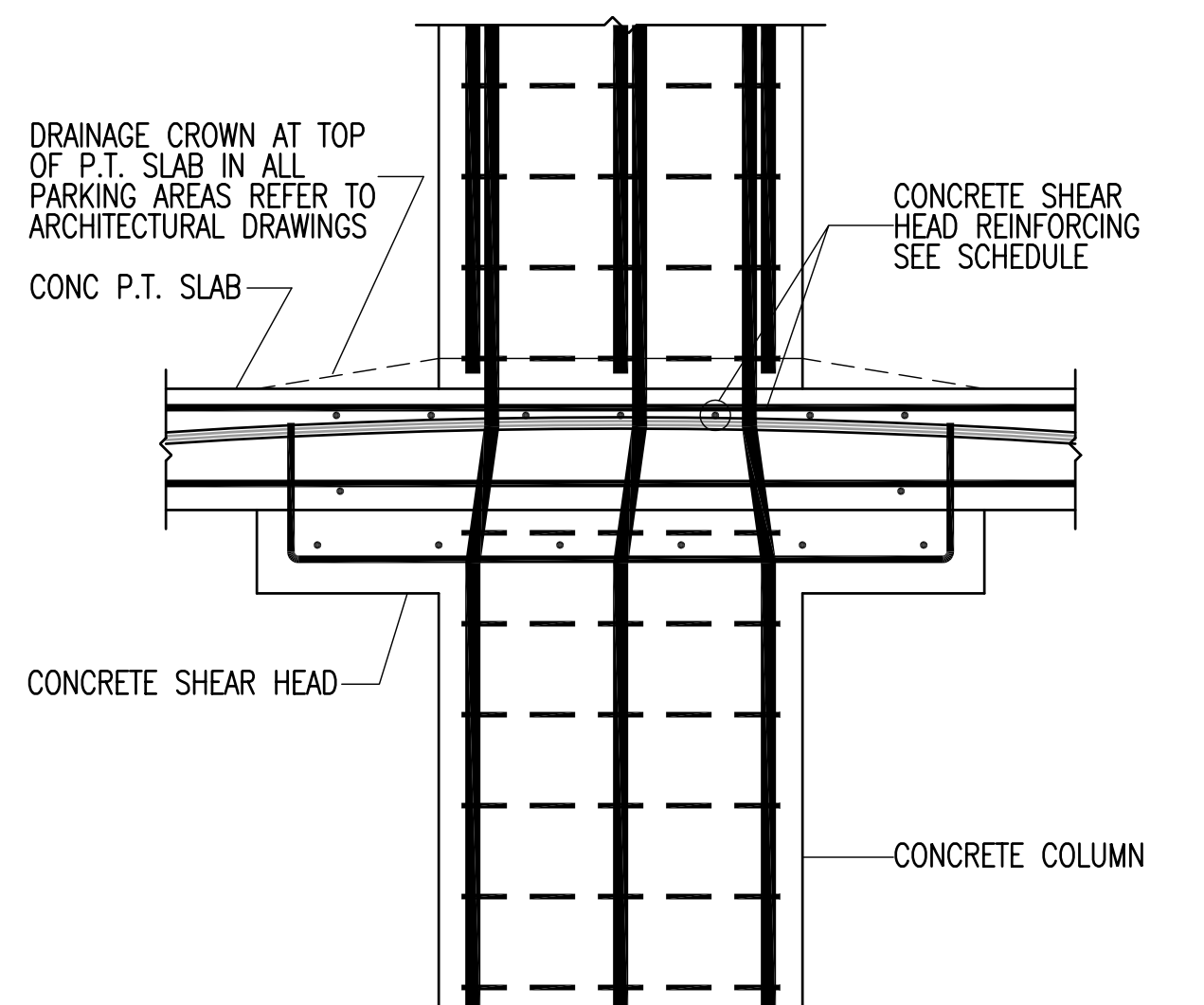
**B5** TYP SHEAR HEAD AT CONCRETE COLUMN AT RAMP SLAB  
SF503 NO SCALE

2005-012A-SF503/B5



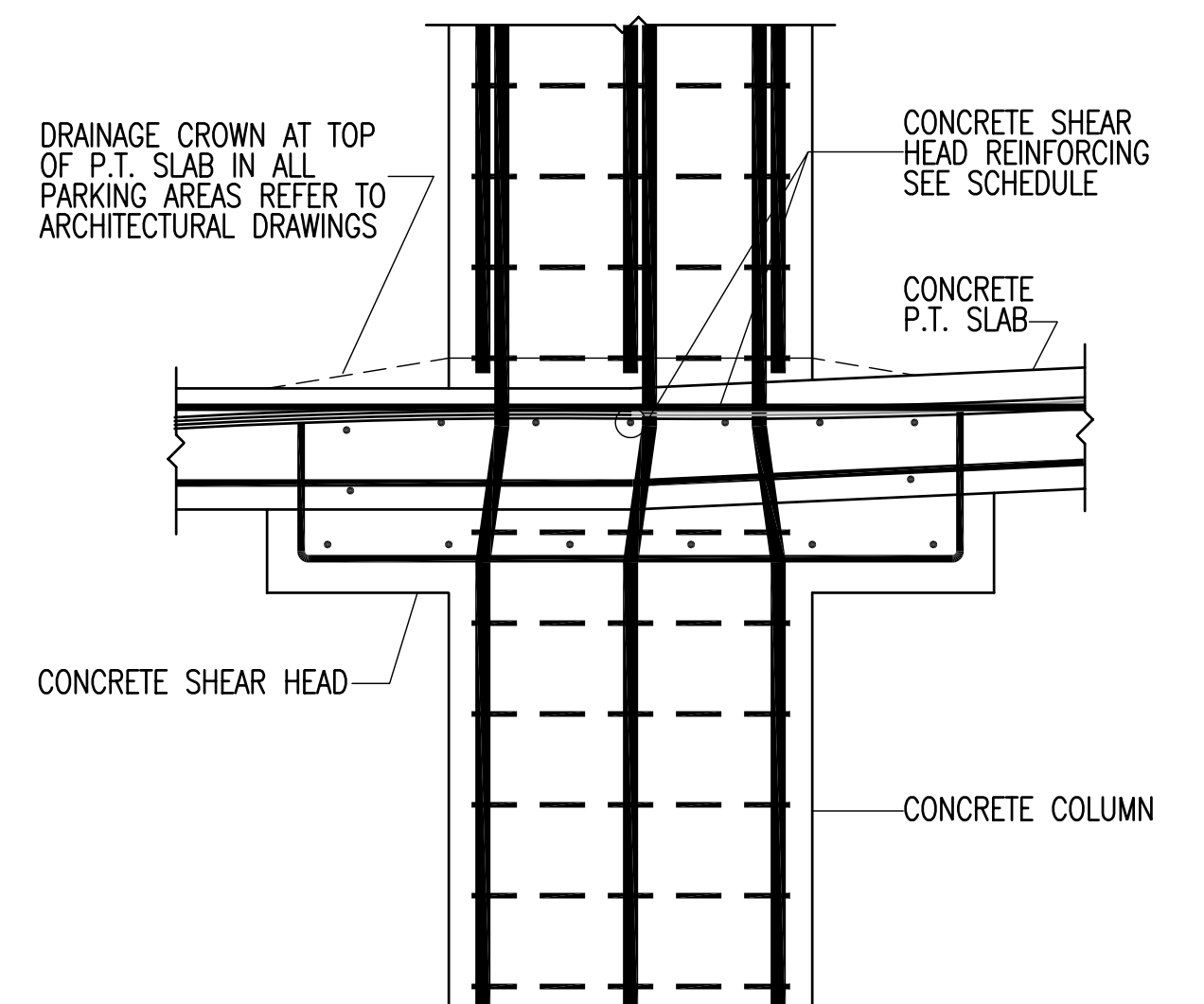
**A1** TYPICAL POST-TENSIONED CONCRETE SLAB AT CONCRETE WALL (SLIDE CONNECTION)  
SF503 NO SCALE

2005-012A-SF503/A1



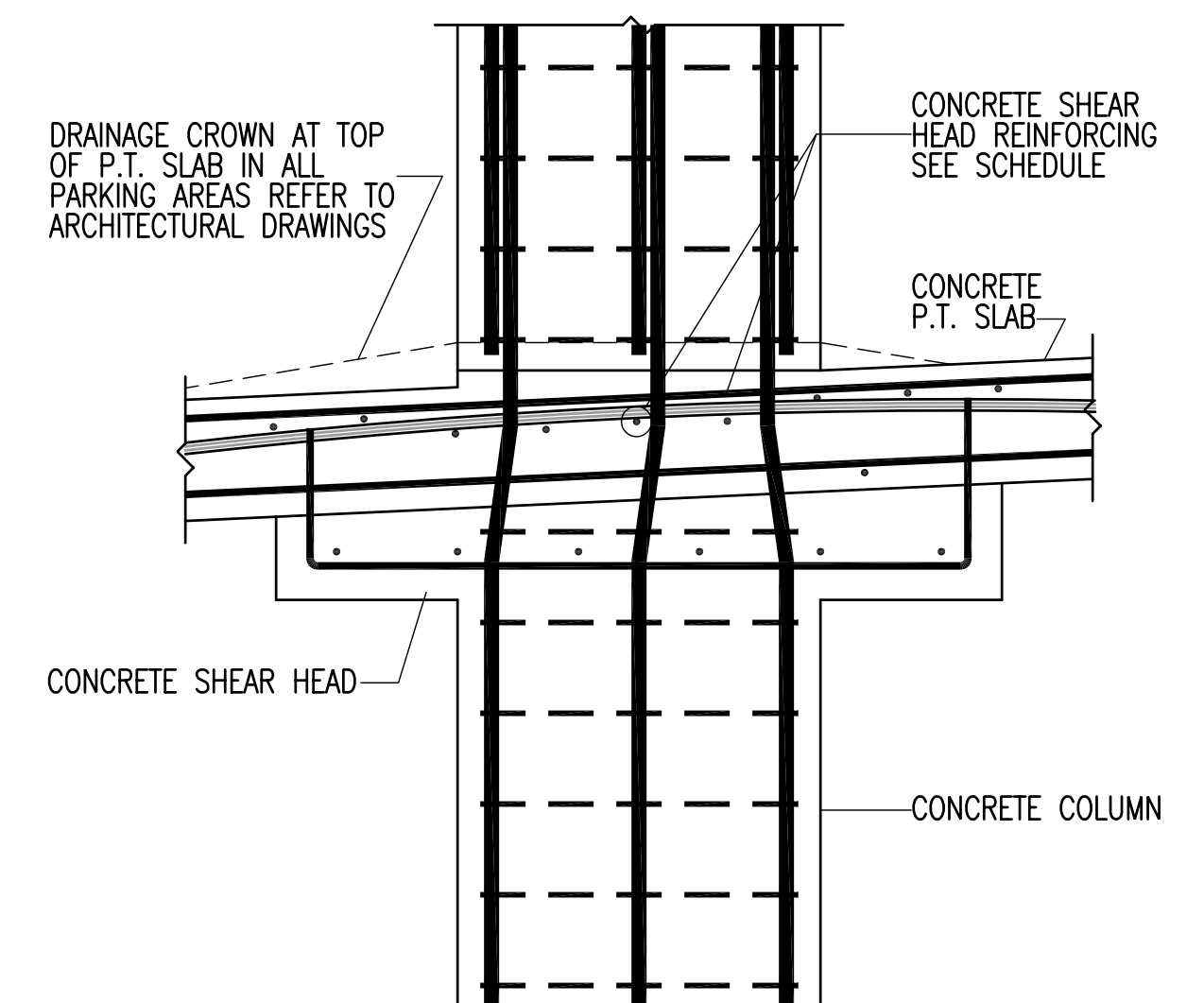
**A2** TYPICAL SHEAR HEAD AT CONCRETE COLUMN  
SF503 NO SCALE

2005-012A-SF503/A2



**A4** TYPICAL SHEAR HEAD AT CONCRETE COLUMN AT RAMP SLAB  
SF503 NO SCALE

2005-012A-SF503/A4



**A5** TYP SHEAR HEAD AT CONCRETE COLUMN AT RAMP SLAB  
SF503 NO SCALE

2005-012A-SF503/A5

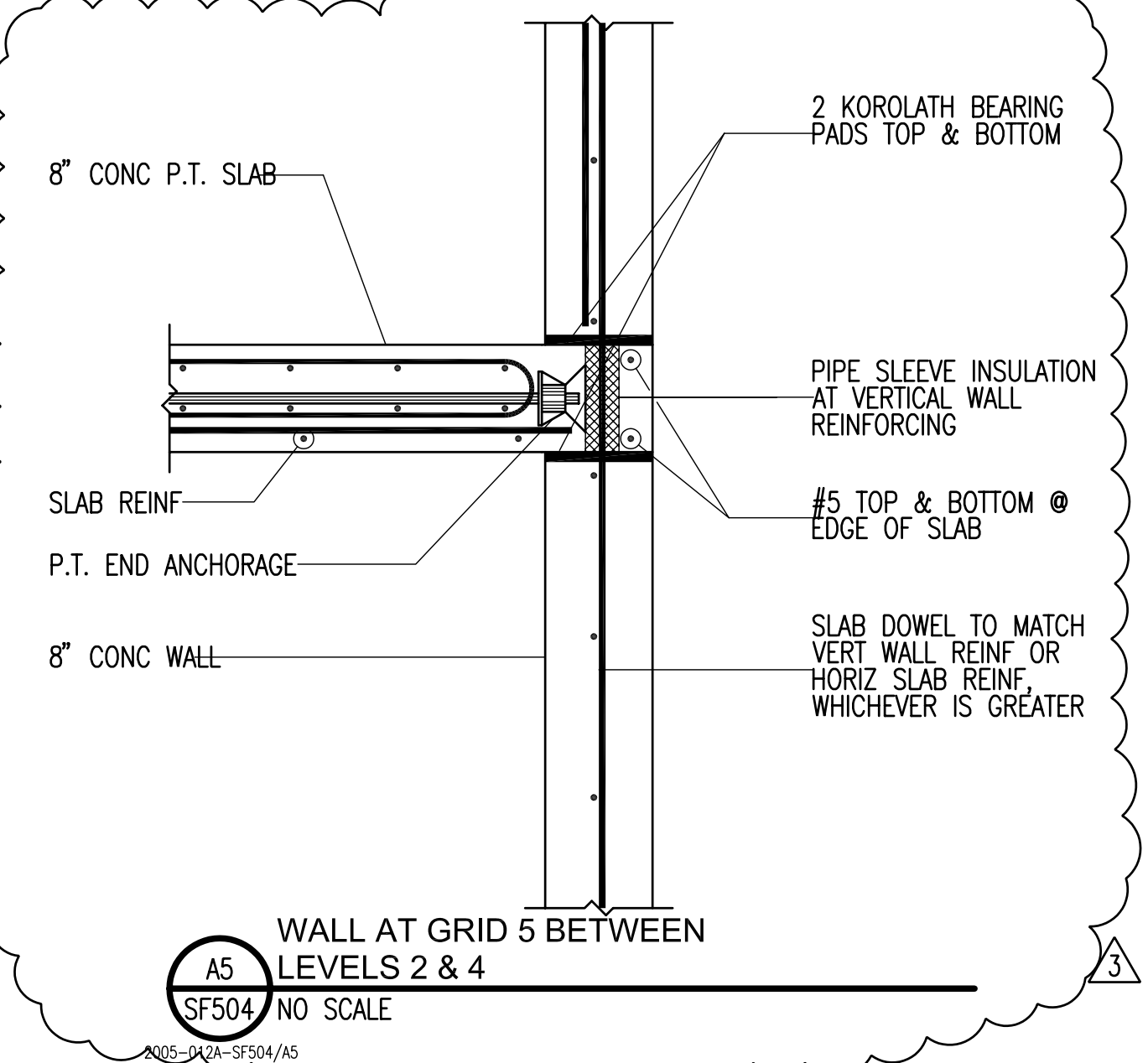
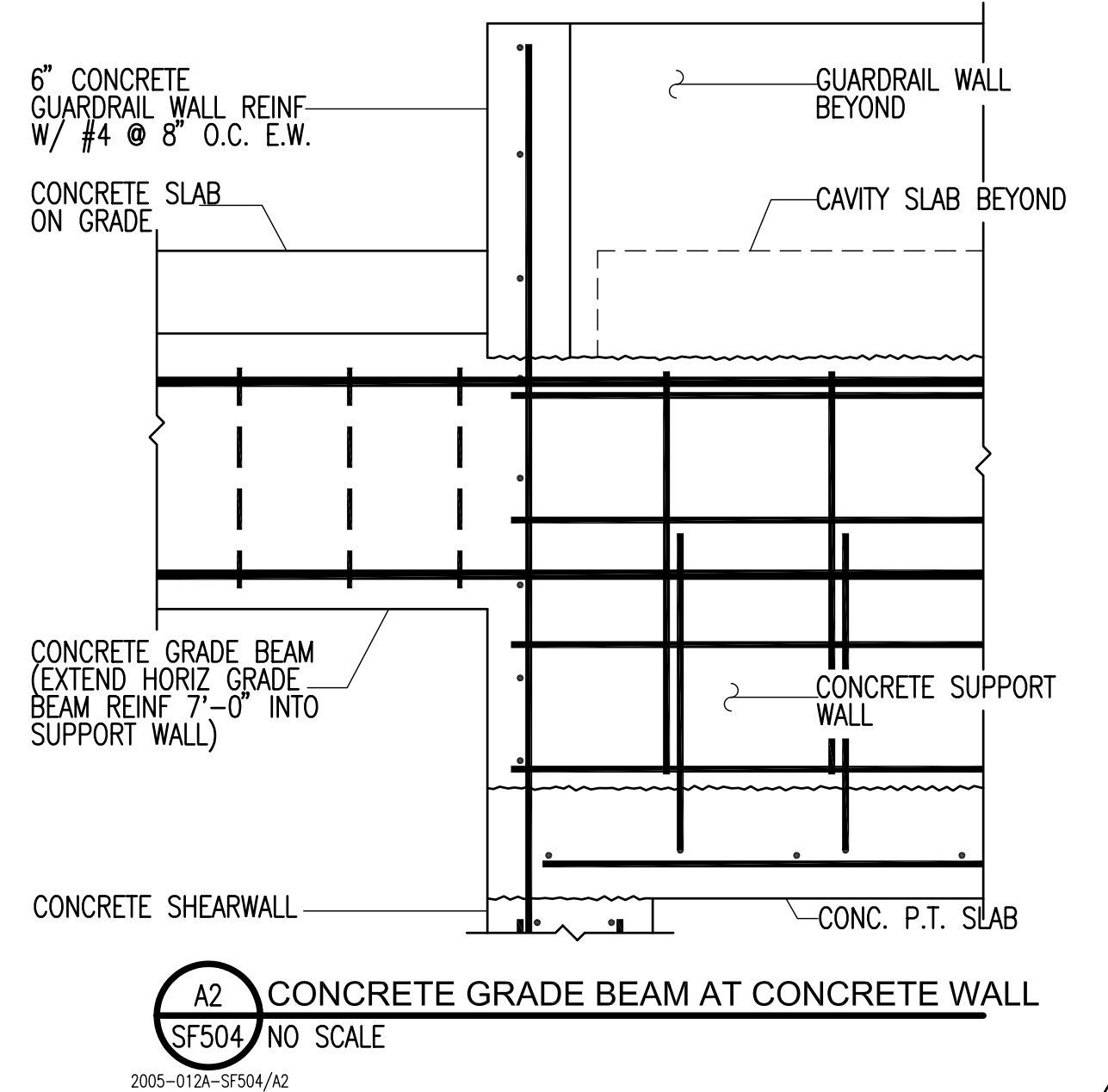
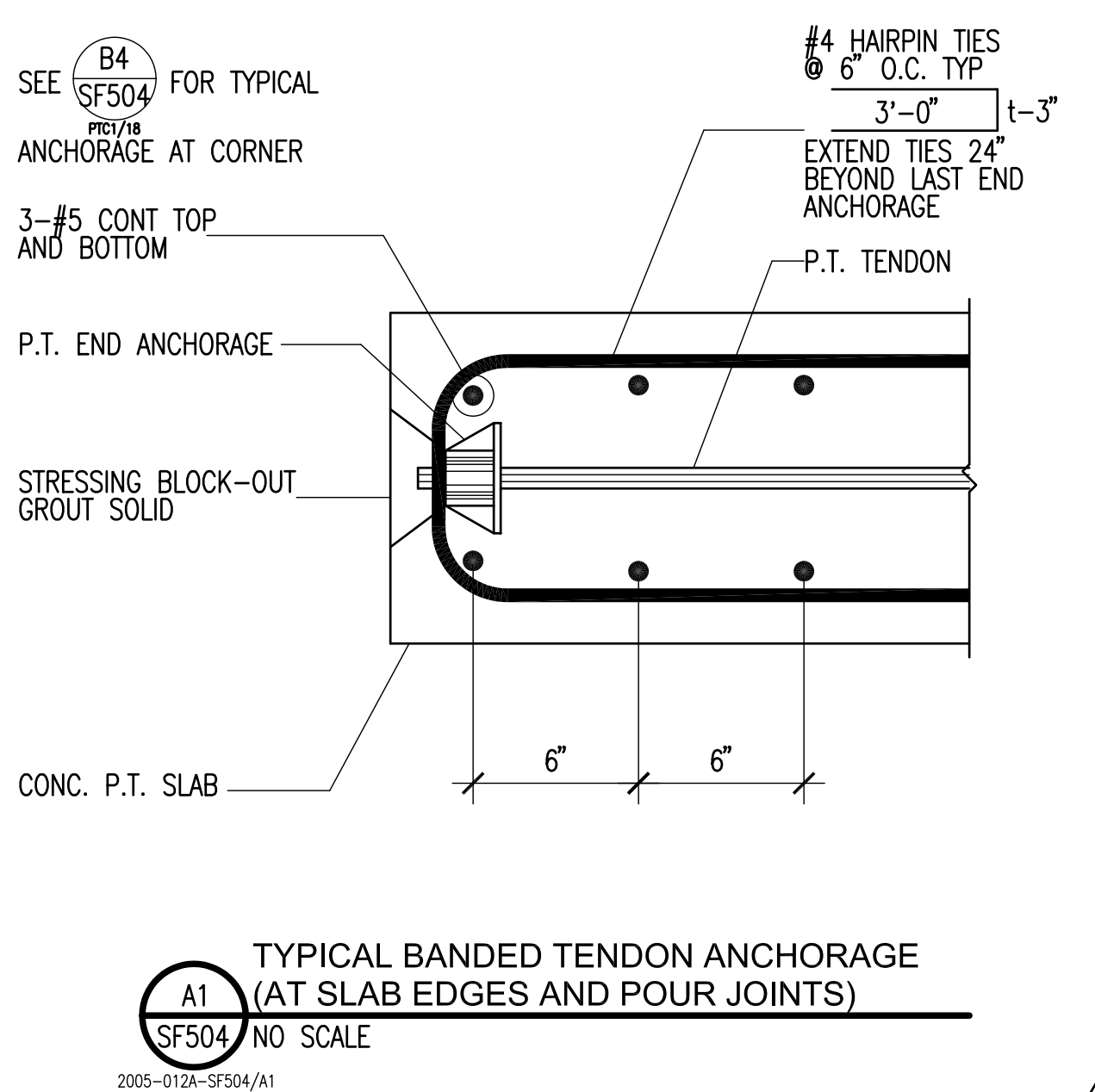
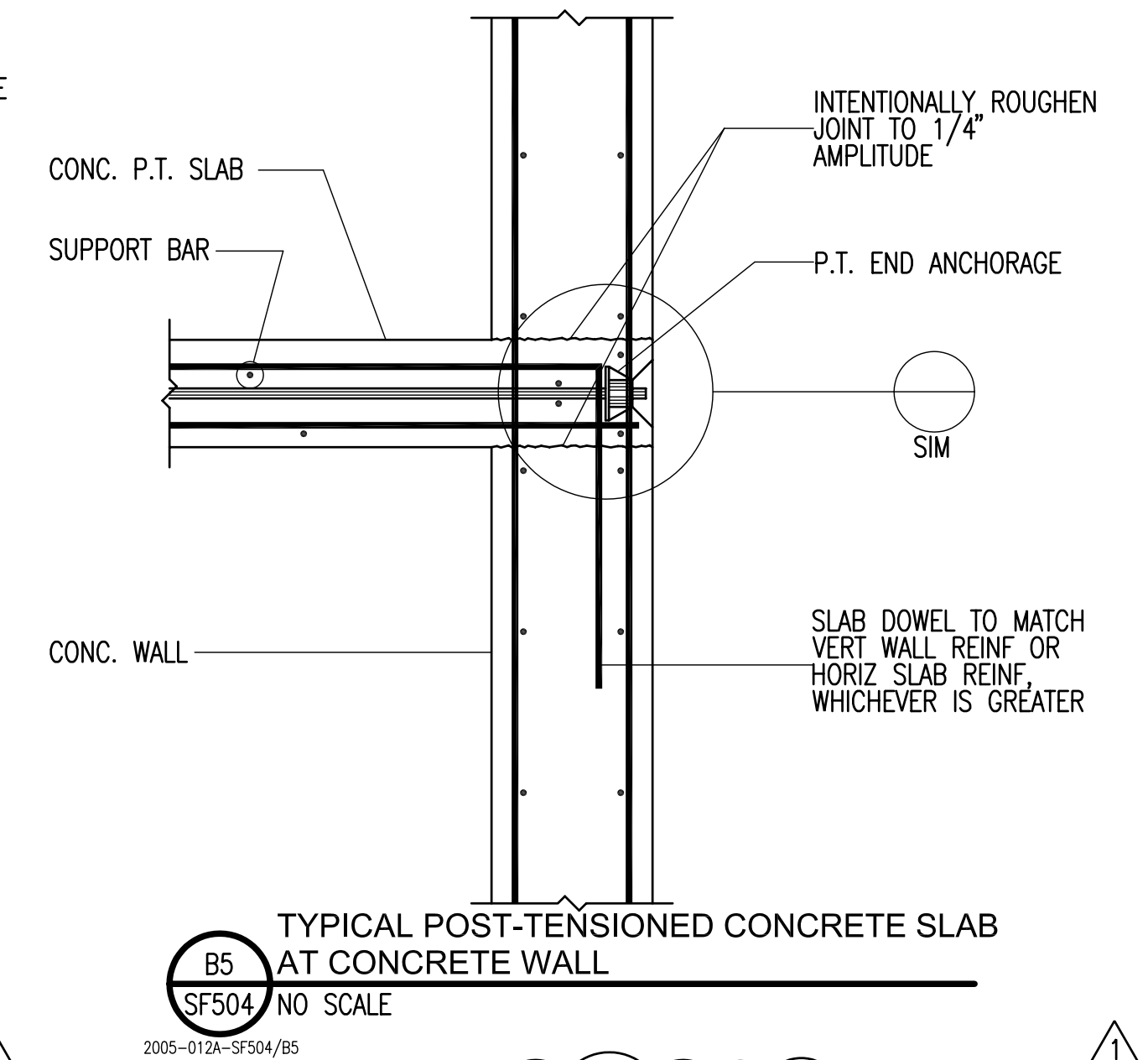
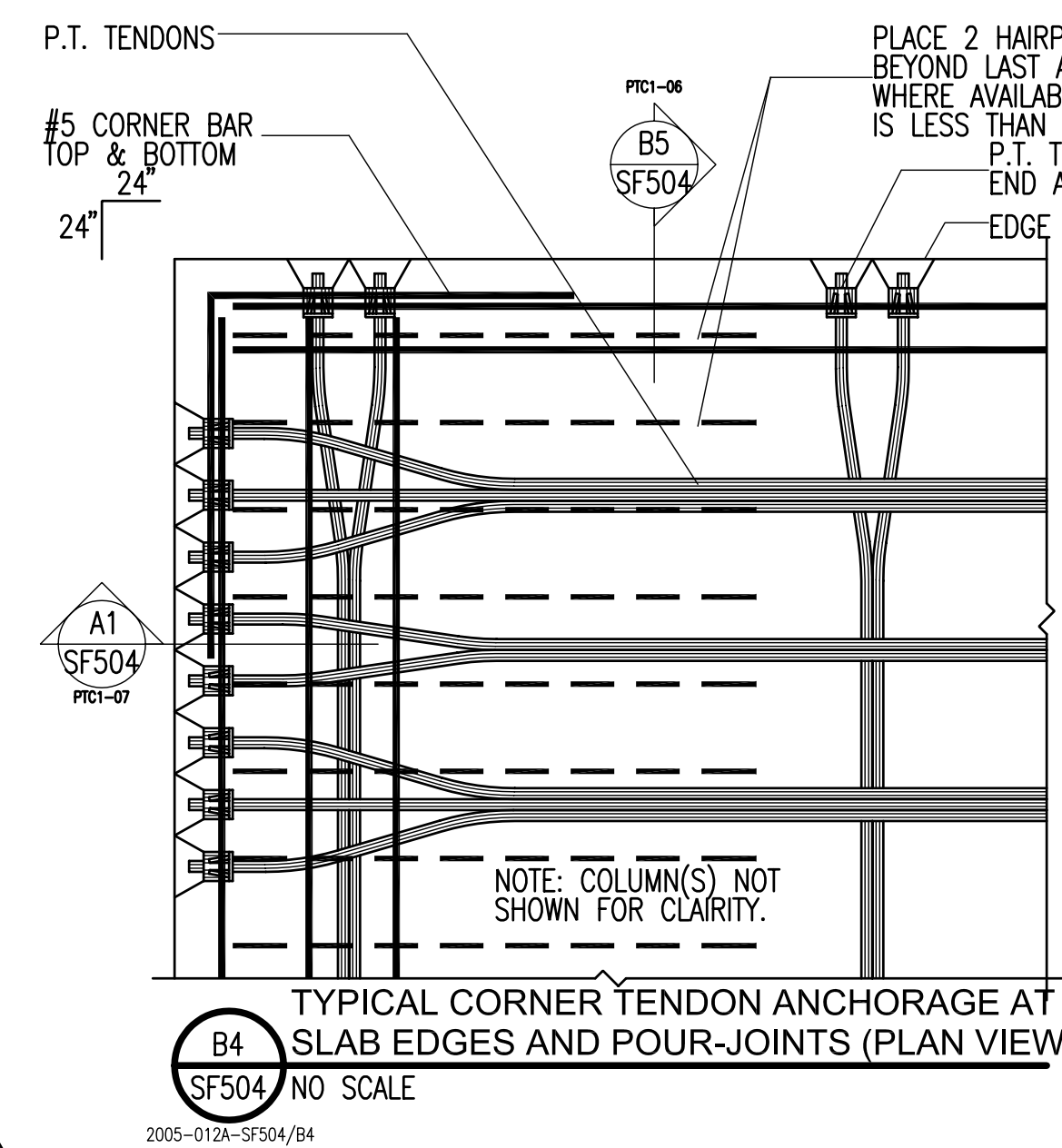
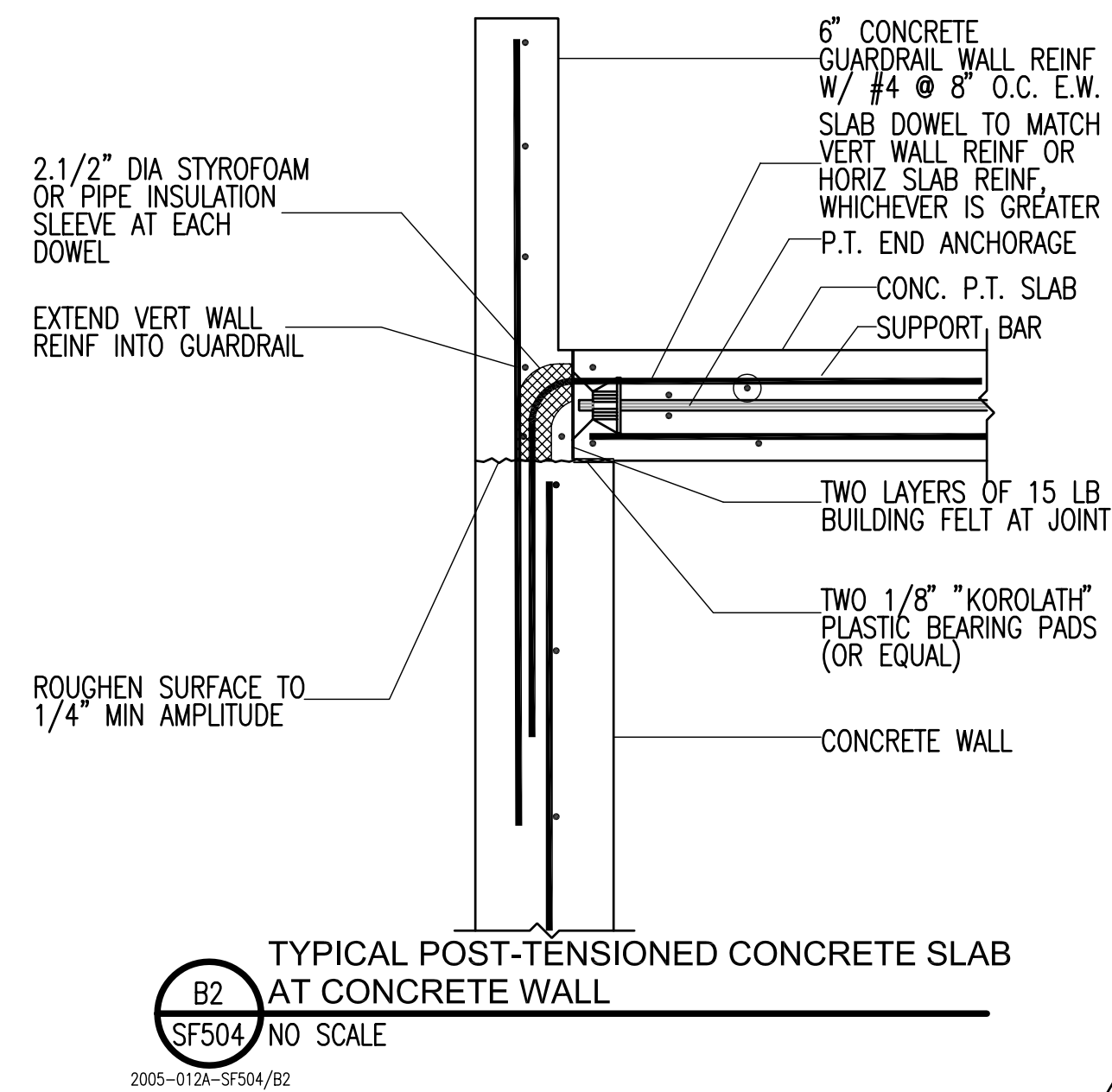
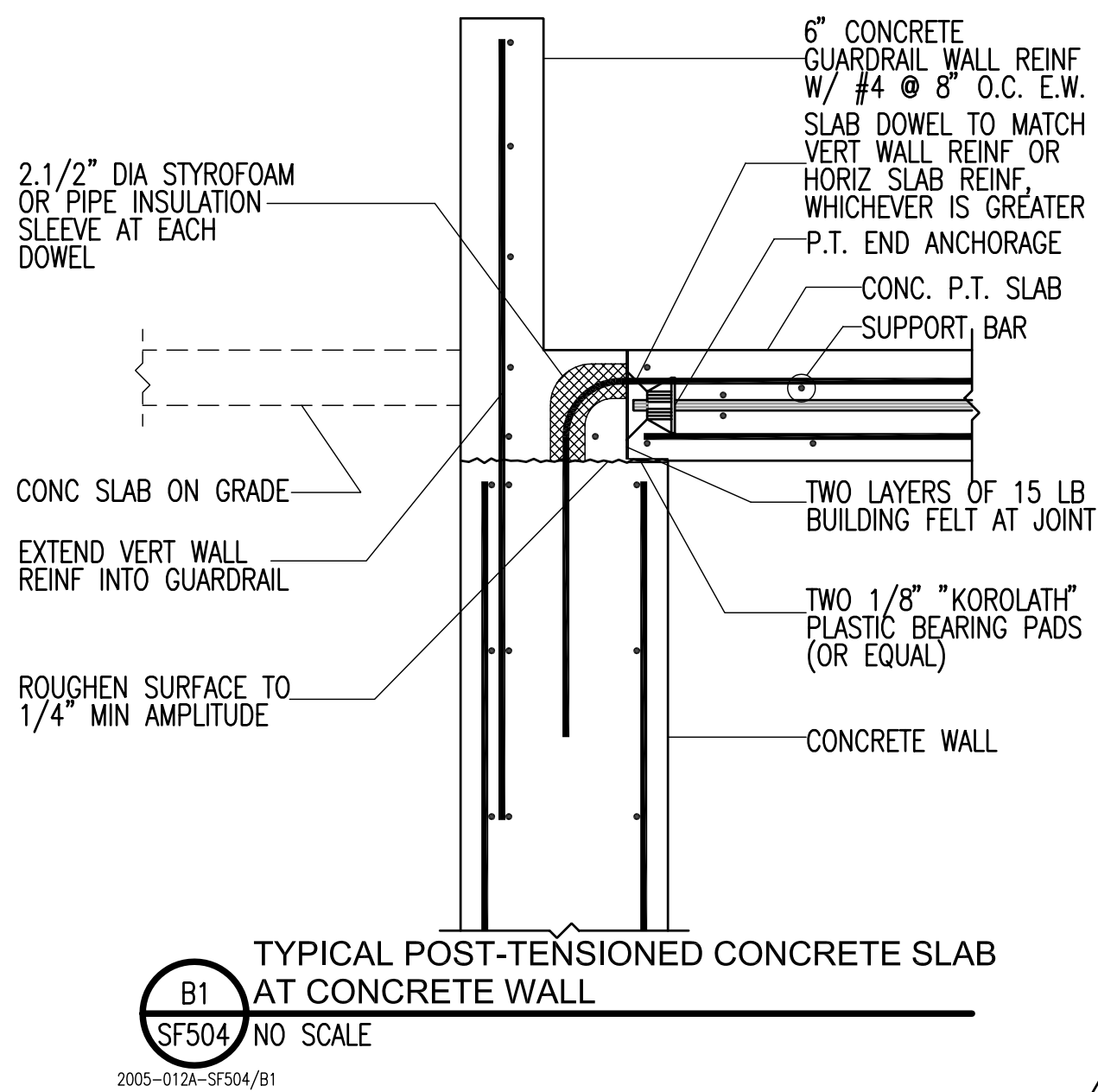
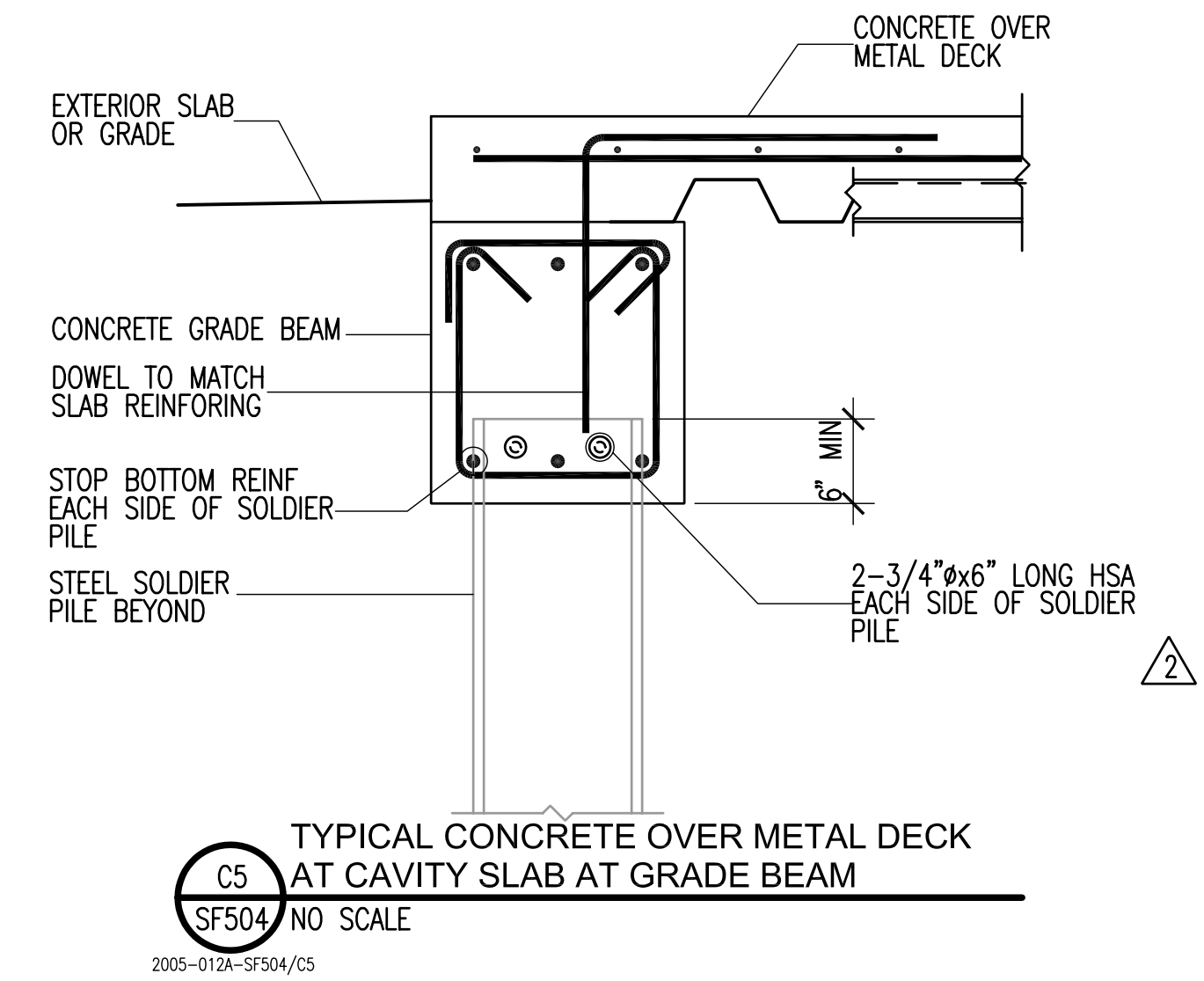
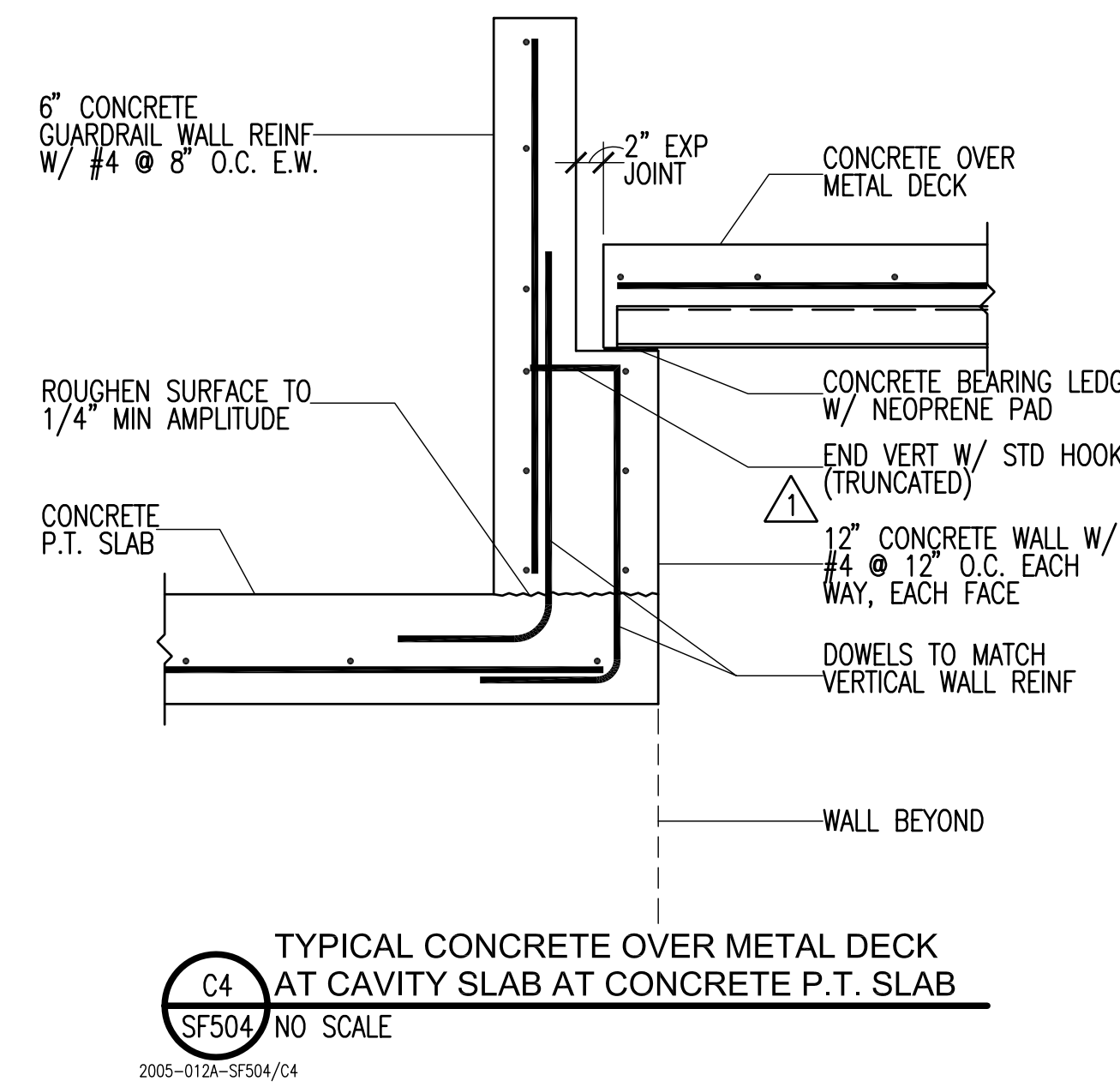
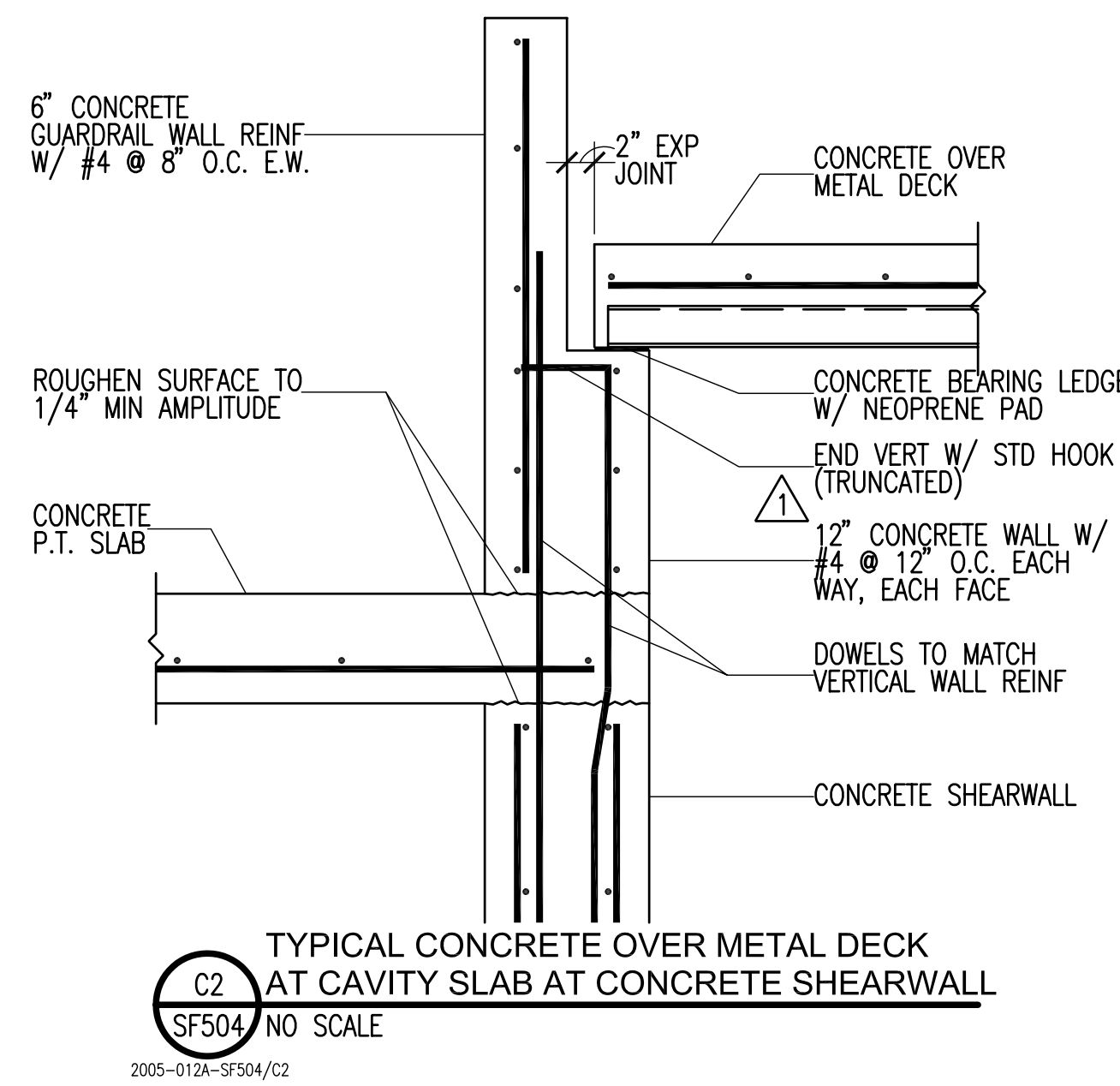
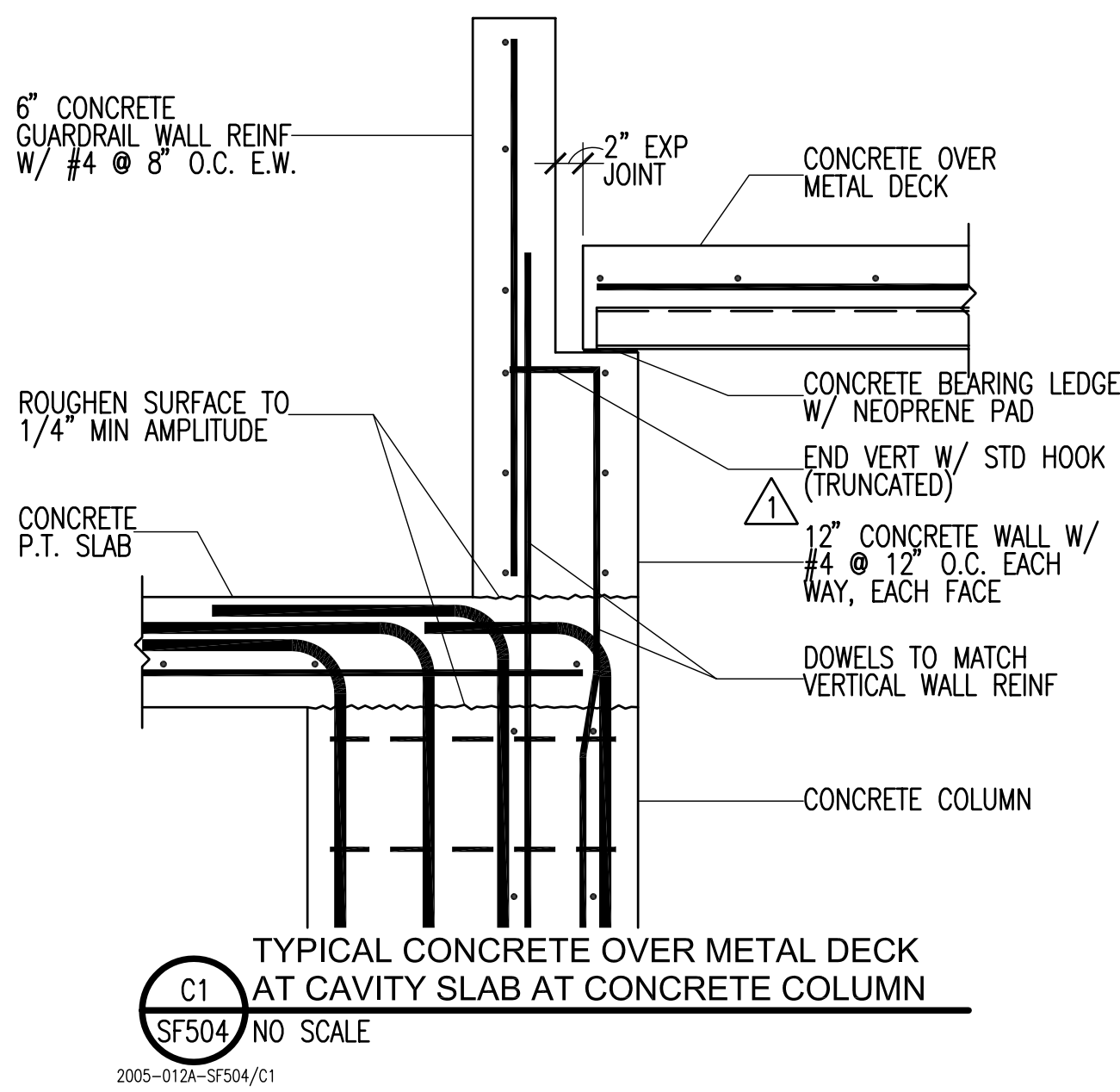
DATE	STATUS
3.28.2006	CD
4.05.2006	ADDENDUM #1
6.25.2006	SS#1
12.18.05	SS#4
9.2006	RECD WMS

PROJECT NUMBER	4100
CAD DWG FILE	SF504.dwg
DRAWN BY	DAM/REA
CHECKED BY	CP/UTM

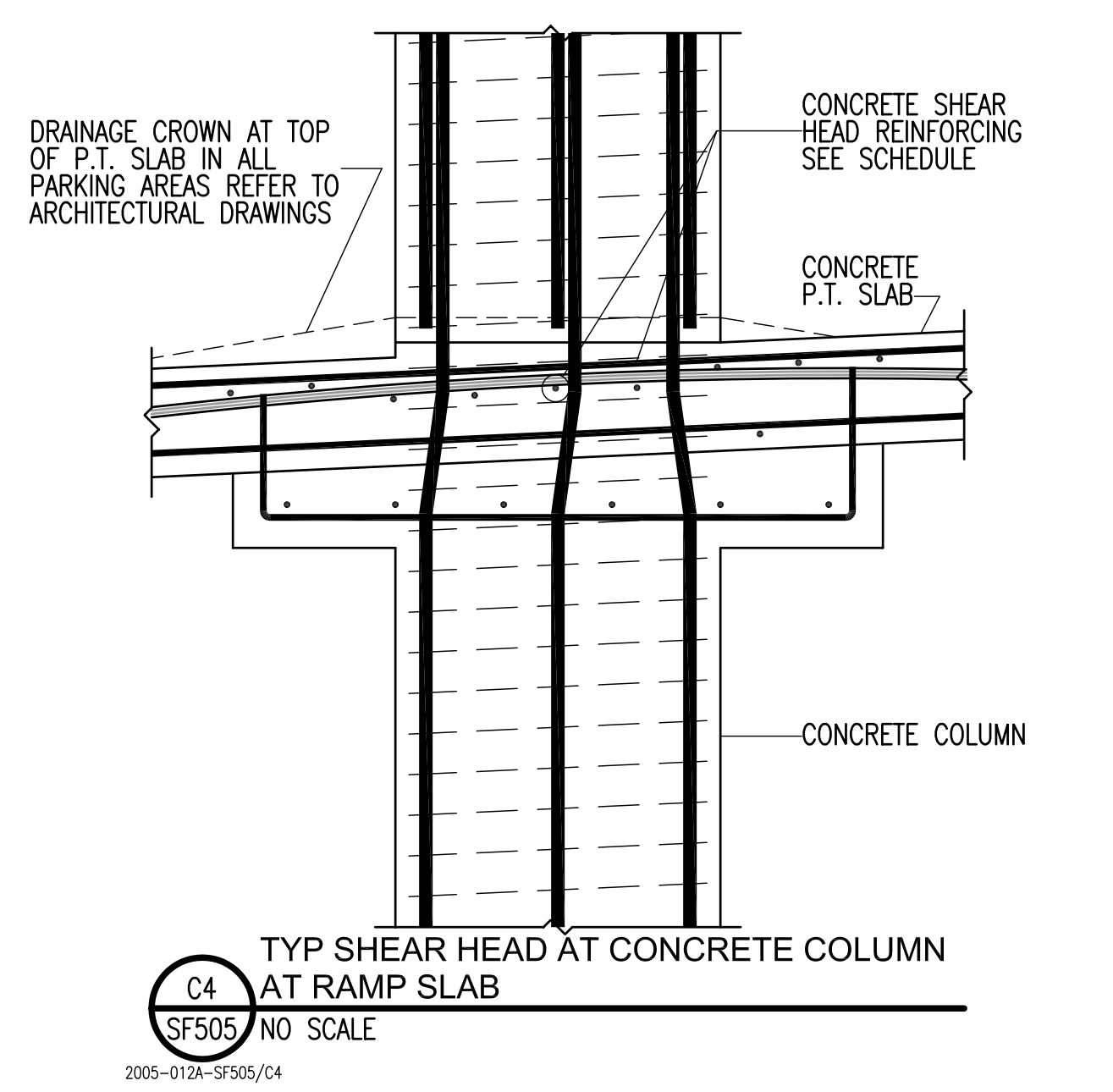
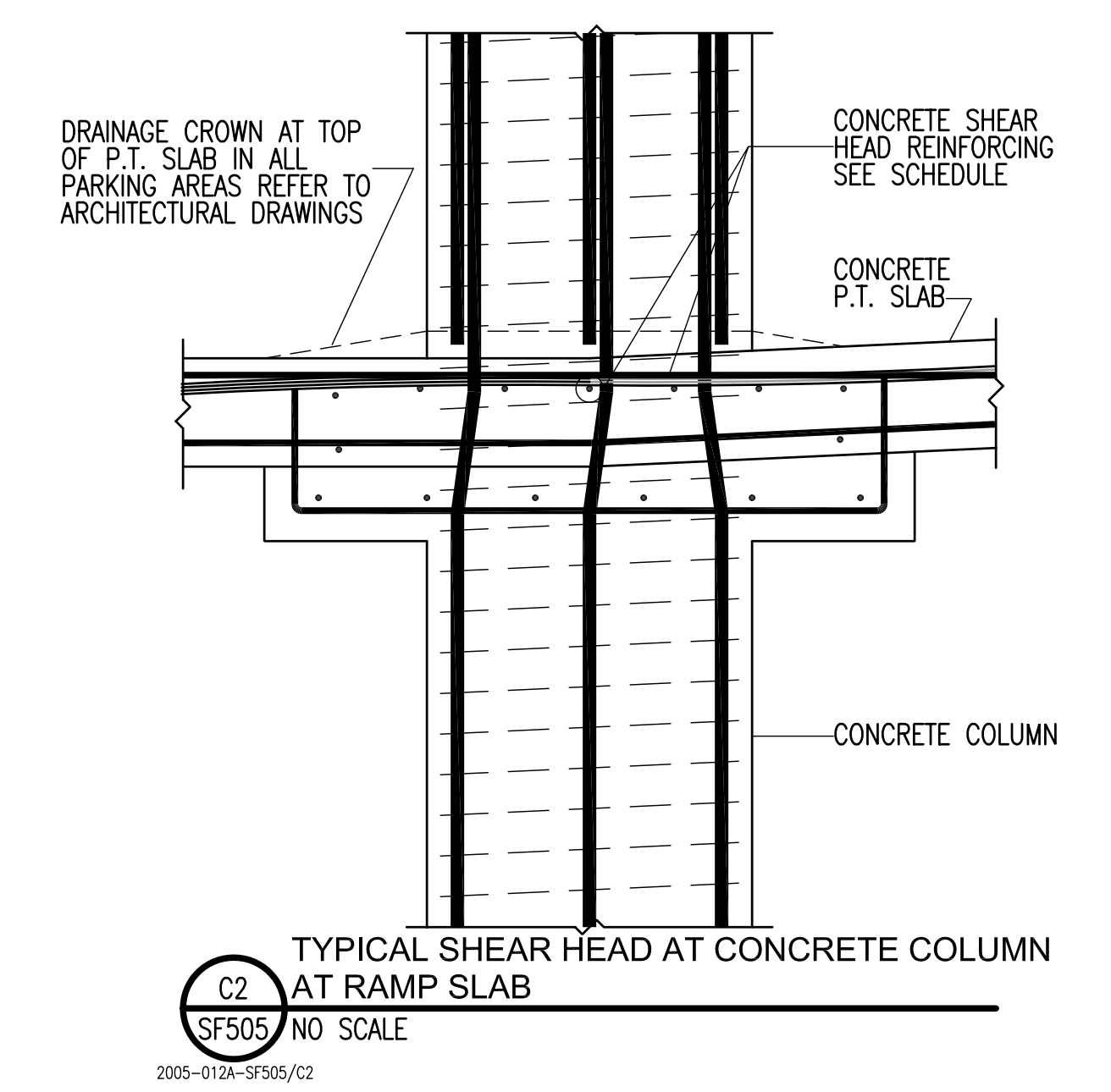
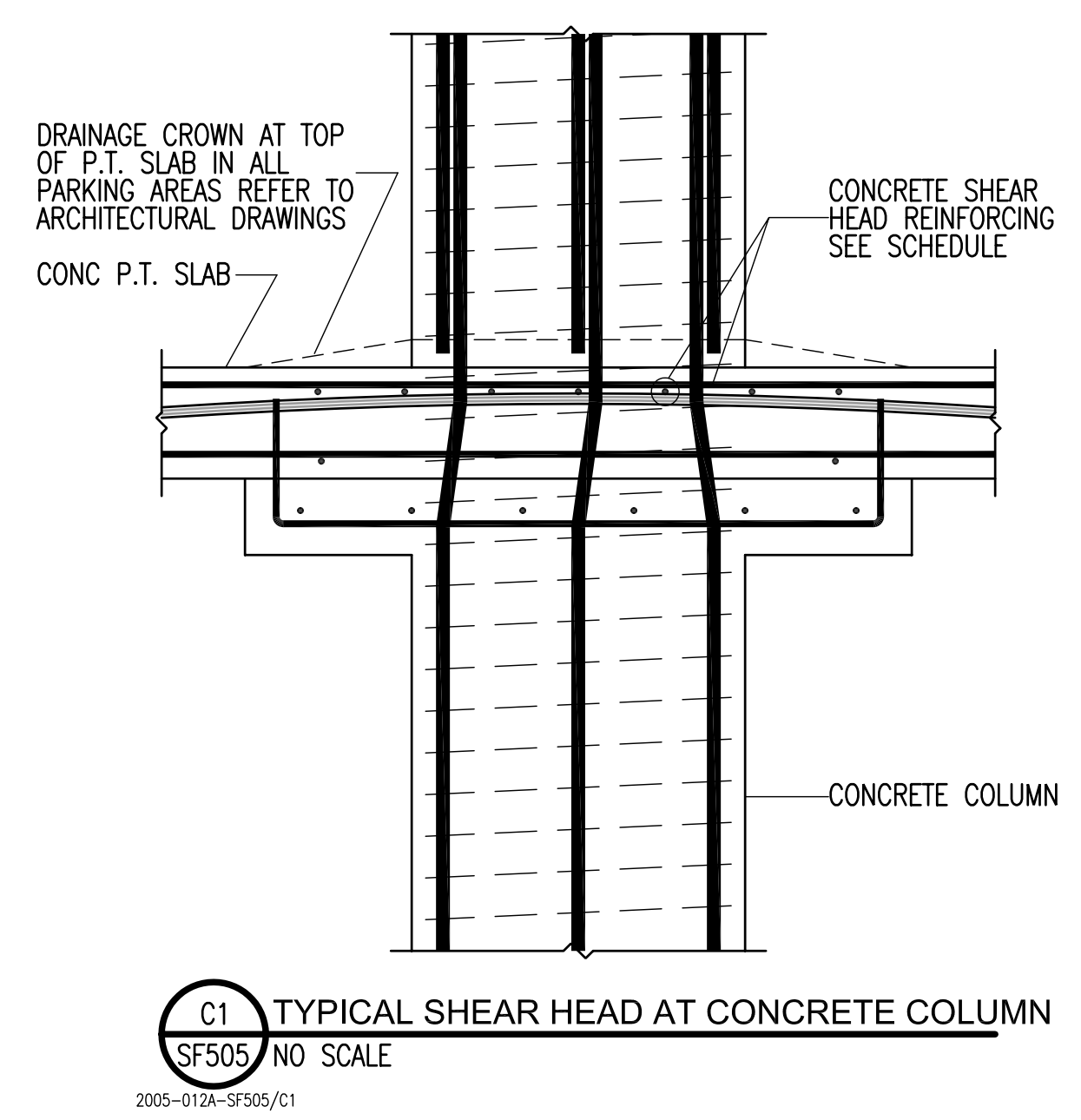
SCALE NONE

**FLOOR  
FRAMING  
DETAILS**

SF504







DATE	STATUS
3.23.2006	CD

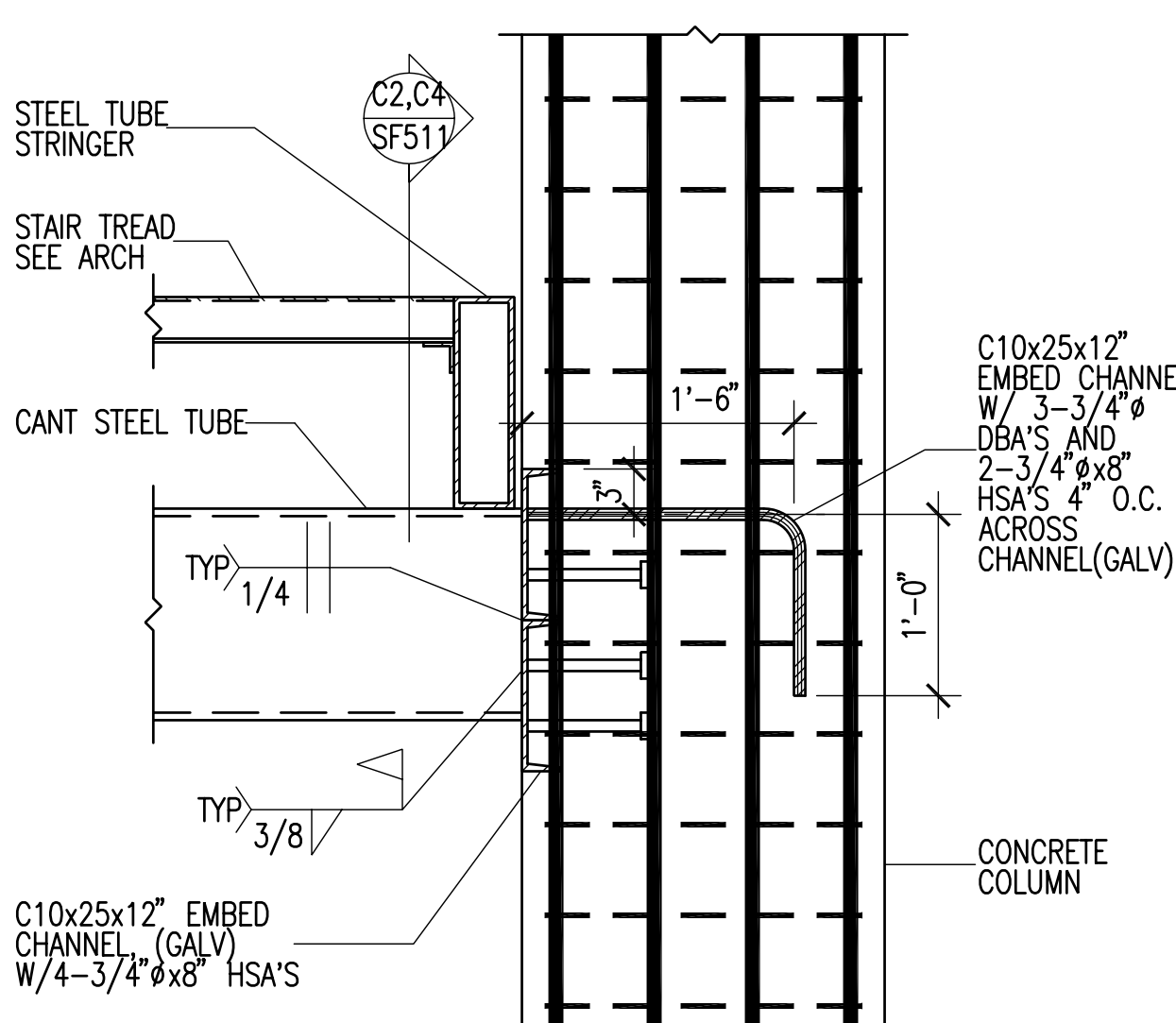
PROJECT NUMBER	4100
CAD DWG FILE	SF503.dwg
DRAWN BY	DAM/REA
CHECKED BY	CP/JTM

SCALE: NONE

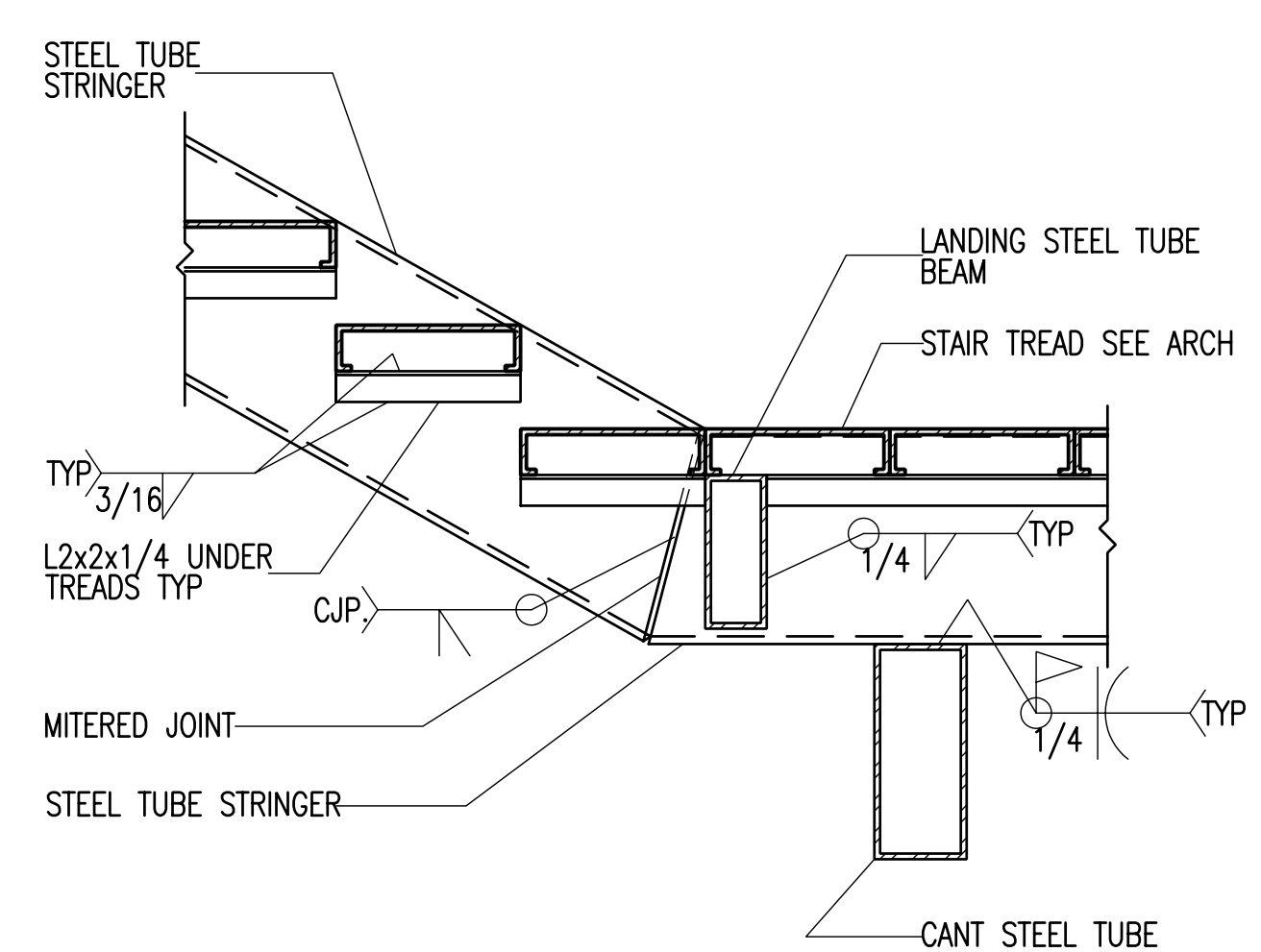
**FLOOR  
FRAMING  
DETAILS**

SF505

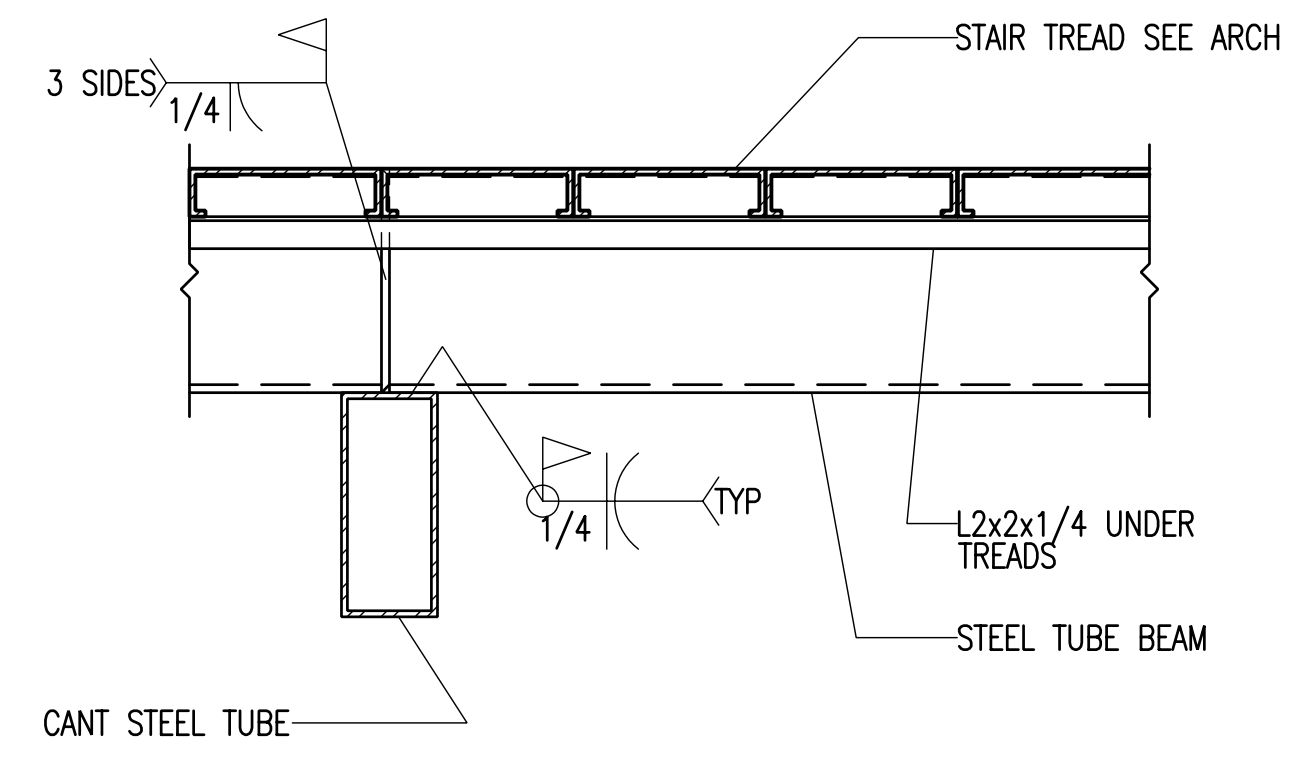
DATE	STATUS
3.28.2006	CD
4.05.2006	ADDENDUM #1
PROJECT NUMBER 4100	
CAD DWG FILE SF511.DWG	
DRAWN BY DAM/REA	
CHECKED BY CP/JTM	



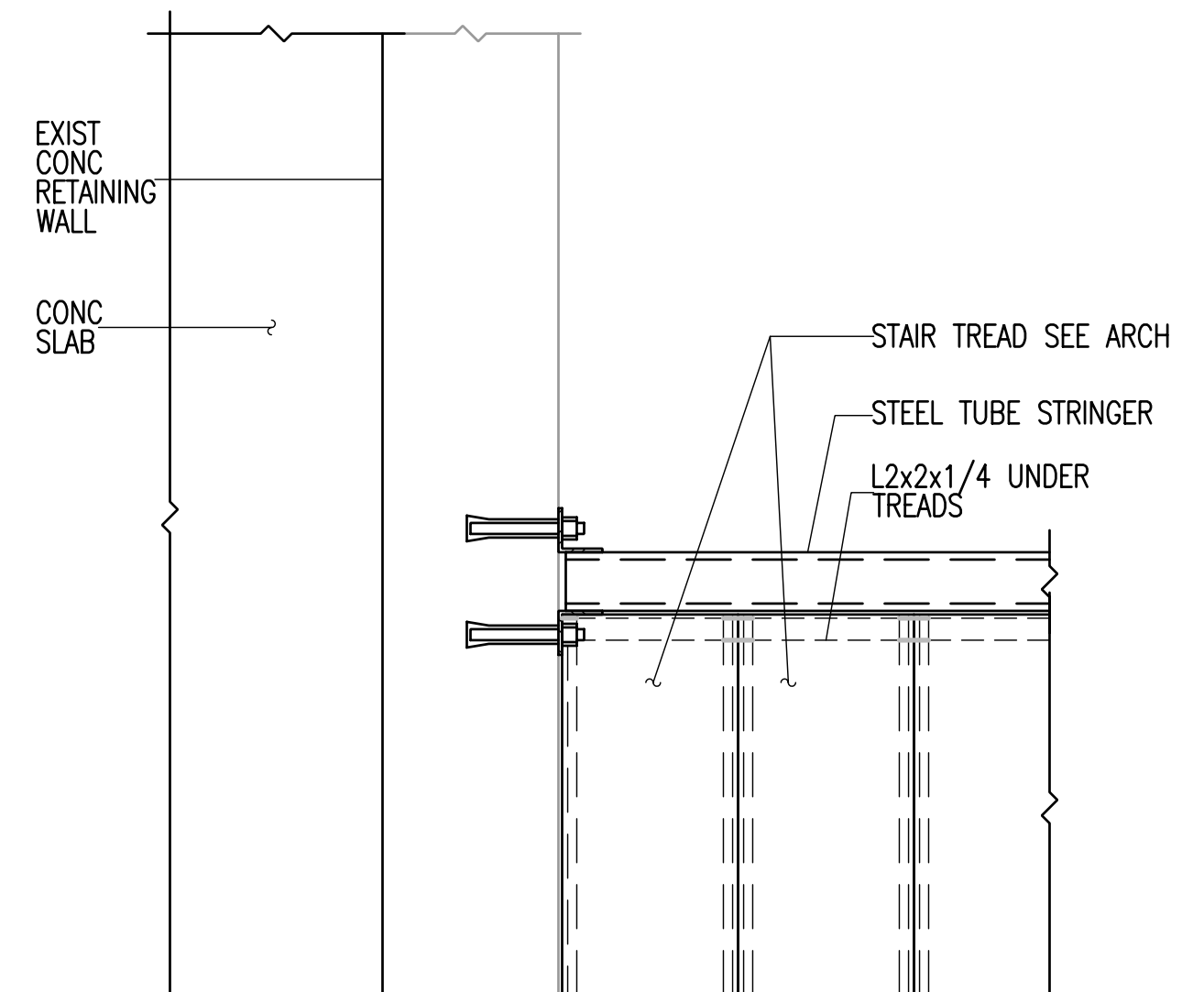
**C1** STAIR CANTILEVERED SUPPORTS AT CONCRETE COLUMN DETAIL  
SF511 NO SCALE  
2005-012A-SF511/C1



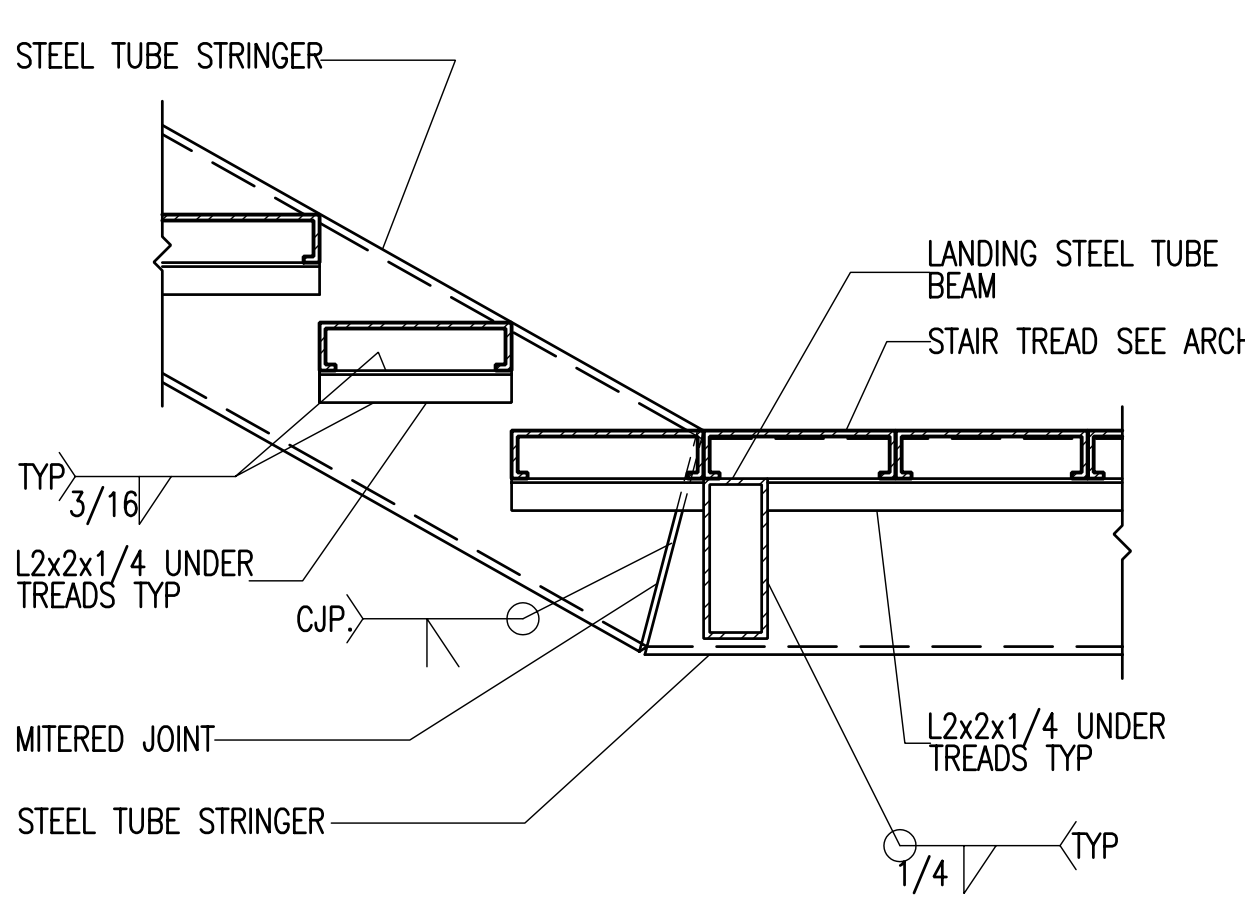
**C2** STAIR STRINGER SUPPORTS DETAIL  
SF511 NO SCALE  
2005-012A-SF511/C2



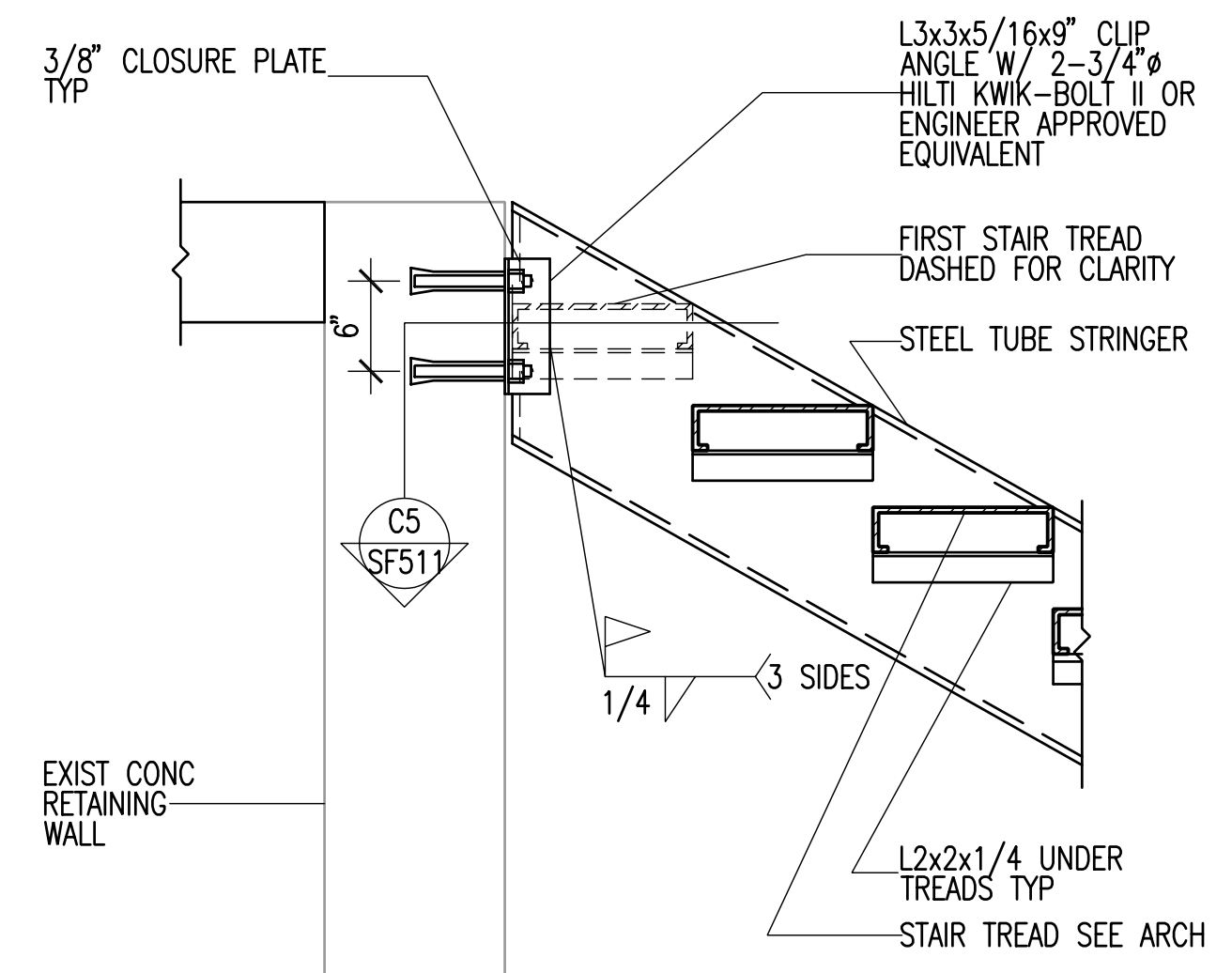
**C4** STAIR CANTILEVERED SUPPORTS @ BEAM SPLICE DETAIL  
SF511 NO SCALE  
2005-012A-SF511/C4



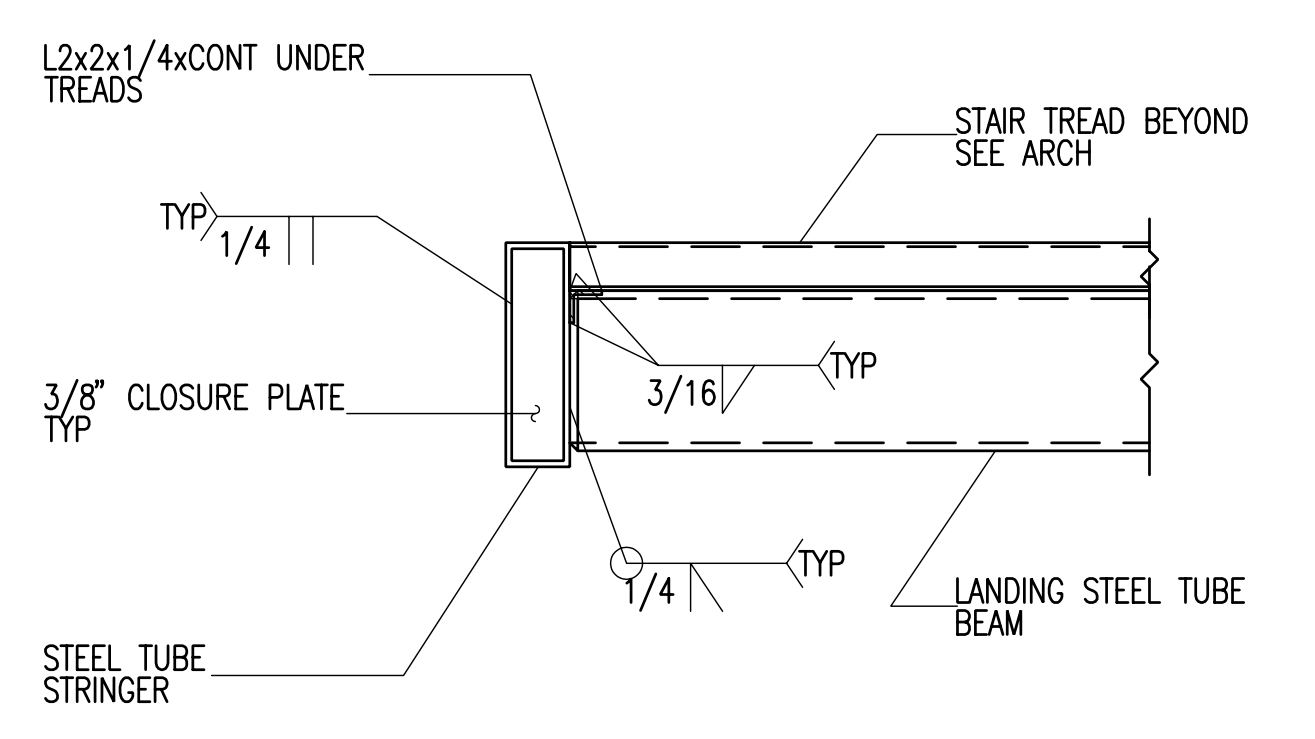
**C5** STAIR STRINGER CONNECTION TO CONCRETE RETAINING WALL (PLAN VIEW)  
SF511 NO SCALE  
2005-012A-SF511/C5



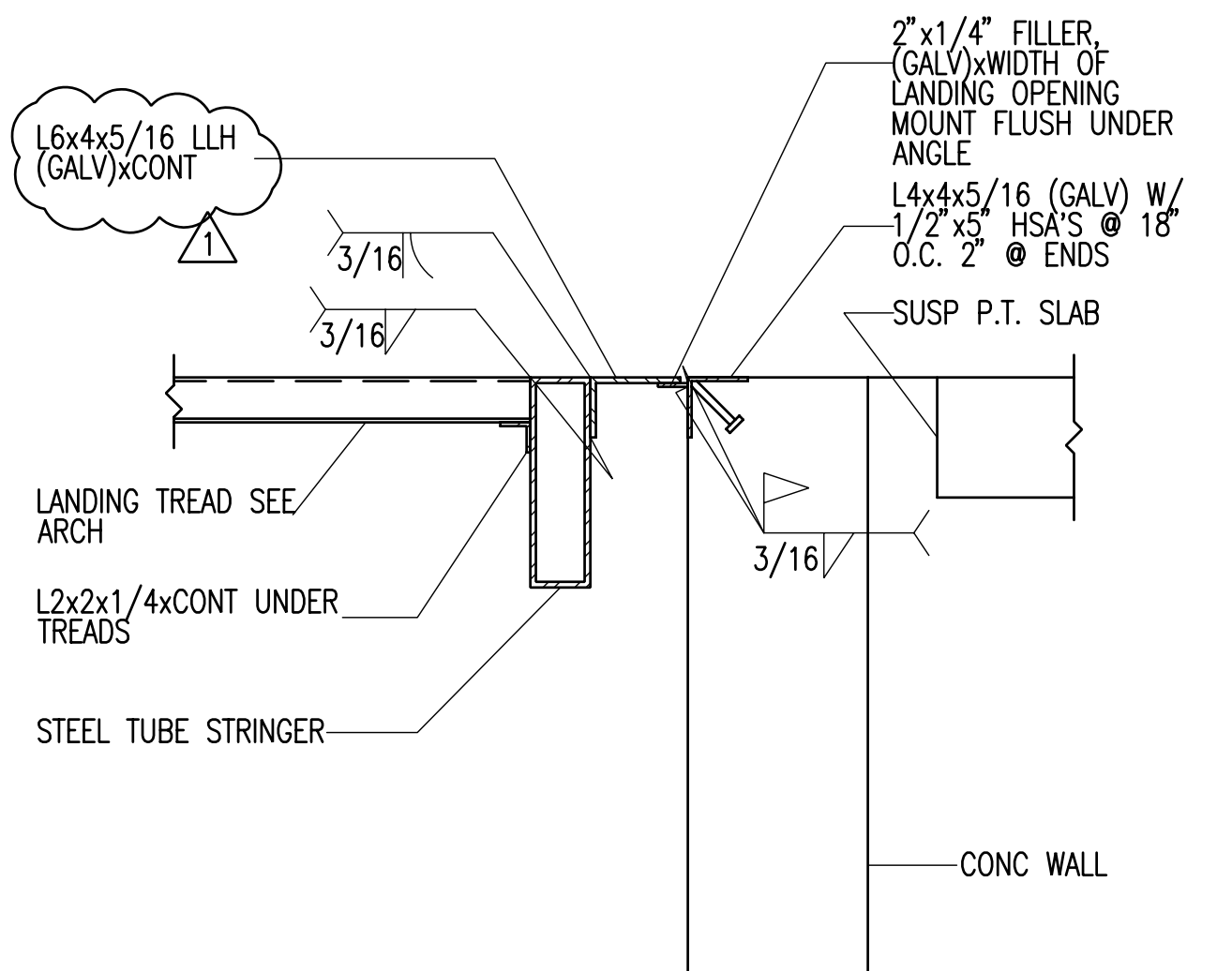
**B1** STAIR STRINGER DETAIL  
SF511 NO SCALE  
2005-012A-SF511/B1



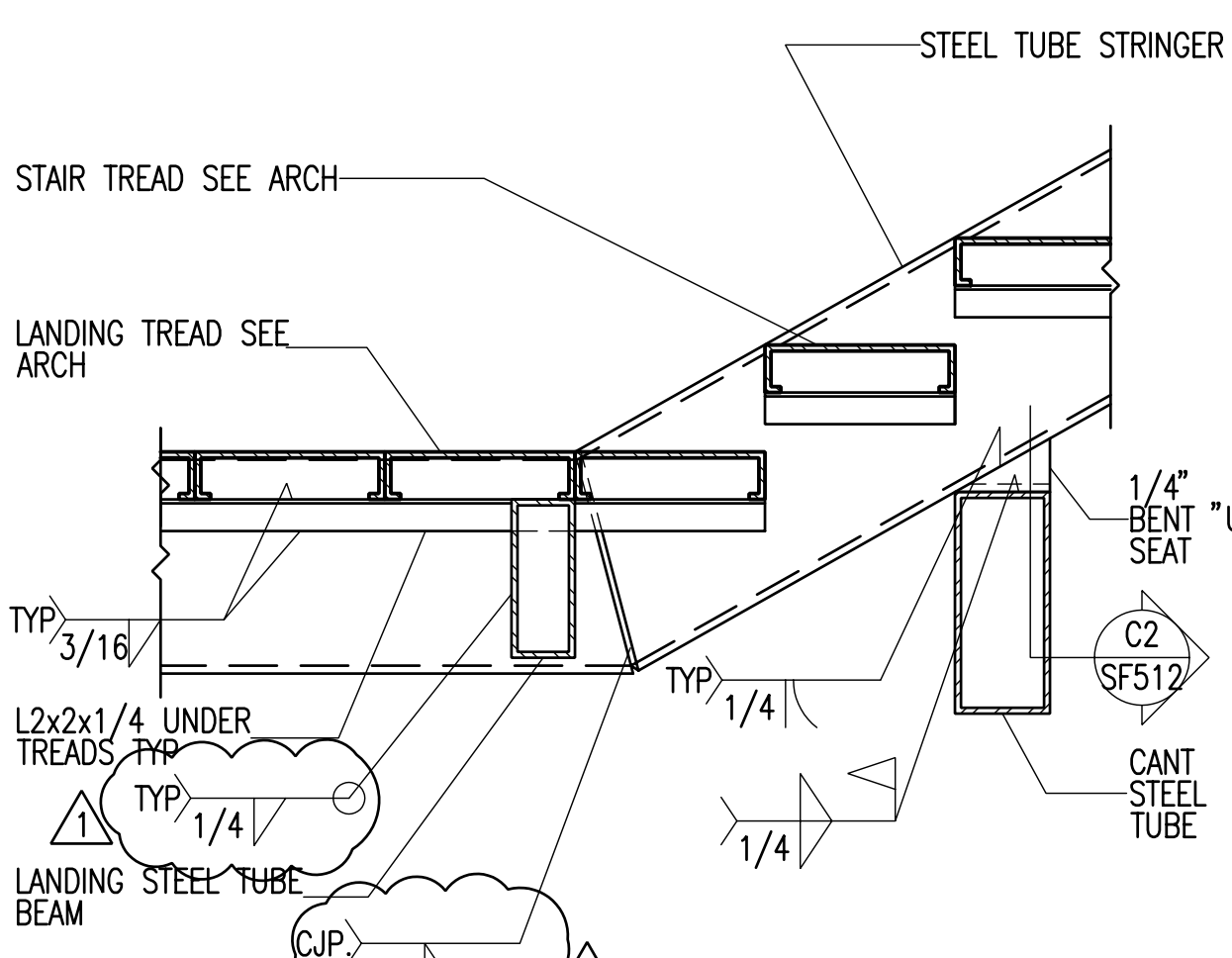
**B2** STAIR STRINGER CONNECTION TO CONCRETE WALL DETAIL  
SF511 NO SCALE  
2005-012A-SF511/B2



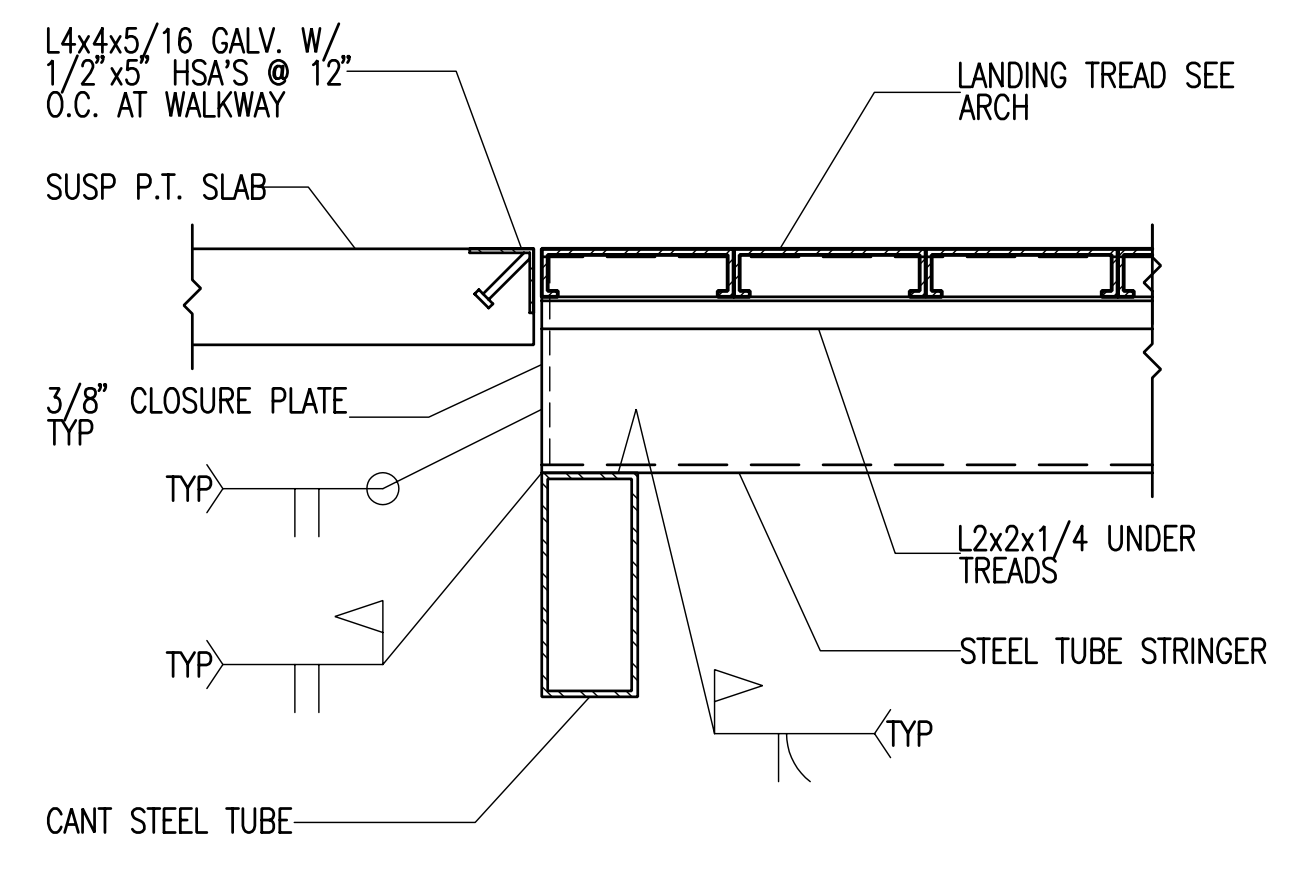
**B4** STAIR LANDING TUBE BEAM DETAIL  
SF511 NO SCALE  
2005-012A-SF511/B4



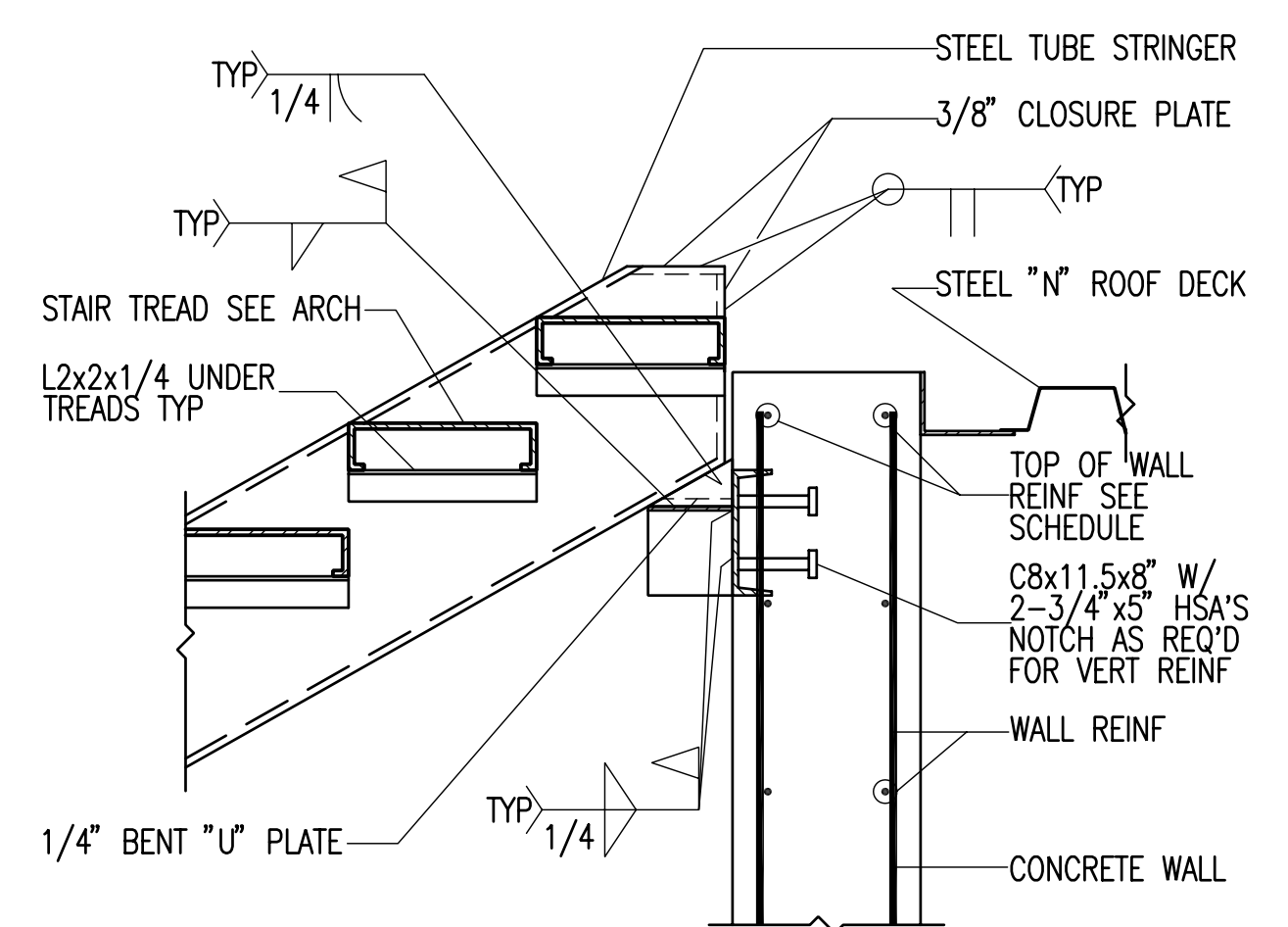
**B5** STAIR LANDING CONNECTION @ P.T. SLAB DETAIL  
SF511 NO SCALE  
2005-012A-SF511/B5



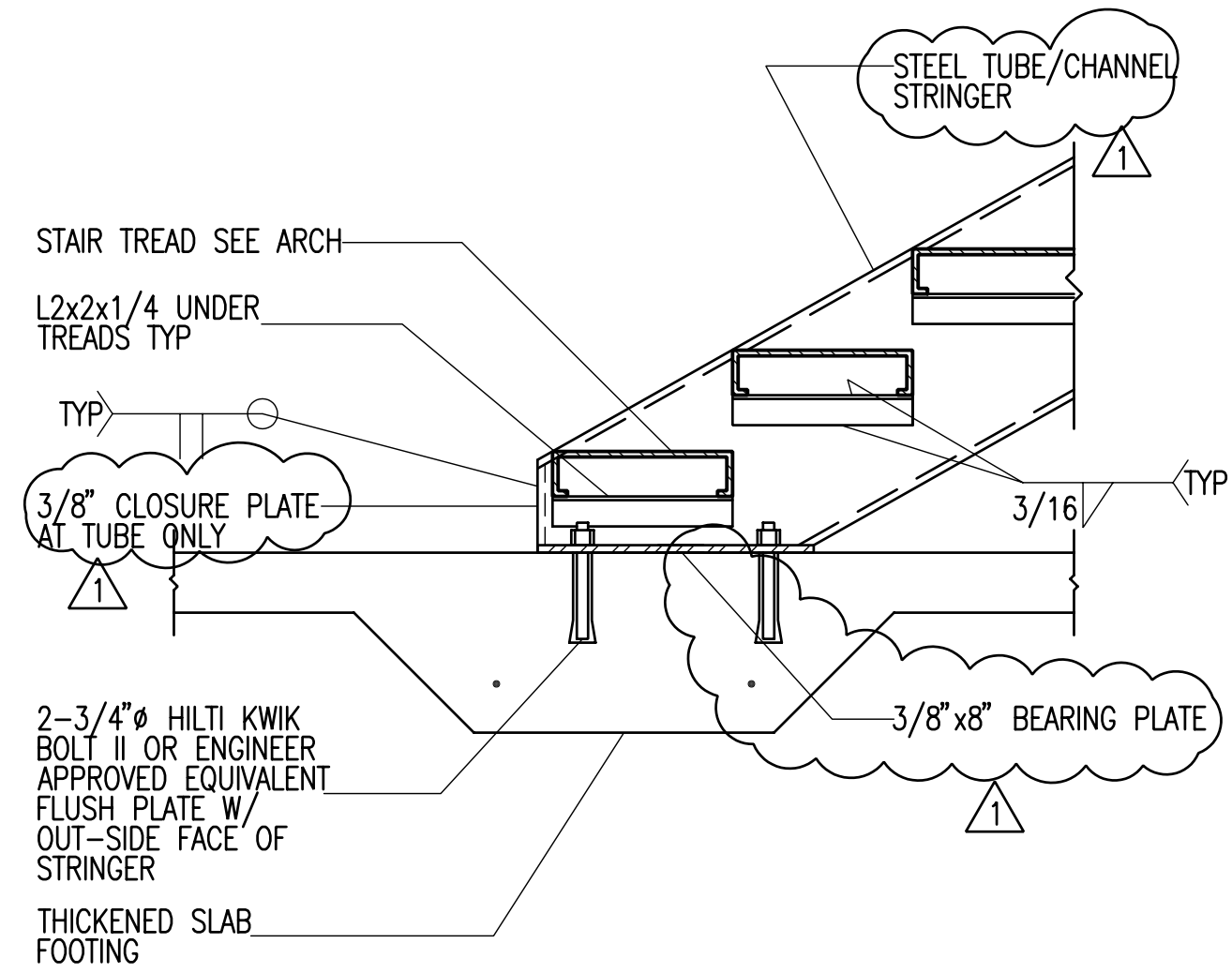
**A1** STAIR STRINGER AT CANTILEVERED SUPPORT DETAIL  
SF511 NO SCALE  
2005-012A-SF511/A1



**A2** STAIR STRINGER AT P.T. SLAB DETAIL  
SF511 NO SCALE  
2005-012A-SF511/A2



**A4** STAIR STRINGER DETAIL  
SF511 NO SCALE  
2005-012A-SF511/A4



**A5** STAIR STRINGER AT SLAB ON GRADE DETAIL  
SF511 NO SCALE  
2005-012A-SF511/A5