

**NOTES:**

**1. TRENCH ZONE**

WATER MAIN, FIRE LINE, AND APPURTENANCES:

BACKFILL AND COMPACT PER PCMC DESIGN STANDARDS AND CONSTRUCTION SPECIFICATIONS UNLESS OTHERWISE REQUIRED BY SPECIAL CONDITIONS

WATER SERVICE - NEW PAVEMENT AND LANDSCAPE AREA:

BACKFILL AND COMPACT PER PCMC DESIGN STANDARDS AND CONSTRUCTION SPECIFICATIONS UNLESS OTHERWISE REQUIRED BY SPECIAL CONDITIONS

WATER SERVICE - EXISTING ROADWAY AND PAVED AREA:

BACKFILL TO PAVEMENT DEPTH WITH CONTROLLED LOW-STRENGTH MATERIAL (CLSM), "FLOWABLE FILL", 100 PSI MINIMUM AND 150 PSI MAXIMUM MIX DESIGN.

**2. PIPE ZONE**

WATER MAIN, FIRE LINE, AND APPURTENANCES:

SAND OR 3/4" ROADBASE COMPACT TO 96% OF MODIFIED PROCTOR DENSITY

WATER SERVICE:

SAND COMPACTED TO 96% OF MODIFIED PROCTOR DENSITY

**3. PIPE BEDDING**

WATER MAIN, FIRE LINE, AND APPURTENANCES:

SAND OR 3/4" ROADBASE COMPACT TO 96% OF MODIFIED PROCTOR DENSITY

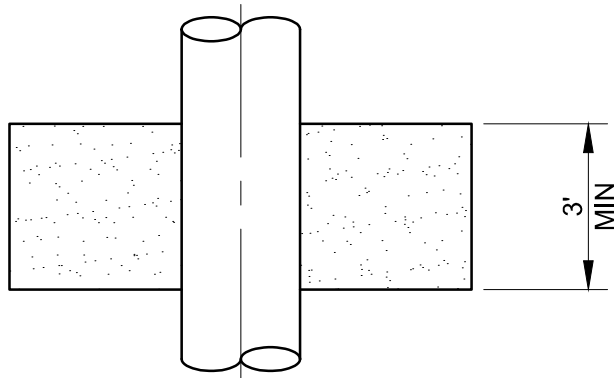
WATER SERVICE:

SAND COMPACTED TO 96% OF MODIFIED PROCTOR DENSITY

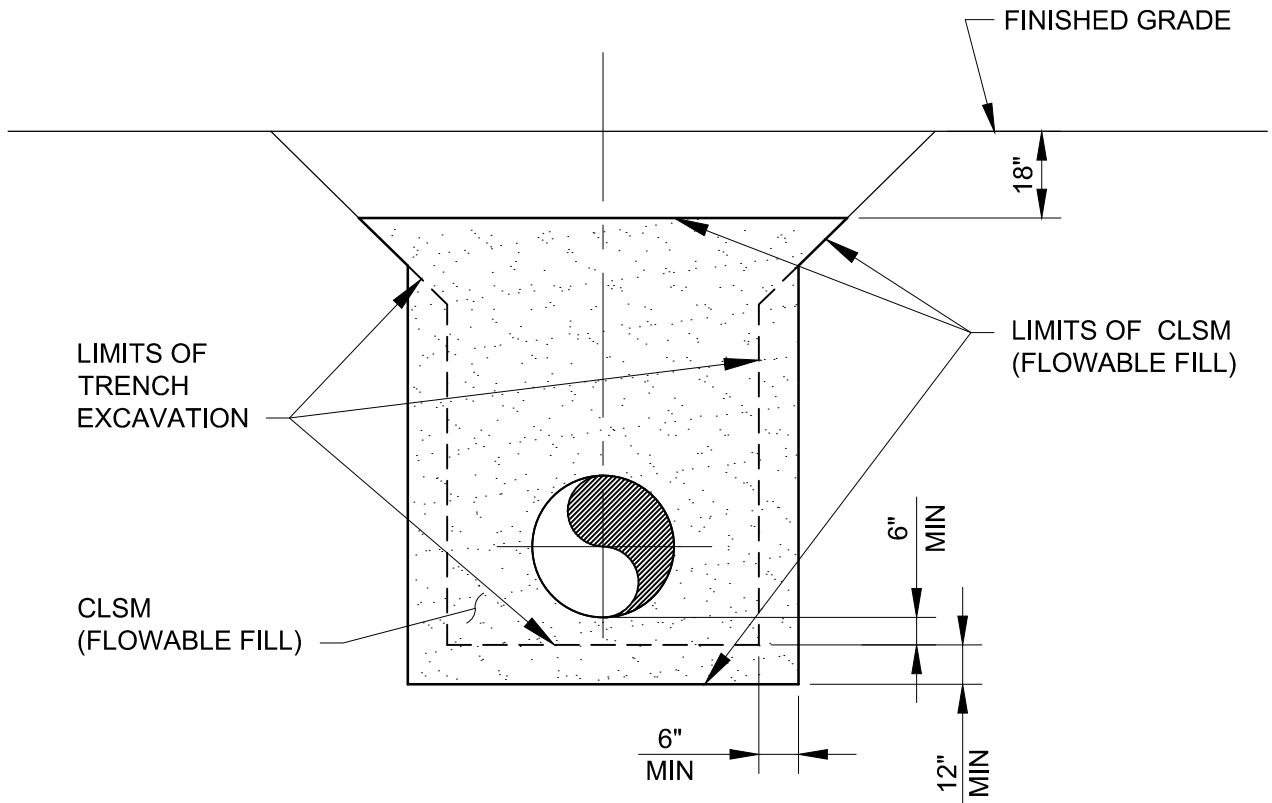
**4. PROVIDE TRENCH PLATING AS REQUIRED FOR CLSM BACKFILL INSTALLATIONS**

**5. COMPLY WITH APPLICABLE PARK CITY SOILS ORDINANCE REQUIREMENTS**

 PARK CITY MUNICIPAL CORPORATION <b>WATER</b>	DATE	<b>WATER TRENCH BEDDING AND BACKFILL</b>	STD. PLAN
	3/2014		<b>580</b>
	REV.		
	0		



**PLAN**  
NTS



**SECTION**  
NTS

**NOTES:**

1. CLSM - CONTROLLED LOW STRENGTH MATERIAL, DESIGN MIX 100-150 PSI



PARK CITY MUNICIPAL CORPORATION  
**WATER**

DATE

3/2014

REV.

0

**WATER TRENCH  
CUT-OFF WALL**

STD. PLAN

**581**